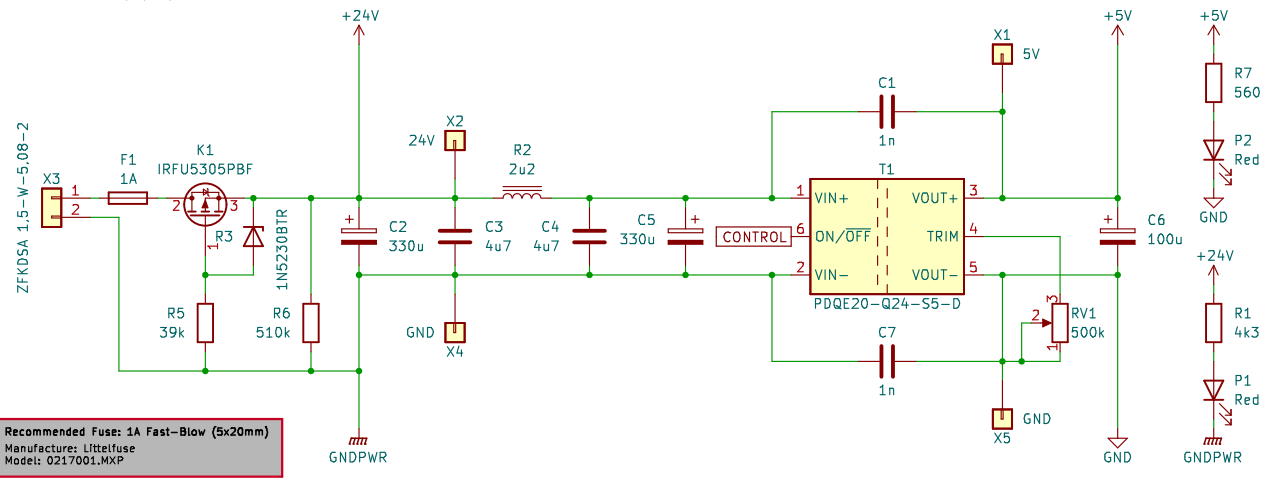
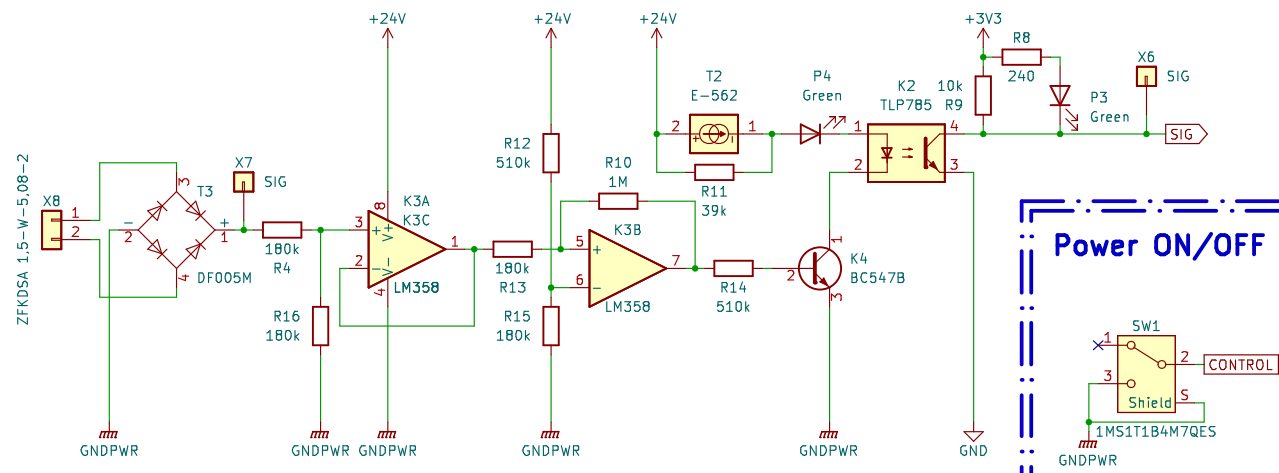


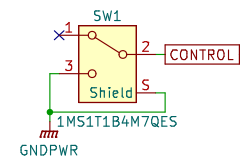
Power Supply



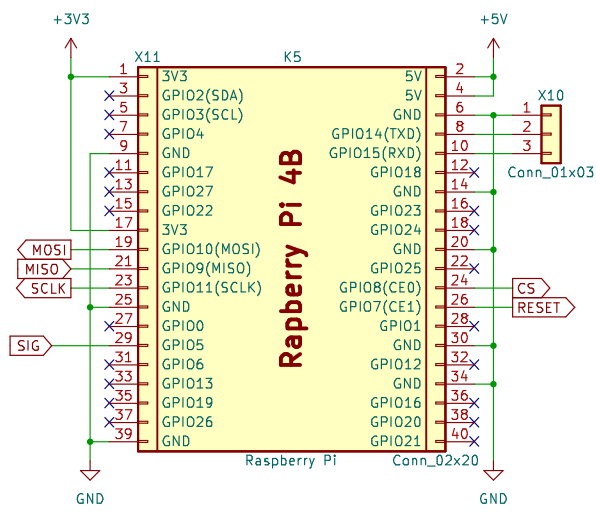
Signal Input



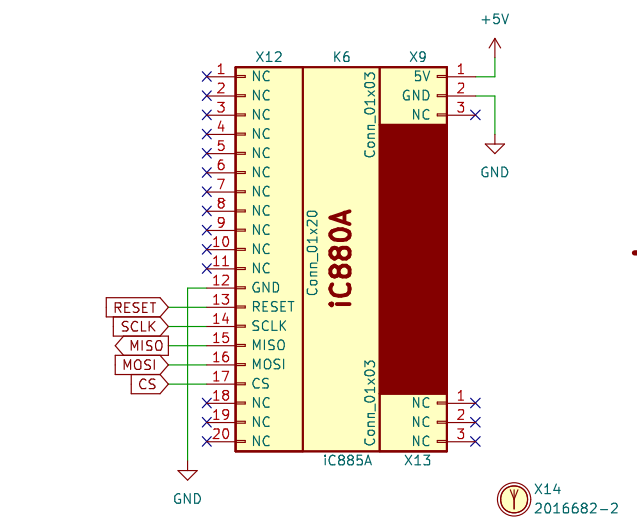
Power ON/OFF




Raspberry Pi



LoRa-WAN Controller



Responsible dept. EMW ES-LAB	Technical reference DIN 40719-2, DIN EN 60664-1, DIN EN 61010-1	Created by Tobias Müller, M.Eng.	Approved by Tobias Müller, M.Eng.
 HOCHSCHULE ANHALT University of Applied Sciences		Document type Schematic-Design	Document status work in progress
		Title LoRa-WAN Wind Power Control	Supplementary title Power & Signal
Rev. 1.0	Date of issue 2023-10-25	Lang. EN	Sheet 1/1