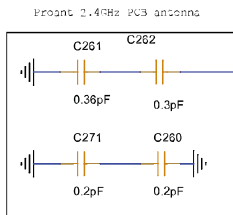
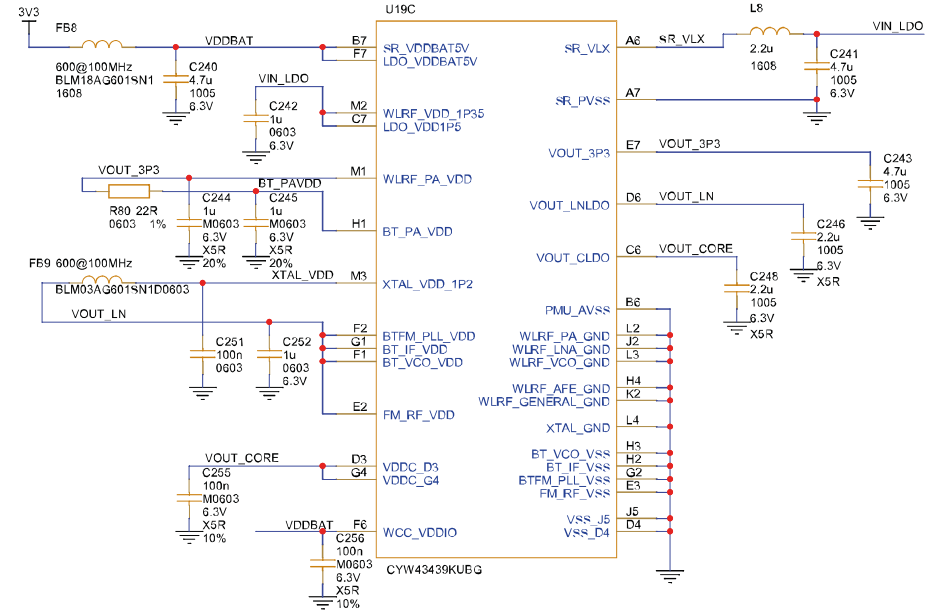
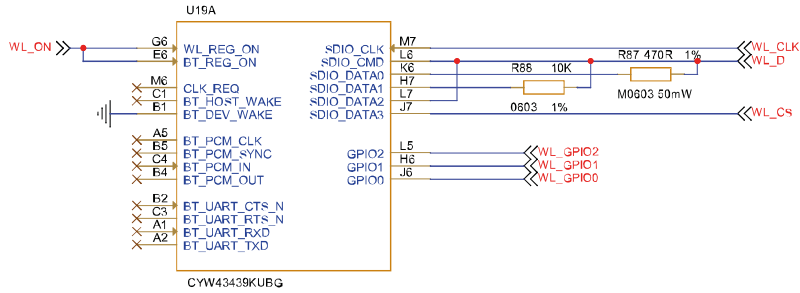


ADC GPIO pins have diode to VDDIO (other GPIO do not)
 FET stops leakage through ADC3 pin diode into 3V3 net
 when 3V3 supply is off (VSYS present but 3V3_EN low)

Raspberry Pi © Raspberry Pi 2022
 www.raspberrypi.com

Title: Raspberry Pi Pico W		Drawn By: Dominic Plunkett	
Size: A3	Ref: RPI-Pico W	Rev: 3	
Date: Tuesday, May 17, 2022	Sheet: 1 of 1		



The Niche is an Abricon/Proant patented antenna technology. Please contact niche@abricon.com for information on licensing.
 Further contact information:
 See www.abricon.com

