

1 2 3 4

A

A

B

B

C

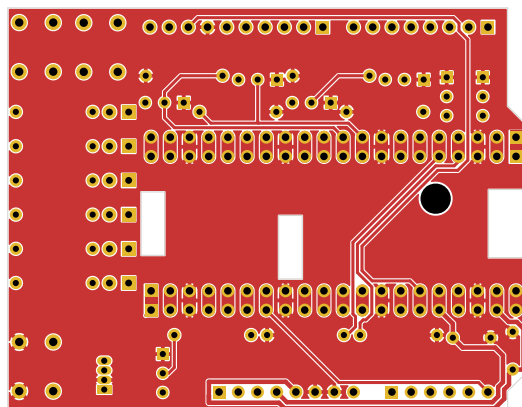
C

D

D

E

E



Responsible dept. EMW   ES-LAB	Technical reference DIN 40719-2, DIN EN 60664-1, DIN EN 61010-1	Created by Tobias Müller, M.Eng.	Approved by Tobias Müller, M.Eng.
-----------------------------------	---	-------------------------------------	--------------------------------------

 <p><b>HOCHSCHULE ANHALT</b> University of Applied Sciences</p>	Document type PCB-Design	Document status ready to manufacture
--	-----------------------------	---

 <p><b>HOCHSCHULE ANHALT</b> University of Applied Sciences</p>	Title <b>Raspberry Pi Pico Arduino Shield</b>	Supplementary title <i>Printed Circuit Board</i>	
--	--	---	--

Rev. V1.1	Date of issue 2024-08-20	Lang. EN	Sheet 1/1
--------------	-----------------------------	-------------	--------------

1 2 3 4

F

F

1 2 3 4

A

A

B

B

C

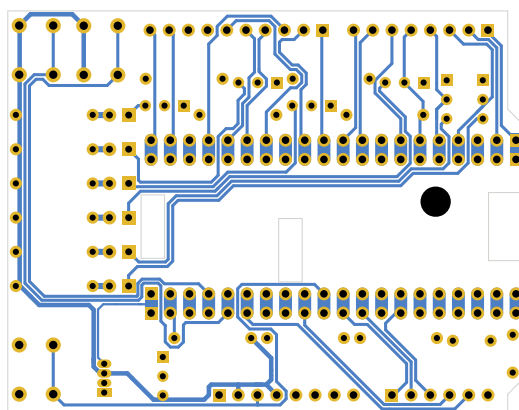
C

D

D

E

E



Responsible dept. EMW   ES-LAB	Technical reference DIN 40719-2, DIN EN 60664-1, DIN EN 61010-1	Created by Tobias Müller, M.Eng.	Approved by Tobias Müller, M.Eng.
-----------------------------------	---	-------------------------------------	--------------------------------------

 <b>HOCHSCHULE ANHALT</b> University of Applied Sciences	Document type PCB-Design	Document status ready to manufacture
---	-----------------------------	---

 <b>HOCHSCHULE ANHALT</b> University of Applied Sciences	Title <b>Raspberry Pi Pico Arduino Shield</b>	Supplementary title <b>Printed Circuit Board</b>		
---	--	---	--	--

			Rev. V1.1	Date of issue 2024-08-20	Lang. EN	Sheet 1/1
--	--	--	--------------	-----------------------------	-------------	--------------

1 2 3 4

F

F

1 2 3 4

A

A

B

B

C

C

D

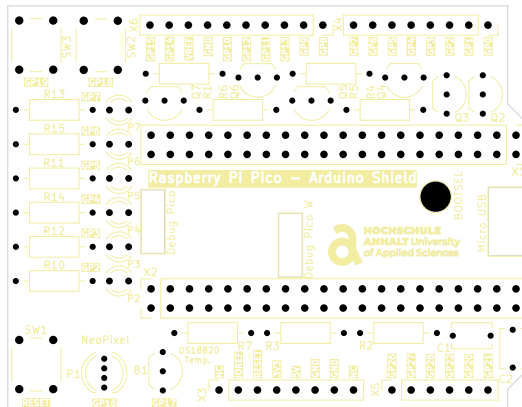
D

E

E

F

F



Responsible dept.  
EMW | ES-LAB

Technical reference  
DIN 40719-2, DIN EN 60664-1,  
DIN EN 61010-1

Created by  
Tobias Müller, M.Eng.

Approved by  
Tobias Müller, M.Eng.



**HOCHSCHULE ANHALT** University of Applied Sciences

Document type  
PCB-Design

Document status  
ready to manufacture

Title  
**Raspberry Pi Pico  
Arduino Shield**

Supplementary title  
**Printed Circuit Board**

Rev.	Date of issue	Lang.	Sheet
V1.1	2024-08-20	EN	1/1

1 2 3 4

1 2 3 4

A

A

B

B

C

C

D

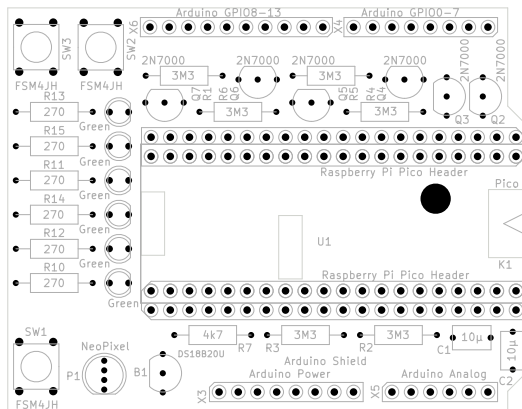
D

E

E

F

F



Responsible dept. EMW   ES-LAB	Technical reference DIN 40719-2, DIN EN 60664-1, DIN EN 61010-1	Created by Tobias Müller, M.Eng.	Approved by Tobias Müller, M.Eng.
-----------------------------------	---	-------------------------------------	--------------------------------------

 <b>HOCHSCHULE ANHALT</b> University of Applied Sciences	Document type PCB-Design	Document status ready to manufacture
---	-----------------------------	---

	Title <b>Raspberry Pi Pico Arduino Shield</b>	Supplementary title <b>Printed Circuit Board</b>
--	--	---

Rev. V1.1	Date of issue 2024-08-20	Lang. EN	Sheet 1/1
--------------	-----------------------------	-------------	--------------

1 2 3 4