

1 2 3 4

A

A

B

B

C

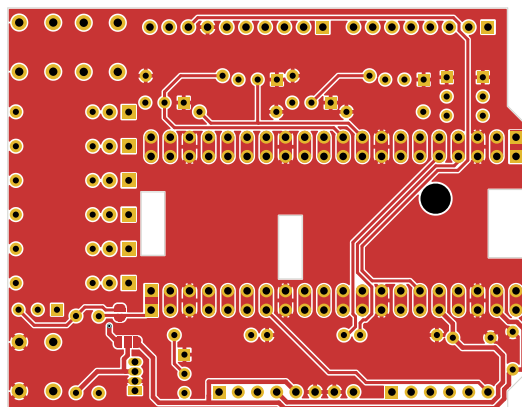
C

D

D


E

E



F

F

Responsible dept. EMW ES-LAB	Technical reference DIN 40719-2, DIN EN 60664-1, DIN EN 61010-1	Created by Tobias Müller, M.Eng.	Approved by Tobias Müller, M.Eng.	
 HOCHSCHULE ANHALT University of Applied Sciences		Document type PCB-Design	Document status ready to manufacture	
		Title Raspberry Pi Pico Arduino Shield	Supplementary title Printed Circuit Board	
		Rev. V1.0	Date of issue 2023-09-11	Lang. EN

1 2 3 4

1 2 3 4

A

A

B

B

C

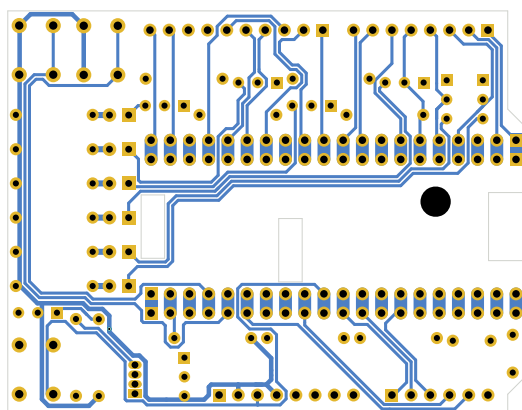
C

D

D


E

E



F

F

Responsible dept. EMW ES-LAB	Technical reference DIN 40719-2, DIN EN 60664-1, DIN EN 61010-1	Created by Tobias Müller, M.Eng.	Approved by Tobias Müller, M.Eng.	
 HOCHSCHULE ANHALT University of Applied Sciences		Document type PCB-Design	Document status ready to manufacture	
		Title Raspberry Pi Pico Arduino Shield	Supplementary title <i>Printed Circuit Board</i>	
			Rev. V1.0	Date of issue 2023-09-11

1 2 3 4

1 2 3 4

A

A

B

B

C

C

D

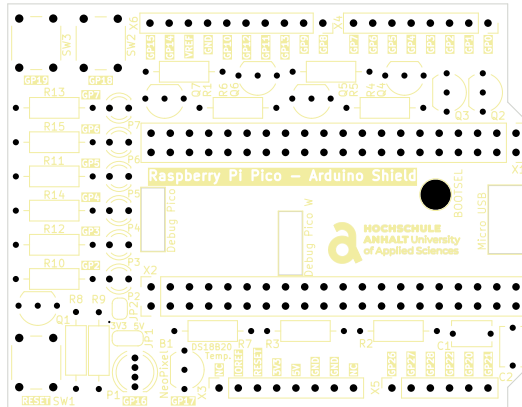
D

E

E

F

F



Responsible dept.
EMW | ES-LAB

Technical reference
DIN 40719-2, DIN EN 60664-1,
DIN EN 61010-1

Created by
Tobias Müller, M.Eng.

Approved by
Tobias Müller, M.Eng.



HOCHSCHULE ANHALT University of Applied Sciences

Document type
PCB-Design

Document status
ready to manufacture

Title
**Raspberry Pi Pico
Arduino Shield**

Supplementary title
Printed Circuit Board

Rev. V1.0	Date of issue 2023-09-11	Lang. EN	Sheet 1/1
--------------	-----------------------------	-------------	--------------

1 2 3 4

1 2 3 4

A

A

B

B

C

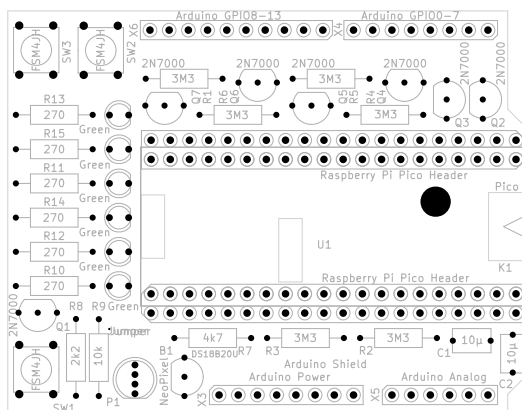
C

D

D

E

E



Responsible dept.
EMW | ES-LAB

Technical reference
DIN 40719-2, DIN EN 60664-1,
DIN EN 61010-1

Created by
Tobias Müller, M.Eng.

Approved by
Tobias Müller, M.Eng.



Document type
PCB-Design

Document status
ready to manufacture

Title
Raspberry Pi Pico
Arduino Shield

Supplementary title
Printed Circuit Board

Rev.	Date of issue	Lang.	Sheet
V1.0	2023-09-11	EN	1/1

1 2 3 4

F

F