

Raspberry Pi Pico C/C++ SDK

Libraries and tools for
C/C++ development on
RP2040 microcontrollers

Colophon

Copyright © 2020-2023 Raspberry Pi Ltd (formerly Raspberry Pi (Trading) Ltd.)

The documentation of the RP2040 microcontroller is licensed under a Creative Commons [Attribution-NoDerivatives 4.0 International](#) (CC BY-ND).

build-date: 2023-06-14

build-version: a6fe703-clean

About the SDK

Throughout the text "the SDK" refers to our [Raspberry Pi Pico SDK](#). More details about the SDK can be found throughout this book. Source code included in the documentation is Copyright © 2020-2023 Raspberry Pi Ltd (formerly Raspberry Pi (Trading) Ltd.) and licensed under the [3-Clause BSD](#) license.

Legal disclaimer notice

TECHNICAL AND RELIABILITY DATA FOR RASPBERRY PI PRODUCTS (INCLUDING DATASHEETS) AS MODIFIED FROM TIME TO TIME ("RESOURCES") ARE PROVIDED BY RASPBERRY PI LTD ("RPL") "AS IS" AND ANY EXPRESS OR IMPLIED WARRANTIES, INCLUDING, BUT NOT LIMITED TO, THE IMPLIED WARRANTIES OF MERCHANTABILITY AND FITNESS FOR A PARTICULAR PURPOSE ARE DISCLAIMED. TO THE MAXIMUM EXTENT PERMITTED BY APPLICABLE LAW IN NO EVENT SHALL RPL BE LIABLE FOR ANY DIRECT, INDIRECT, INCIDENTAL, SPECIAL, EXEMPLARY, OR CONSEQUENTIAL DAMAGES (INCLUDING, BUT NOT LIMITED TO, PROCUREMENT OF SUBSTITUTE GOODS OR SERVICES; LOSS OF USE, DATA, OR PROFITS; OR BUSINESS INTERRUPTION) HOWEVER CAUSED AND ON ANY THEORY OF LIABILITY, WHETHER IN CONTRACT, STRICT LIABILITY, OR TORT (INCLUDING NEGLIGENCE OR OTHERWISE) ARISING IN ANY WAY OUT OF THE USE OF THE RESOURCES, EVEN IF ADVISED OF THE POSSIBILITY OF SUCH DAMAGE.

RPL reserves the right to make any enhancements, improvements, corrections or any other modifications to the RESOURCES or any products described in them at any time and without further notice.

The RESOURCES are intended for skilled users with suitable levels of design knowledge. Users are solely responsible for their selection and use of the RESOURCES and any application of the products described in them. User agrees to indemnify and hold RPL harmless against all liabilities, costs, damages or other losses arising out of their use of the RESOURCES.

RPL grants users permission to use the RESOURCES solely in conjunction with the Raspberry Pi products. All other use of the RESOURCES is prohibited. No licence is granted to any other RPL or other third party intellectual property right.

HIGH RISK ACTIVITIES. Raspberry Pi products are not designed, manufactured or intended for use in hazardous environments requiring fail safe performance, such as in the operation of nuclear facilities, aircraft navigation or communication systems, air traffic control, weapons systems or safety-critical applications (including life support systems and other medical devices), in which the failure of the products could lead directly to death, personal injury or severe physical or environmental damage ("High Risk Activities"). RPL specifically disclaims any express or implied warranty of fitness for High Risk Activities and accepts no liability for use or inclusions of Raspberry Pi products in High Risk Activities.

Raspberry Pi products are provided subject to RPL's [Standard Terms](#). RPL's provision of the RESOURCES does not expand or otherwise modify RPL's [Standard Terms](#) including but not limited to the disclaimers and warranties expressed in them.

Table of contents

Colophon	1
Legal disclaimer notice	1
1. About the SDK	6
1.1. Introduction	6
1.2. Anatomy of a SDK Application	6
2. SDK architecture	9
2.1. The Build System	9
2.2. Every Library is an INTERFACE	10
2.3. SDK Library Structure	11
2.3.1. Higher-level Libraries	11
2.3.2. Runtime Support (<code>pico_runtime</code> , <code>pico_standard_link</code>)	11
2.3.3. Hardware Support Libraries	12
2.3.4. Hardware Structs Library	13
2.3.5. Hardware Registers Library	14
2.3.6. TinyUSB Port	15
2.3.7. Wi-Fi on Pico W	15
2.3.8. Bluetooth on Pico W	16
2.4. Directory Structure	17
2.4.1. Locations of Files	17
2.5. Conventions for Library Functions	18
2.5.1. Function Naming Conventions	19
2.5.2. Return Codes and Error Handling	19
2.5.3. Use of Inline Functions	20
2.5.4. Builder Pattern for Hardware Configuration APIs	21
2.6. Customisation and Configuration Using Preprocessor variables	21
2.6.1. Preprocessor Variables via Board Configuration File	22
2.6.2. Preprocessor Variables Per Binary or Library via CMake	22
2.7. SDK Runtime	23
2.7.1. Standard Input/Output (<code>stdio</code>) Support	23
2.7.2. Floating-point Support	23
2.7.3. Hardware Divider	26
2.8. Multi-core support	27
2.9. Using C++	27
2.10. Next Steps	28
3. Using programmable I/O (PIO)	29
3.1. What is Programmable I/O (PIO)?	29
3.1.1. Background	29
3.1.2. I/O Using dedicated hardware on your PC	29
3.1.3. I/O Using dedicated hardware on your Raspberry Pi or microcontroller	29
3.1.4. I/O Using software control of GPIOs (" <i>bit-banging</i> ")	30
3.1.5. Programmable I/O Hardware using FPGAs and CPLDs	31
3.1.6. Programmable I/O Hardware using PIO	31
3.2. Getting started with PIO	32
3.2.1. A First PIO Application	32
3.2.2. A Real Example: WS2812 LEDs	36
3.2.3. PIO and DMA (A Logic Analyser)	43
3.2.4. Further examples	48
3.3. Using PIOASM, the PIO Assembler	48
3.3.1. Usage	49
3.3.2. Directives	49
3.3.3. Values	50
3.3.4. Expressions	51
3.3.5. Comments	51
3.3.6. Labels	51
3.3.7. Instructions	51

3.3.8. Pseudoinstructions	52
3.3.9. Output pass through	52
3.3.10. Language generators	53
3.4. PIO Instruction Set Reference	58
3.4.1. Summary	58
3.4.2. JMP	59
3.4.3. WAIT	60
3.4.4. IN	61
3.4.5. OUT	62
3.4.6. PUSH	63
3.4.7. PULL	63
3.4.8. MOV	64
3.4.9. IRQ	66
3.4.10. SET	67
4. Library documentation	69
Appendix A: App Notes	70
Attaching a 7 segment LED via GPIO	70
Wiring information	70
List of Files	70
Bill of Materials	72
DHT-11, DHT-22, and AM2302 Sensors	73
Wiring information	73
List of Files	74
Bill of Materials	76
Attaching a 16x2 LCD via TTL	76
Wiring information	77
List of Files	77
Bill of Materials	80
Attaching a microphone using the ADC	81
Wiring information	81
List of Files	82
Bill of Materials	83
Attaching a BME280 temperature/humidity/pressure sensor via SPI	84
Wiring information	84
List of Files	84
Bill of Materials	89
Attaching a MPU9250 accelerometer/gyroscope via SPI	89
Wiring information	89
List of Files	90
Bill of Materials	93
Attaching a MPU6050 accelerometer/gyroscope via I2C	93
Wiring information	93
List of Files	94
Bill of Materials	96
Attaching a 16x2 LCD via I2C	96
Wiring information	97
List of Files	97
Bill of Materials	100
Attaching a BMP280 temp/pressure sensor via I2C	101
Wiring information	101
List of Files	101
Bill of Materials	106
Attaching a LIS3DH Nano Accelerometer via I2C	106
Wiring information	107
List of Files	107
Bill of Materials	110
Attaching a MCP9808 digital temperature sensor via I2C	110
Wiring information	110
List of Files	111
Bill of Materials	113

Attaching a MMA8451 3-axis digital accelerometer via I2C	114
Wiring information	114
List of Files	114
Bill of Materials	117
Attaching an MPL3115A2 altimeter via I2C	117
Wiring information	118
List of Files	118
Bill of Materials	122
Attaching an OLED display via I2C	122
Wiring information	123
List of Files	124
Bill of Materials	134
Attaching a PA1010D Mini GPS module via I2C	135
Wiring information	135
List of Files	135
Bill of Materials	138
Attaching a PCF8523 Real Time Clock via I2C	139
Wiring information	139
List of Files	139
Bill of Materials	142
Interfacing 1-Wire devices to the Pico	143
Wiring information	143
Bill of materials	144
List of files	144
Communicating as master and slave via SPI	151
Wiring information	151
Outputs	152
List of Files	153
Bill of Materials	157
Appendix B: SDK configuration	158
Configuration Parameters	159
Appendix C: CMake build configuration	169
Configuration Parameters	169
Control of binary type produced (advanced)	170
Appendix D: Board configuration	171
Board Configuration	171
The Configuration files	171
Building applications with a custom board configuration	173
Available configuration parameters	173
Appendix E: Building the SDK API documentation	174
Appendix F: SDK release history	175
Release 1.0.0 (20/Jan/2021)	175
Release 1.0.1 (01/Feb/2021)	175
Boot Stage 2	175
Release 1.1.0 (05/Mar/2021)	175
Backwards incompatibility	176
Release 1.1.1 (01/Apr/2021)	176
Release 1.1.2 (07/Apr/2021)	176
Release 1.2.0 (03/Jun/2021)	176
New/improved Board headers	176
Updated TinyUSB to 0.10.1	176
Added CMSIS core headers	177
API improvements	177
General code improvements	179
SVD	179
pioasm	179
RTOS interoperability	179
CMake build changes	179
Boot Stage 2	179
Release 1.3.0 (02/Nov/2021)	179

Updated TinyUSB to 0.12.0	179
New Board Support	180
Updated SVD, <code>hardware_regs</code> , <code>hardware_structs</code>	180
Behavioural Changes	181
Other Notable Improvements	181
CMake build	183
pioasm	183
elf2uf2	183
Release 1.3.1 (18/May/2022)	183
New Board Support	183
Notable Library Changes/Improvements	184
Build	185
pioasm	185
elf2uf2	185
Release 1.4.0 (30/Jun/2022)	185
New Board Support	185
Wireless Support	185
Notable Library Changes/Improvements	186
Build	188
Release 1.5.0 (11/Feb/2023)	188
New Board Support	188
Library Changes/Improvements	188
New Libraries	191
Build	192
Bluetooth Support for Pico W (BETA)	192
Release 1.5.1 (14/Jun/2023)	193
Board Support	193
Library Changes/Improvements	193
New Libraries	194
Miscellaneous	195
Build	195
Bluetooth Support for Pico W	195
Appendix G: Documentation release history	197

Chapter 1. About the SDK

1.1. Introduction

The SDK (Software Development Kit) provides the headers, libraries and build system necessary to write programs for RP2040-based devices such as Raspberry Pi Pico in C, C++ or Arm assembly language.

The SDK is designed to provide an API and programming environment that is familiar both to non-embedded C developers and embedded C developers alike. A single program runs on the device at a time with a conventional `main()` method. Standard C/C++ libraries are supported along with APIs for accessing RP2040's hardware, including DMA, IRQs, and the wide variety fixed function peripherals and PIO (Programmable IO).

Additionally the SDK provides higher level libraries for dealing with timers, USB, synchronization and multi-core programming, along with additional high level functionality built using PIO such as audio. These libraries should be comprehensive enough that your application code rarely, if at all, needs to access hardware registers directly. However, if you do need or prefer to access the raw hardware, you will also find complete and fully-commented register definition headers in the SDK. There's no need to look up addresses in the datasheet.

The SDK can be used to build anything from simple applications, full fledged runtime environments such as MicroPython, to low level software such as RP2040's on-chip bootrom itself.

Looking to get started?

This book documents the SDK APIs, explains the internals and overall design of the SDK, and explores some deeper topics like using the PIO assembler to build new interfaces to external hardware. For a quick start with setting up the SDK and writing SDK programs, [Getting started with Raspberry Pi Pico](#) is the best place to start.

1.2. Anatomy of a SDK Application

Before going completely depth-first in our traversal of the SDK, it's worth getting a little breadth by looking at one of the SDK examples covered in [Getting started with Raspberry Pi Pico](#), in more detail.

Pico Examples: <https://github.com/raspberrypi/pico-examples/blob/master/blink/blink.c>

```
1 /**
2  * Copyright (c) 2020 Raspberry Pi (Trading) Ltd.
3  *
4  * SPDX-License-Identifier: BSD-3-Clause
5  */
6
7 #include "pico/stdlib.h"
8
9 int main() {
10 #ifndef PICO_DEFAULT_LED_PIN
11 #warning blink example requires a board with a regular LED
12 #else
13     const uint LED_PIN = PICO_DEFAULT_LED_PIN;
14     gpio_init(LED_PIN);
15     gpio_set_dir(LED_PIN, GPIO_OUT);
16     while (true) {
17         gpio_put(LED_PIN, 1);
18         sleep_ms(250);
19         gpio_put(LED_PIN, 0);
```

```

20     sleep_ms(250);
21     }
22 #endif
23 }

```

This program consists only of a single C file, with a single function. As with almost any C programming environment, the function called `main()` is special, and is the point where the language runtime first hands over control to your program, after doing things like initialising static variables with their values. In the SDK the `main()` function does not take any arguments. It's quite common for the `main()` function not to return, as is shown here.

i NOTE

The return code of `main()` is ignored by the SDK runtime, and the default behaviour is to hang the processor on exit.

At the top of the C file, we include a header called `pico/stdlib.h`. This is an umbrella header that pulls in some other commonly used headers. In particular, the ones needed here are `hardware/gpio.h`, which is used for accessing the general purpose IOs on RP2040 (the `gpio_xxx` functions here), and `pico/time.h` which contains, among other things, the `sleep_ms` function. Broadly speaking, a library whose name starts with `pico` provides high level APIs and concepts, or aggregates smaller interfaces; a name beginning with `hardware` indicates a thinner abstraction between your code and RP2040 on-chip hardware.

So, using mainly the `hardware_gpio` and `pico_time` libraries, this C program will blink an LED connected to GPIO25 on and off, twice per second, forever (or at least until unplugged). In the directory containing the C file (you can click the link above the source listing to go there), there is one other file which lives alongside it.

Directory listing of `pico-examples/blink`

```

blink
├── blink.c
└── CMakeLists.txt

0 directories, 2 files

```

The second file is a `CMake` file, which tells the SDK how to turn the C file into a binary application for an RP2040-based microcontroller board. Later sections will detail exactly what `CMake` is, and why it is used, but we can look at the contents of this file without getting mired in those details.

Pico Examples: <https://github.com/raspberrypi/pico-examples/blob/master/blink/CMakeLists.txt>

```

1 add_executable(blink
2     blink.c
3 )
4
5 # pull in common dependencies
6 target_link_libraries(blink pico_stdlib)
7
8 # create map/bin/hex file etc.
9 pico_add_extra_outputs(blink)
10
11 # add url via pico_set_program_url
12 example_auto_set_url(blink)

```

The `add_executable` function in this file declares that a program called `blink` should be built from the C file shown earlier. This is also the target name used to build the program: in the `pico-examples` repository you can say `make blink` in your build directory, and that name comes from *this* line. You can have multiple executables in a single project, and the `pico-examples` repository is one such project.

The `target_link_libraries` is pulling in the SDK functionality that our program needs. If you don't ask for a library, it doesn't appear in your program binary. Just like `pico/stdlib.h` is an umbrella header that includes things like `pico/time.h` and `hardware/gpio.h`, `pico_stdlib` is an umbrella *library* that makes libraries like `pico_time` and `hardware_gpio` available to your build, so that those headers can be included in the first place, and the extra C source files are compiled and linked. If you need less common functionality, like accessing the DMA hardware, you can call those libraries out here (e.g. listing `hardware_dma` before or after `pico_stdlib`).

We could end the CMake file here, and that would be enough to build the `blink` program. By default, the build will produce an ELF file (executable linkable format), containing all of your code and the SDK libraries it uses. You can load an ELF into RP2040's RAM or external flash through the Serial Wire Debug port, with a debugger setup like `gdb` and `openocd`. It's often easier to program your Raspberry Pi Pico or other RP2040 board directly over USB with BOOTSEL mode, and this requires a different type of file, called UF2, which serves the same purpose here as an ELF file, but is constructed to survive the rigours of USB mass storage transfer more easily. The `pico_add_extra_outputs` function declares that you want a UF2 file to be created, as well as some useful extra build output like disassembly and map files.

i NOTE

The ELF file is converted to a UF2 with an internal SDK tool called `elf2uf2`, which is bootstrapped automatically as part of the build process.

The `example_auto_set_url` function is to do with how you are able to read this source file in *this* document you are reading right now, and click links to take you to the listing on GitHub. You'll see this on the `pico-examples` applications, but it's not necessary on your own programs. You are seeing how the sausage is made.

Finally, a brief note on the `pico_stdlib` library. Besides common hardware and high-level libraries like `hardware_gpio` and `pico_time`, it also pulls in components like `pico_standard_link` – which contains linker scripts and `crt0` for SDK – and `pico_runtime`, which contains code running between `crt0` and `main()`, getting the system into a state ready to run code by putting things like clocks and resets in a safe initial state. These are incredibly low-level components that most users will not need to worry about. The reason they are mentioned is to point out that they are ultimately *explicit dependencies* of your program, and you can choose not to use them, whilst still building against the SDK and using things like the `hardware` libraries.

Chapter 2. SDK architecture

RP2040 is a powerful chip, and in particular was designed with a disproportionate amount of system RAM for its point in the microcontroller design space. However it *is* an embedded environment, so RAM, CPU cycles and program space are still at a premium. As a result the tradeoffs between performance and other factors (e.g. edge case error handling, runtime vs compile time configuration) are necessarily much more visible to the developer than they might be on other, higher level platforms.

The intention within the SDK has been for features to just work out of the box, with sensible defaults, but also to give the developer as much control and power as possible (if they want it) to fine tune every aspect of the application they are building and the libraries used.

The next few sections try to highlight some of the design decisions behind the SDK: the how and the why, as much as the what.

i NOTE

Some parts of this overview are quite technical or deal with very low-level parts of the SDK and build system. You might prefer to skim this section at first and then read it thoroughly at a later time, after writing a few SDK applications.

2.1. The Build System

The SDK uses **CMake** to manage the build. CMake is widely supported by IDEs (Integrated Development Environments), which can use a **CMakeLists.txt** file to discover source files and generate code autocompleting suggestions. The same **CMakeLists.txt** file provides a terse specification of how your application (or your project with many distinct applications) should be built, which CMake uses to generate a robust build system used by **make**, **ninja** or other build tools. The build system produced is customised for the platform (e.g. Windows, or a Linux distribution) and by any configuration variables the developer chooses.

[Section 2.6](#) shows how CMake can set configuration defines for a particular program, or based on which RP2040 *board* you are building for, to configure things like default pin mappings and features of SDK libraries. These defines are listed in [Appendix B](#), and Board Configuration files are covered in more detail in [Appendix D](#). Additionally [Appendix C](#) describes CMake variables you can use to control the functionality of the build itself.

Apart from being a widely used build system for C/C++ development, CMake is fundamental to the way the SDK is structured, and how applications are configured and built.

Pico Examples: <https://github.com/raspberrypi/pico-examples/blob/master/blink/CMakeLists.txt>

```
1 add_executable(blink
2     blink.c
3 )
4
5 # pull in common dependencies
6 target_link_libraries(blink pico_stdlib)
7
8 # create map/bin/hex file etc.
9 pico_add_extra_outputs(blink)
10
11 # add url via pico_set_program_url
12 example_auto_set_url(blink)
```

Looking here at the blink example, we are defining a new executable **blink** with a single source file **blink.c**, with a single dependency **pico_stdlib**. We also are using a SDK provided function **pico_add_extra_outputs** to ask additional files to be

produced beyond the executable itself (`.uf2`, `.hex`, `.bin`, `.map`, `.dis`).

The SDK builds an executable which is *bare metal*, i.e. it includes the entirety of the code needed to run on the device (other than floating point and other optimized code contained in the bootrom within RP2040).

`pico_stdlib` is an *INTERFACE* library and provides all of the rest of the code and configuration needed to compile and link the `blink` application. You will notice if you do a build of `blink` (<https://github.com/raspberrypi/pico-examples/blob/master/blink/blink.c>) that in addition to the single `blink.c` file, the inclusion of `pico_stdlib` causes about 40 other source files to be compiled to flesh out the `blink` application such that it can be run on RP2040.

2.2. Every Library is an INTERFACE

All libraries within the SDK are *INTERFACE* libraries. (Note this does not include the C/C++ standard libraries provided by the compiler). Conceptually, a CMake *INTERFACE* library is a collection of:

- Source files
- Include paths
- Compiler definitions (visible to code as `#defines`)
- Compile and link options
- Dependencies (on other *INTERFACE* libraries)

The *INTERFACE* libraries form a tree of dependencies, with each contributing source files, include paths, compiler definitions and compile/link options to the build. These are collected based on the libraries you have listed in your `CMakeLists.txt` file, and the libraries depended on by *those* libraries, and so on recursively. To build the application, each source file is compiled with the combined include paths, compiler definitions and options and linked into an executable according to the provided link options.

When building an executable with the SDK, all of the code for one executable, including the SDK libraries, is (re)compiled for *that* executable from source. Building in this way allows your build configuration to specify customised settings for those libraries (e.g. enabling/disabling assertions, setting the sizes of static buffers), on a *per-application* basis, at compile time. This allows for faster and smaller binaries, in addition of course to the ability to remove support for unwanted features from your executable entirely.

In the example `CMakeLists.txt` we declare a dependency on the (*INTERFACE*) library `pico_stdlib`. This *INTERFACE* library itself depends on other *INTERFACE* libraries (`pico_runtime`, `hardware_gpio`, `hardware_uart` and others). `pico_stdlib` provides all the basic functionality needed to get a simple application running and toggling GPIOs and printing to a UART, and the linker will garbage collect any functions you don't call, so this doesn't bloat your binary. We can take a quick peek into the directory structure of the `hardware_gpio` library, which our `blink` example uses to turn the LED on and off:

```
hardware_gpio
├── CMakeLists.txt
├── gpio.c
├── include
│   ├── hardware
│   └── gpio.h
```

Depending on the `hardware_gpio` *INTERFACE* library in your application causes `gpio.c` to be compiled and linked into your executable, and adds the `include` directory shown here to your search path, so that a `#include "hardware/gpio.h"` will pull in the correct header in your code.

INTERFACE libraries also make it easy to aggregate functionality into readily consumable chunks (such as `pico_stdlib`), which don't directly contribute any code, but depend on a handful of lower-level libraries that do. Like a metapackage, this lets you pull in a group of libraries related to a particular goal without listing them all by name.

! IMPORTANT

SDK functionality is grouped into separate **INTERFACE** libraries, and each **INTERFACE** library contributes the code *and* include paths for that library. Therefore you must declare a dependency on the **INTERFACE** library you need directly (or indirectly through another **INTERFACE** library) for the header files to be found during compilation of your source file (or for code completion in your IDE).

i NOTE

As all libraries within the SDK are **INTERFACE** libraries, we will simply refer to them as libraries or SDK libraries from now on.

2.3. SDK Library Structure

The full API listings are given in [Chapter 4](#); this chapter gives an overview of how SDK libraries are organised, and the relationships between them.

There are a number of layers of libraries within the SDK. This section starts with the highest-level libraries, which can be used in C or C++ applications, and navigates all the way down to the `hardware_regs` library, which is a comprehensive set of hardware definitions suitable for use in Arm assembly as well as C and C++, before concluding with a brief note on how the TinyUSB stack can be used from within the SDK.

2.3.1. Higher-level Libraries

These libraries (`pico_XXX`) provide higher-level APIs, concepts and abstractions. The APIs are listed in [High Level APIs](#). These may be libraries that have cross-cutting concerns between multiple pieces of hardware (for example the `sleep_` functions in `pico_time` need to concern themselves both with RP2040's timer hardware and with how processors enter and exit low power states), or they may be pure software infrastructure required for your program to run smoothly. This includes libraries for things like:

- Alarms, timers and time functions
- Multi-core support and synchronization primitives
- Utility functions and data structures

These libraries are generally built upon one or more underlying `hardware_` libraries, and often depend on each other.

i NOTE

More libraries will be forthcoming in the future (e.g. - Audio support (via PIO), DPI/VGA/MIPI Video support (via PIO) file system support, SDIO support via (PIO)), most of which are available but not yet fully supported/stable/documented in the [Pico Extras](#) GitHub repository.

2.3.2. Runtime Support (`pico_runtime`, `pico_standard_link`)

These are libraries that bundle functionality which is common to most RP2040-based applications. APIs are listed in [Runtime Infrastructure](#).

`pico_runtime` aggregates the libraries (listed in [pico_runtime](#)) that provide a familiar C environment for executing code, including:

- Runtime startup and initialization
- Choice of language level single/double precision floating point support (and access to the fast on-RP2040

implementations)

- Compact `printf` support, and mapping of `stdout`
- Language level `/` and `%` support for fast division using RP2040's hardware dividers
- The function `runtime_init()` which performs minimal hardware initialisation (e.g. default PLL and clock configuration), and calls functions with `constructor` attributes before entering `main()`

`pico_standard_link` encapsulates the standard linker setup needed to configure the type of application binary layout in memory, and link to any additional C and/or C++ runtime libraries. It also includes the default `crt0`, which provides the initial entry point from the flash second stage bootloader, contains the initial vector table (later relocated to RAM), and initialises static data and RAM-resident code if the application is running from flash.

i NOTE

There is more high-level discussion of `pico_runtime` in [Section 2.7](#)

💡 TIP

Both `pico_runtime` and `pico_standard_link` are included with `pico_stdlib`

2.3.3. Hardware Support Libraries

These are individual libraries (`hardware_XXX`) providing actual APIs for interacting with each piece of physical hardware/peripheral. They are lightweight and provide only thin abstractions. The APIs are listed in [Hardware APIs](#).

These libraries generally provide functions for configuring or interacting with the peripheral at a functional level, rather than accessing registers directly, e.g.

```
pio_sm_set_wrap(pio, sm, bottom, top);
```

rather than:

```
pio->sm[sm].execctrl =
    (pio->sm[sm].execctrl & ~(PIO_SM0_EXECCTRL_WRAP_TOP_BITS |
    PIO_SM0_EXECCTRL_WRAP_BOTTOM_BITS)) |
    (bottom << PIO_SM0_EXECCTRL_WRAP_BOTTOM_LSB) |
    (top << PIO_SM0_EXECCTRL_WRAP_TOP_LSB);
```

The `hardware_` libraries are intended to have a very minimal runtime cost. They generally do not require any or much RAM, and do not rely on other runtime infrastructure. In general their only dependencies are the `hardware_structs` and `hardware_regs` libraries that contain definitions of memory-mapped register layout on RP2040. As such they can be used by low-level or other specialized applications that don't want to use the rest of the SDK libraries and runtime.

i NOTE

`void pio_sm_set_wrap(PIO pio, uint sm, uint bottom, uint top) {}` is actually implemented as a `static inline` function in https://github.com/raspberrypi/pico-sdk/blob/master/src/rp2_common/hardware_pio/include/hardware/pio.h directly as shown above.

Using `static inline` functions is common in SDK header files because such methods are often called with parameters that have fixed known values at compile time. In such cases, the compiler is often able to fold the code down to a single register write (or in this case a read, AND with a constant value, OR with a constant value, and a write) with no function call overhead. This tends to produce much smaller and faster binaries.

2.3.3.1. Hardware Claiming

The hardware layer does provide one small abstraction which is the notion of claiming a piece of hardware. This minimal system allows registration of peripherals or parts of peripherals (e.g. DMA channels) that are in use, and the ability to atomically claim free ones at runtime. The common use of this system - in addition to allowing for safe runtime allocation of resources - provides a better runtime experience for catching software misconfigurations or accidental use of the same piece hardware by multiple independent libraries that would otherwise be very painful to debug.

2.3.4. Hardware Structs Library

The `hardware_structs` library provides a set of C structures which represent the memory mapped layout of RP2040 registers in the system address space. This allows you to replace something like the following (which you'd write in C with the defines from the lower-level `hardware_regs`)

```
*(volatile uint32_t *) (PIO0_BASE + PIO_SM1_SHIFTCTRL_OFFSET) |= PIO_SM1_SHIFTCTRL_AUTOPULL_BITS;
```

with something like this (where `pio0` is a pointer to type `pio_hw_t` at address `PIO0_BASE`):

```
pio0->sm[1].shiftctrl |= PIO_SM1_SHIFTCTRL_AUTOPULL_BITS;
```

The structures and associated pointers to memory mapped register blocks hide the complexity and potential error-prone-ness of dealing with individual memory locations, pointer casts and volatile access. As a bonus, the structs tend to produce better code with older compilers, as they encourage the reuse of a base pointer with offset load/stores, instead of producing a 32 bit literal for every register accessed.

The struct headers are named consistently with both the `hardware` libraries and the `hardware_regs` register headers. For example, if you access the `hardware_pio` library's functionality through `hardware/pio.h`, the `hardware_structs` library (a dependee of `hardware_pio`) contains a header you can include as `hardware/structs/pio.h` if you need to access a register directly, and this itself will pull in `hardware/regs/pio.h` for register field definitions. The PIO header is a bit lengthy to include here. `hardware/structs/pll.h` is a shorter example to give a feel for what these headers actually contain:

SDK: https://github.com/raspberrypi/pico-sdk/blob/master/src/rp2040/hardware_structs/include/hardware/structs/pll.h Lines 24 - 53

```
24 typedef struct {
25     _REG_(PLL_CS_OFFSET) // PLL_CS
26     // Control and Status
27     // 0x80000000 [31] : LOCK (0): PLL is locked
28     // 0x0000100 [8] : BYPASS (0): Passes the reference clock to the output instead of the
    divided VCO
29     // 0x0000003f [5:0] : REFDIV (1): Divides the PLL input reference clock
```

```

30     io_rw_32 cs;
31
32     _REG_(PLL_PWR_OFFSET) // PLL_PWR
33     // Controls the PLL power modes
34     // 0x00000020 [5] : VCOPD (1): PLL VCO powerdown
35     // 0x00000008 [3] : POSTDIVPD (1): PLL post divider powerdown
36     // 0x00000004 [2] : DSMPD (1): PLL DSM powerdown
37     // 0x00000001 [0] : PD (1): PLL powerdown
38     io_rw_32 pwr;
39
40     _REG_(PLL_FBDIV_INT_OFFSET) // PLL_FBDIV_INT
41     // Feedback divisor
42     // 0x0000ffff [11:0] : FBDIV_INT (0): see ctrl reg description for constraints
43     io_rw_32 fbdiv_int;
44
45     _REG_(PLL_PRIM_OFFSET) // PLL_PRIM
46     // Controls the PLL post dividers for the primary output
47     // 0x00070000 [18:16] : POSTDIV1 (0x7): divide by 1-7
48     // 0x00007000 [14:12] : POSTDIV2 (0x7): divide by 1-7
49     io_rw_32 prim;
50 } pll_hw_t;
51
52 #define pll_sys_hw ((pll_hw_t *)PLL_SYS_BASE)
53 #define pll_usb_hw ((pll_hw_t *)PLL_USB_BASE)

```

The structure contains the layout of the hardware registers in a block, and some defines bind that layout to the base addresses of the *instances* of that peripheral in the RP2040 global address map.

Additionally, you can use one of the atomic `set`, `clear`, or `xor` address aliases of a piece of hardware to *set*, *clear* or *toggle* respectively the specified bits in a hardware register (as opposed to having the CPU perform a read/modify/write); e.g:

```
hw_set_alias(pio0)->sm[1].shiftctrl = PIO_SM1_SHIFTCTRL_AUTOPULL_BITS;
```

Or, equivalently

```
hw_set_bits(&pio0->sm[1].shiftctrl, PIO_SM1_SHIFTCTRL_AUTOPULL_BITS);
```

i NOTE

The hardware atomic set/clear/XOR IO aliases are used extensively in the SDK libraries, to avoid certain classes of data race when two cores, or an IRQ and foreground code, are accessing registers concurrently.

i NOTE

On RP2040 the atomic register aliases are a native part of the *peripheral*, not a CPU function, so the system DMA can also perform atomic set/clear/XOR operation on registers.

2.3.5. Hardware Registers Library

The `hardware_regs` library is a complete set of include files for all RP2040 registers, autogenerated from the hardware itself. This is all you need if you want to peek or poke a memory mapped register directly, however higher level libraries provide more user friendly ways of achieving what you want in C/C++.

For example, here is a snippet from `hardware/regs/sio.h`:

```

// Description   : Single-cycle IO block
//               : Provides core-local and inter-core hardware for the two
//               : processors, with single-cycle access.
// =====
#ifndef HARDWARE_REGS_SIO_DEFINED
#define HARDWARE_REGS_SIO_DEFINED
// =====
// Register     : SIO_CPUID
// Description  : Processor core identifier
//               : Value is 0 when read from processor core 0, and 1 when read
//               : from processor core 1.
#define SIO_CPUID_OFFSET 0x00000000
#define SIO_CPUID_BITS  0xffffffff
#define SIO_CPUID_RESET "-"
#define SIO_CPUID_MSB   31
#define SIO_CPUID_LSB   0
#define SIO_CPUID_ACCESS "RO"

#endif

```

These header files are fairly heavily commented (the same information as is present in the datasheet register listings, or the SVD files). They define the offset of every register, and the layout of the fields in those registers, as well as the access type of the field, e.g. "RO" for read-only.

TIP

The headers in `hardware_regs` contain *only* comments and `#define` statements. This means they can be included from assembly files (`.S`, so the C preprocessor can be used), as well as C and C++ files.

2.3.6. TinyUSB Port

In addition to the core SDK libraries, we provide a RP2040 port of TinyUSB as the standard device and host USB support library within the SDK, and the SDK contains some build infrastructure for easily pulling this into your application.

The `tinysub_dev` or `tinysub_host` libraries within the SDK can be included in your application dependencies in `CMakeLists.txt` to add device or host support to your application respectively. Additionally, the `tinysub_board` library is available to provide the additional "board support" code often used by TinyUSB demos. See the README in [Pico Examples](#) for more information and example code for setting up a fully functional application.

IMPORTANT

RP2040 USB hardware supports both Host and Device modes, but the two can not be used concurrently.

2.3.7. Wi-Fi on Pico W

The IP support within the Pico SDK is provided by [lwIP](#). The lwIP *raw* API is always supported: the full API, including blocking sockets, may be used under FreeRTOS or FreeRTOS SMP.

There are a number of different library building blocks used within the IP and Wi-Fi support: `pico_lwip` for lwIP, `pico_cyw43_driver` for the Wi-Fi chip driver, `pico_async_context` for accessing the non-thread-safe API (lwIP) in a consistent way whether polling, using multiple cores, or running FreeRTOS.

! IMPORTANT

By default `libcyw43` is licensed for non-commercial use, but users of Raspberry Pi Pico W, Pico WH, or anyone else who builds their product around RP2040 and CYW43439, benefit from a free [commercial-use licence](#).

These libraries can be composed individually by advanced users, but in most common cases they are rolled into a few convenience libraries that you can add to your application's dependencies in `CMakeLists.txt`:

- `pico_cyw43_arch_lwip_poll` - For single-core, traditional polling-style access to lwIP on Pico W.
- `pico_cyw43_arch_threadsafe_background` - For single or multicore access to lwIP on Pico W, with lwIP callbacks handled in a low-priority interrupt, so no polling is required.
- `pico_cyw43_arch_lwip_sys_freertos` - For full access to the lwIP APIs (`NO_SYS=0`) under FreeRTOS or FreeRTOS SMP.

For fuller details see the [pico_cyw43_arch header file](#). Many examples of using Wi-Fi and lwIP with the Pico SDK may be found in [the pico-examples repository](#).

2.3.8. Bluetooth on Pico W

The Bluetooth support within the Pico SDK is provided by [BTstack](#). Documentation for BTstack can be found [on BlueKitchen's website](#).

! IMPORTANT

In addition to the [standard BTstack licensing](#) terms, a [supplemental licence](#) which covers commercial use of BTstack with Raspberry Pi Pico W or Raspberry Pi Pico WH is provided.

See the [pico-examples](#) repository for Bluetooth examples including the [examples from BTstack](#).

The Bluetooth support within the SDK is composed of multiple libraries:

The `pico_btstack_ble` library adds the support needed for Bluetooth Low Energy (BLE), and the `pico_btstack_classic` library adds the support needed for Bluetooth Classic. You can link to either library individually, or to both libraries enabling the dual-mode support provided by BTstack.

The `pico_btstack_cyw43` library is required for Bluetooth use. It adds support for the Bluetooth hardware on the Pico W, and integrates the BTstack run loop concept with the SDK's `pico_async_context` library allowing for running Bluetooth either via polling or in the background, along with multicore and/or FreeRTOS support.

The following additional libraries are optional:

- `pico_btstack_sbc_encoder` - Adds Bluetooth Sub Band Coding (SBC) encoder support.
- `pico_btstack_sbc_decoder` - Adds Bluetooth Sub Band Coding (SBC) decoder support.
- `pico_btstack_bnep_lwip` - Adds Bluetooth Network Encapsulation Protocol (BNEP) support using lwIP.
- `pico_btstack_bnep_lwip_sys_freertos` - Adds Bluetooth Network Encapsulation Protocol (BNEP) support using lwIP with FreeRTOS in `NO_SYS=0` mode.

To use BTstack you must add `pico_btstack_cyw43` and one or both of `pico_btstack_ble` and `pico_btstack_classic` to your application dependencies in your `CMakeLists.txt`. Additionally, you need to provide a `btstack_config.h` file in your source tree and add its location to your include path. For more details, see BlueKitchen's documentation on [how to configure BTstack](#) and the relevant Bluetooth example code in the [pico-examples](#) repository.

The CMake function `pico_btstack_make_gatt_header` can be used to run the BTstack `compile_gatt` tool to make a GATT header file from a BTstack GATT file.

2.4. Directory Structure

We have discussed libraries such as `pico_stdlib` and `hardware_gpio` above. Imagine you wanted to add some code using RP2040's DMA controller to the `hello_world` example in `pico-examples`. To do this you need to add a dependency on another library, `hardware_dma`, which is not included by default by `pico_stdlib` (unlike, say, `hardware_uart`).

You would change your `CMakeLists.txt` to list both `pico_stdlib` and `hardware_dma` as dependencies of the `hello_world` target (executable). (Note the line breaks are not required)

```
target_link_libraries(hello_world
    pico_stdlib
    hardware_dma
)
```

And in your source code you would include the DMA hardware library header as such:

```
#include "hardware/dma.h"
```

Trying to include this header *without* listing `hardware_dma` as a dependency will fail, and this is due to how SDK files are organised into logical functional units on disk, to make it easier to add functionality in the future.

As an aside, this correspondence of `hardware_dma` → `hardware/dma.h` is the convention for *all* toplevel SDK library headers. The library is called `foo_bar` and the associated header is `foo/bar.h`. Some functions may be provided inline in the headers, others may be compiled and linked from additional `.c` files belonging to the library. Both of these require the relevant `hardware_` library to be listed as a dependency, either directly or through some higher-level bundle like `pico_stdlib`.

i NOTE

Some libraries have additional headers which are located in `foo/bar/other.h`

You may want to actually find the files in question (although most IDEs will do this for you). The on disk files are actually split into multiple top-level directories. This is described in the next section.

2.4.1. Locations of Files

Whilst you may be focused on building a binary to run specifically on Raspberry Pi Pico, which uses a RP2040, the SDK is structured in a more general way. This is for two reasons:

1. To support other future chips in the RP2 family
2. To support testing of your code off device (this is *host* mode)

The latter is useful for writing and running unit tests, but also as you develop your software, for example your debugging code or work in progress software might actually be too big or use too much RAM to fit on the device, and much of the software complexity may be non-hardware-specific.

The code is thus split into top level directories as follows:

Table 1. Top-level directories

Path	Description
<code>src/rp2040/</code>	This contains the <code>hardware_regs</code> and <code>hardware_structs</code> libraries mentioned earlier, which are specific to RP2040.

Path	Description
<code>src/rp2_common/</code>	This contains the <code>hardware_</code> library implementations for individual hardware components, and <code>pico_</code> libraries or library implementations that are closely tied to RP2040 hardware. This is separate from <code>/src/rp2040</code> as there may be future revisions of RP2040, or other chips in the RP2 family, which can use a common SDK and API whilst potentially having subtly different register definitions.
<code>src/common/</code>	This is code that is common to all builds. This is generally headers providing hardware abstractions for functionality which are simulated in host mode, along with a lot of the <code>pico_</code> library implementations which, to the extent they use hardware, do so only through the <code>hardware_</code> abstractions.
<code>src/host/</code>	This is a basic set of replacement SDK library implementations sufficient to get simple Raspberry Pi Pico applications running on your computer (Raspberry Pi OS, Linux, macOS or Windows using Cygwin or Windows Subsystem for Linux). This is not intended to be a fully functional simulator, however it is possible to inject additional implementations of libraries to provide more complete functionality.

There is a CMake variable `PICO_PLATFORM` that controls the environment you are building for:

When doing a regular RP2040 build (`PICO_PLATFORM=rp2040`, the default), you get code from `common`, `rp2_common` and `rp2040`; when doing a host build (`PICO_PLATFORM=host`), you get code from `common` and `host`.

Within each top-level directory, the libraries have the following structure (reading `foo_bar` as something like `hardware_uart` or `pico_time`)

```
top-level_dir/
top-level_dir/foo_bar/include/foo_bar.h      # header file
top-level_dir/foo_bar/CMakeLists.txt        # build configuration
top-level_dir/foo_bar/bar.c                 # source file(s)
```

As a concrete example, we can list the `hardware_uart` directory under `pico-sdk/rp2_common` (you may also recall the `hardware_gpio` library we looked at earlier):

```
hardware_uart
├── CMakeLists.txt
├── include
│   └── hardware
│       └── uart.h
└── uart.c
```

`uart.h` contains function declarations and preprocessor defines for the `hardware_uart` library, as well as some inline functions that are expected to be particularly amenable to constant folding by the compiler. `uart.c` contains the implementations of more complex functions, such as calculating and setting up the divisors for a given UART baud rate.

i NOTE

The directory `top-level_dir/foo_bar/include` is added as an include directory to the *INTERFACE* library `foo_bar`, which is what allows you to include `"foo_bar.h"` in your application

2.5. Conventions for Library Functions

This section covers some common patterns you will see throughout the SDK libraries, such as conventions for function

names, how errors are reported, and the approach used to efficiently configure hardware with many register fields without having unreadable numbers of function arguments.

2.5.1. Function Naming Conventions

SDK functions follow a common naming convention for consistency and to avoid name conflicts. Some names are quite long, but that is deliberate to be as specific as possible about functionality, and of course because the SDK API is a C API and does not support function overloading.

2.5.1.1. Name prefix

Functions are prefixed by the library/functional area they belong to; e.g. public functions in the `hardware_dma` library are prefixed with `dma_`. Sometime the prefix refers to a sub group of library functionality (e.g. `channel_config_`)

2.5.1.2. Verb

A verb typically follows the prefix specifying that action performed by the function. `set_` and `get_` (or `is_` for booleans) are probably the most common and should always be present; i.e. a hypothetical method would be `oven_get_temperature()` and `food_add_salt()`, rather than `oven_temperature()` and `food_salt()`.

2.5.1.3. Suffixes

2.5.1.3.1. Blocking/Non-Blocking Functions and Timeouts

Table 2. SDK Suffixes for (non-)blocking functions and timeouts.

Suffix	Param	Description
(none)		The method is non-blocking, i.e. it does not wait on any external condition that could potentially take a long time.
<code>_blocking</code>		The method is blocking, and may potentially block indefinitely until some specific condition is met.
<code>_blocking_until</code>	<code>absolute_time_t until</code>	The method is blocking until some specific condition is met, however it will return early with a timeout condition (see Section 2.5.2) if the <code>until</code> time is reached.
<code>_timeout_ms</code>	<code>uint32_t timeout_ms</code>	The method is blocking until some specific condition is met, however it will return early with a timeout condition (see Section 2.5.2) after the specified number of milliseconds
<code>_timeout_us</code>	<code>uint64_t timeout_us</code>	The method is blocking until some specific condition is met, however it will return early with a timeout condition (see Section 2.5.2) after the specified number of microseconds

2.5.2. Return Codes and Error Handling

As mentioned earlier, there is a decision to be made as to whether/which functions return error codes that can be handled by the caller, and indeed whether the caller is likely to actually do something in response in an embedded environment. Also note that very often return codes are there to handle parameter checking, e.g. when asked to do something with the 27th DMA channel (when there are actually only 12).

In many cases checking for obviously invalid (likely program bug) parameters in (often inline) functions is prohibitively

expensive in speed and code size terms, and therefore we need to be able to configure it on/off, which precludes return codes being returned for these exceptional cases.

The SDK follows two strategies:

1. Methods that can legitimately fail at runtime due to runtime conditions e.g. timeouts, dynamically allocated resource, can return a status which is either a `bool` indicating success or not, or an integer return code from the `PICO_ERROR_` family; non-error returns are `>= 0`.
2. Other items like invalid parameters, or failure to allocate resources which are deemed program bugs (e.g. two libraries trying to use the same statically assigned piece of hardware) do not affect a return code (usually the functions return `void`) and must cause some sort of exceptional event.

As of right now the exceptional event is a C `assert`, so these checks are always disabled in release builds by default. Additionally most of the calls to `assert` are disabled by default for code/size performance (even in debug builds); You can set `PARAM_ASSERTIONS_ENABLE_ALL=1` or `PARAM_ASSERTIONS_DISABLE_ALL=1` in your build to change the default across the entire SDK, or say `PARAM_ASSERTIONS_ENABLED_I2C=0/1` to explicitly specify the behavior for the `hardware_i2c` module

In the future we expect to support calling a custom function to throw an exception in C++ or other environments where stack unwinding is possible.

3. Obviously sometimes the calling code whether it be user code or another higher level function, may not want the called function to assert on bad input, in which case it is the responsibility of the caller to check the validity (there are a good number of API functions provided that help with this) of their arguments, and the caller can then choose to provide a more flexible runtime error experience.
4. Finally some code may choose to "panic" directly if it detects an invalid state. A "panic" involves writing a message to standard output and then halting (by executing a breakpoint instruction). Panicking is a good response when it is undesirable to even attempt to continue given the current situation.

2.5.3. Use of Inline Functions

SDK libraries often contain a mixture of `static inline` functions in header files, and non-static functions in C source files. In particular, the `hardware_` libraries are likely to contain a higher proportion of inline function definitions in their headers. This is done for speed and code size.

The code space needed to setup parameters for a regular call to a small function in another compilation unit can be substantially larger than the function implementation. Compilers have their own metrics to decide when to inline function implementations at their call sites, but the use of `static inline` definitions gives the compiler more freedom to do this.

One reason this is *particularly* effective in the context of hardware register access is that these functions often:

1. Have relatively many parameters, which
2. Are immediately shifted and masked to combine with some register value, and
3. Are often constants known at compile time

So if the implementation of a hardware access function is inlined, the compiler can propagate the constant parameters through whatever bit manipulation and arithmetic that function may do, collapsing a complex function down to "please write this constant value to this constant address". Again, we are not forcing the compiler to do this, but the SDK consistently tries to give it freedom to do so.

The result is that there is generally no overhead using the lower-level `hardware_` functions as compared with using preprocessor macros with the `hardware_regs` definitions, and they tend to be much less error-prone.

2.5.4. Builder Pattern for Hardware Configuration APIs

The SDK uses a *builder pattern* for the more complex configurations, which provides the following benefits:

1. Readability of code (avoid "death by parameters" where a configuration function takes a dozen integers and booleans)
2. Tiny runtime code (thanks to the compiler)
3. Less brittle (the addition of another item to a hardware configuration will not break existing code)

Take the following hypothetical code example to (quite extensively) configure a DMA channel:

```
int dma_channel = 3;
dma_channel_config config = dma_get_default_channel_config(dma_channel);
channel_config_set_read_increment(&config, true);
channel_config_set_write_increment(&config, true);
channel_config_set_dreq(&config, DREQ_SPI0_RX);
channel_config_set_transfer_data_size(&config, DMA_SIZE_8);
dma_set_config(dma_channel, &config, false);
```

The value of `dma_channel` is known at compile time, so the compiler can replace `dma_channel` with `3` when generating code (*constant folding*). The `dma_` methods are `static inline` methods (from https://github.com/raspberrypi/pico-sdk/blob/master/src/rp2_common/hardware_dma/include/hardware/dma.h) meaning the implementations can be folded into your code by the compiler and, consequently, your constant parameters (like `DREQ_SPI0_RX`) are propagated through this local copy of the function implementation. The resulting code is usually smaller, and certainly faster, than the register shuffling caused by setting up a function call.

The net effect is that the compiler actually reduces all of the above to the following code:

Effective code produced by the C compiler for the DMA configuration

```
*(volatile uint32_t *) (DMA_BASE + DMA_CH3_AL1_CTRL_OFFSET) = 0x00089831;
```

It may seem counterintuitive that building up the configuration by passing a `struct` around, and committing the final result to the IO register, would be so much more compact than a series of direct register modifications using register field accessors. This is because the compiler is customarily forbidden from eliminating IO accesses (illustrated here with a `volatile` keyword), with good reason. Consequently it's easy to unwittingly generate code that repeatedly puts a value into a register and pulls it back out again, changing a few bits at a time, when we only care about the final value of the register. The configuration pattern shown here avoids this common pitfall.

i NOTE

The SDK code is designed to make builder patterns efficient in both *Release* and *Debug* builds. Additionally, even if not all values are known constant at compile time, the compiler can still produce the most efficient code possible based on the values that are known.

2.6. Customisation and Configuration Using Preprocessor variables

The SDK allows use of compile time definitions to customize the behavior/capabilities of libraries, and to specify settings (e.g. physical pins) that are unlikely to be changed at runtime. This allows for much smaller more efficient code, and avoids additional runtime overheads and the inclusion of code for configurations you *might* choose at runtime even though you actually don't (e.g. support PWM audio when you are only using I2S)!

Remember that because of the use of *INTERFACE* libraries, all the libraries your application(s) depend on are built from source for each application in your build, so you can even build multiple variants of the same application with different baked in behaviors.

[Appendix B](#) has a comprehensive list of the available preprocessor defines, what they do, and what their default values are.

Preprocessor variables may be specified in a number of ways, described in the following sections.

i NOTE

Whether compile time configuration or runtime configuration or both is supported/required is dependent on the particular library itself. The general philosophy however, is to allow sensible default behavior without the user specifying any settings (beyond those provided by the board configuration).

2.6.1. Preprocessor Variables via Board Configuration File

Many of the common configuration settings are actually related to the particular RP2040 board being used, and include default pin settings for various SDK libraries. The board being used is specified via the `PICO_BOARD` CMake variable which may be specified on the CMake command line or in the environment. The default `PICO_BOARD` if not specified is `pico`.

The board configuration provides a header file which specifies defaults if not otherwise specified; for example <https://github.com/raspberrypi/pico-sdk/blob/master/src/boards/include/boards/pico.h> specifies

```
#ifndef PICO_DEFAULT_LED_PIN
#define PICO_DEFAULT_LED_PIN 25
#endif
```

The header `my_board_name.h` is included by all other SDK headers as a result of setting `PICO_BOARD=my_board_name`. You may wish to specify your own board configuration in which case you can set `PICO_BOARD_HEADER_DIRS` in the environment or CMake to a semicolon separated list of paths to search for `my_board_name.h`.

2.6.2. Preprocessor Variables Per Binary or Library via CMake

We could modify the https://github.com/raspberrypi/pico-examples/blob/master/hello_world/CMakeLists.txt with `target_compile_definitions` to specify an alternate set of UART pins to use.

Modified hello_world CMakeLists.txt specifying different UART pins

```
add_executable(hello_world
    hello_world.c
)

# SPECIFY two preprocessor definitions for the target hello_world
target_compile_definitions(hello_world PRIVATE
    PICO_DEFAULT_UART_TX_PIN=16
    PICO_DEFAULT_UART_RX_PIN=17
)

# Pull in our pico_stdlib which aggregates commonly used features
target_link_libraries(hello_world pico_stdlib)

# create map/bin/hex/uf2 file etc.
pico_add_extra_outputs(hello_world)
```

The `target_compile_definitions` specifies preprocessor definitions that will be passed to the compiler for every source file in the target `hello_world` (which as mentioned before includes *all* of the sources for all dependent *INTERFACE* libraries). `PRIVATE` is required by CMake to specify the scope for the compile definitions. Note that all preprocessor definitions used by the SDK have a `PICO_` prefix.

2.7. SDK Runtime

For those coming from non-embedded programming, or from other devices, this section will give you an idea of how various C/C++ language level concepts are handled within the SDK

2.7.1. Standard Input/Output (stdio) Support

The SDK runtime packages a lightweight `printf` library by Marco Paland, linked as `pico_printf`. It also contains infrastructure for routing `stdout` and `stdin` to various hardware interfaces, which is documented under `pico_stdio`:

- A UART interface specified by a board configuration header. The default for Raspberry Pi Pico is 115200 baud on GPIO0 (TX) and GPIO1 (RX)
- A USB CDC ACM virtual serial port, using TinyUSB's CDC support. The virtual serial device can be accessed through RP2040's dedicated USB hardware interface, in Device mode.
- (Experimental) minimal semihosting support to direct `stdout` to an external debug host connected via the Serial Wire Debug link on RP2040

These can be accessed using standard calls like `printf`, `puts`, `getchar`, found in the standard `<stdio.h>` header. By default, `stdout` converts bare linefeed characters to carriage return plus linefeed, for better display in a terminal emulator. This can be disabled at runtime, at build time, or the CR-LF support can be completely removed.

`stdout` is broadcast to all interfaces that are enabled, and `stdin` is collected from all interfaces which are enabled and support input. Since some of the interfaces, particularly USB, have heavy runtime and binary size cost, only the UART interface is included by default. You can add/remove interfaces for a given program at build time with e.g.

```
pico_enable_stdio_usb(target_name, 1)
```

2.7.2. Floating-point Support

The SDK provides a highly optimized single and double precision floating point implementation. In addition to being fast, many of the functions are actually implemented using support provided in the RP2040 bootrom. This means the interface from your code to the ROM floating point library has very minimal impact on your program size, certainly using dramatically less flash storage than including the standard floating point routines shipped with your compiler.

The physical ROM storage on RP2040 has single-cycle access (with a dedicated arbiter on the RP2040 busfabric), and accessing code stored here does not put pressure on the flash cache or take up space in memory, so not only are the routines fast, the rest of your code will run faster due them being resident in ROM.

This implementation is used by default as it is the best choice in the majority of cases, however it is also possible to switch to using the regular compiler soft floating point support.

2.7.2.1. Functions

The SDK provides implementations for all the standard functions from `math.h`. Additional functions can be found in `pico/float.h` and `pico/double.h`.

2.7.2.2. Speed/Tradeoffs

The overall goal for the bootrom floating-point routines is to achieve good performance within a small footprint, the emphasis being more on improved performance for the basic operations (add, subtract, multiply, divide and square root, and all conversion functions), and more on reduced footprint for the scientific functions (trigonometric functions, logarithms and exponentials).

The IEEE single- and double-precision data formats are used throughout, but in the interests of reducing code size, input denormals are treated as zero and output denormals are flushed to zero, and output NaNs are rendered as infinities. Only the round-to-nearest, even-on-tie rounding mode is supported. Traps are not supported. Whether input NaNs are treated as infinities or propagated is configurable.

The five basic operations (add, subtract, multiply, divide, sqrt) return results that are always correctly rounded (round-to-nearest).

The scientific functions always return results within 1 ULP (unit in last place) of the exact result. In many cases results are better.

The scientific functions are calculated using internal fixed-point representations so accuracy (as measured in ULP error rather than in absolute terms) is poorer in situations where converting the result back to floating point entails a large normalising shift. This occurs, for example, when calculating the sine of a value near a multiple of pi, the cosine of a value near an odd multiple of pi/2, or the logarithm of a value near 1. Accuracy of the tangent function is also poorer when the result is very large. Although covering these cases is possible, it would add considerably to the code footprint, and there are few types of program where accuracy in these situations is essential.

The following table shows the results from a benchmark

i NOTE

Whilst the SDK floating point support makes use of the routines in the RP2040 bootrom, it hides some of the limitations of the raw ROM functions (e.g. limited sin/cos range), in order to be largely indistinguishable from the compiler-provided functionality. Certain smaller functions have also been re-implemented for even more speed outside of the limited bootrom space.

Table 3. SDK implementation vs GCC 9 implementation for ARM AEABI floating point functions (these unusually named functions provide the support for basic operations on float and double types)

Function	ROM/SDK (μ s)	GCC 9 (μ s)	Performance Ratio
__aeabi_fadd	72.4	99.8	138%
__aeabi_fsub	86.7	133.6	154%
__aeabi_frsub	89.8	140.6	157%
__aeabi_fmul	61.5	145	236%
__aeabi_fdiv	74.7	437.5	586%
__aeabi_fcmlt	39	61.1	157%
__aeabi_fcmlpe	40.5	61.1	151%
__aeabi_fcmpgt	40.5	61.2	151%
__aeabi_fcmpge	41	61.2	149%
__aeabi_fcmpseq	40	41.5	104%
__aeabi_dadd	99.4	142.5	143%
__aeabi_dsub	114.2	182	159%
__aeabi_drsub	108	181.2	168%
__aeabi_dmul	168.2	338	201%
__aeabi_ddiv	197.1	412.2	209%

__aeabi_dcmplt	53	88.3	167%
__aeabi_dcuple	54.6	88.3	162%
__aeabi_dcmpgt	54.4	86.6	159%
__aeabi_dcmpge	55	86.6	157%
__aeabi_dcmpcq	54	64.3	119%
__aeabi_f2iz	17	24.5	144%
__aeabi_f2uiz	42.5	106.5	251%
__aeabi_f2lz	63.1	1240.5	1966%
__aeabi_f2ulz	46.1	1157	2510%
__aeabi_i2f	43.5	63	145%
__aeabi_ui2f	41.5	55.8	134%
__aeabi_l2f	75.2	643.3	855%
__aeabi_ul2f	71.4	531.5	744%
__aeabi_d2iz	30.6	44.1	144%
__aeabi_d2uiz	75.7	159.1	210%
__aeabi_d2lz	81.2	1267.8	1561%
__aeabi_d2ulz	65.2	1148.3	1761%
__aeabi_i2d	44.4	61.9	139%
__aeabi_ui2d	43.4	51.3	118%
__aeabi_l2d	104.2	559.3	537%
__aeabi_ul2d	102.2	458.1	448%
__aeabi_f2d	20	31	155%
__aeabi_d2f	36.4	66	181%

2.7.2.3. Configuration and Alternate Implementations

There are three different floating point implementations provided

Name	Description
<code>default</code>	The default; equivalent to <code>pico</code>
<code>pico</code>	Use the fast/compact SDK/bootrom implementations
<code>compiler</code>	Use the standard compiler provided soft floating point implementations
<code>none</code>	Map all functions to a runtime assertion. You can use this when you know you don't want any floating point support to make sure it isn't accidentally pulled in by some library.

These settings can be set independently for both "float" and "double":

For "float" you can call `pico_set_float_implementation(TARGET_NAME)` in your `CMakeLists.txt` to choose a specific implementation for a particular target, or set the CMake variable `PICO_DEFAULT_FLOAT_IMPL` to `pico_float_NAME` to set the default.

For "double" you can call `pico_set_double_implementation(TARGET_NAME)` in your `CMakeLists.txt` to choose a specific implementation for a particular target, or set the CMake variable `PICO_DEFAULT_DOUBLE_IMPL` to `pico_double_NAME` to set the default.

TIP

The `pico` floating point library adds very little to your binary size, however it must include implementations for any used functions that are not present in V1 of the bootrom, which is present on early Raspberry Pi Pico boards. If you know that you are only using RP2040s with V2 of the bootrom, then you can specify defines `PICO_FLOAT_SUPPORT_ROM_V1=0` and `PICO_DOUBLE_SUPPORT_ROM_V1=0` so the extra code will not be included. Any use of those functions on a RP2040 with a V1 bootrom will cause a panic at runtime. See the [RP2040 Datasheet](#) for more specific details of the bootrom functions.

2.7.2.3.1. NaN Propagation

The SDK implementation by default treats input NaNs as infinities. If you require propagation of NaN inputs to outputs and NaN outputs for domain errors, then you can set the compile definitions `PICO_FLOAT_PROPAGATE_NANS` and `PICO_DOUBLE_PROPAGATE_NANS` to 1, at the cost of a small runtime overhead.

2.7.3. Hardware Divider

The SDK includes optimized 32- and 64-bit division functions accelerated by the RP2040 hardware divider, which are seamlessly integrated with the C `/` and `%` operators. The SDK also supplies a high level API which includes combined quotient and remainder functions for 32- and 64-bit, also accelerated by the hardware divider.

See [Figure 1](#) and [Figure 2](#) for 32-bit and 64-bit integer divider comparison.

Figure 1. 32-bit divides by divider size using GCC library (blue), or the SDK library (red) with the RP2040 hardware divider.

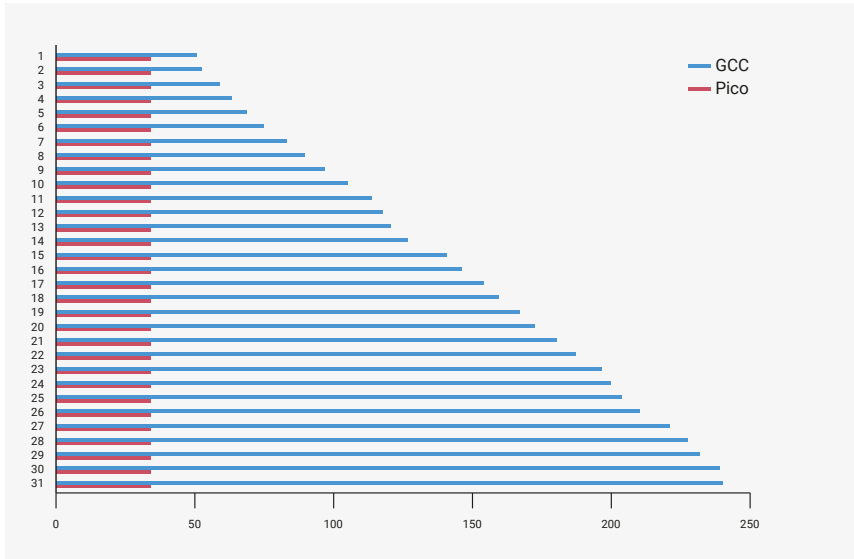
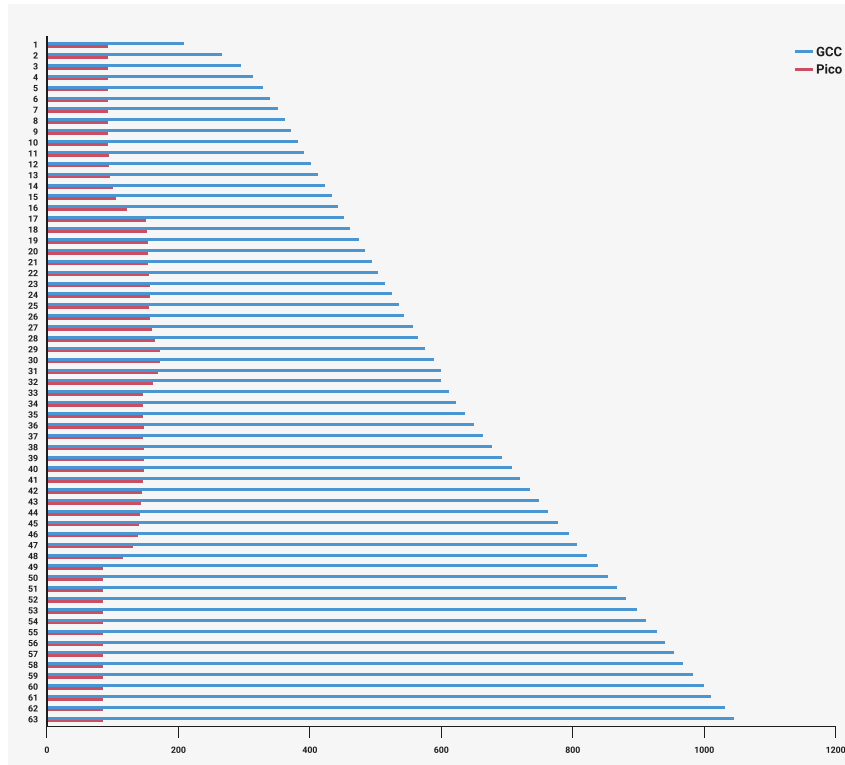


Figure 2. 64-bit divides by divider size using GCC library (blue), or the SDK library (red) with the RP2040 hardware divider.



2.8. Multi-core support

Multi-core support should be familiar to those used to programming with threads in other environments. The second core is just treated as a second *thread* within your application; initially the second core (*core1* as it is usually referred to; the main application thread runs on *core0*) is halted, however you can start it executing some function in parallel from your main application thread.

Core 1 (the second core) is started by calling `multicore_launch_core1(some_function_pointer)`; on core 0, which wakes the core from its low-power sleep state and provides it with its entry point – some function you have provided which hopefully has a descriptive name like `void core1_main() { }`. This function, as well as others such as pushing and popping data through the inter-core mailbox FIFOs, is listed under `pico_multicore`.

Care should be taken with calling C library functions from both cores simultaneously as they are generally not designed to be thread safe. You can use the `mutex_` API provided by the SDK in the `pico_sync` library (https://github.com/raspberrypi/pico-sdk/blob/master/src/common/pico_sync/include/pico/mutex.h) from within your own code.

i NOTE

That the SDK version of `printf` is always safe to call from both cores. `malloc`, `calloc` and `free` are additionally wrapped to make it thread safe when you include the `pico_multicore` as a convenience for C++ programming, where some object allocations may not be obvious.

2.9. Using C++

The SDK has a C style API, however the SDK headers may be safely included from C++ code, and the functions called (they are declared with C linkage).

C++ files are integrated into SDK projects in the same way as C files: listing them in your `CMakeLists.txt` file under either the `add_executable()` entry, or a separate `target_sources()` entry to append them to your target.

To save space, exception handling is disabled by default; this can be overridden with the CMake environment variable `PICO_CXX_ENABLE_EXCEPTIONS=1`. There are a handful of other C++ related `PICO_CXX` vars listed in [Appendix C](#).

2.10. Next Steps

This has been quite a deep dive. If you've somehow made it through this chapter *without* building any software, now would be a perfect time to divert to the [Getting started with Raspberry Pi Pico](#) book, which has detailed instructions on connecting to your RP2040 board and loading an application built with the SDK.

[Chapter 3](#) gives some background on RP2040's unique Programmable I/O subsystem, and walks through building some applications which use PIO to talk to external hardware.

[Chapter 4](#) is a comprehensive listing of the SDK APIs. The APIs are listed according to groups of related functionality (e.g. low-level hardware access).

Chapter 3. Using programmable I/O (PIO)

3.1. What is Programmable I/O (PIO)?

Programmable I/O (PIO) is a new piece of hardware developed for RP2040. It allows you to create new types of (or additional) hardware interfaces on your RP2040-based device. If you've looked at fixed peripherals on a microcontroller, and thought "I want to add 4 more UARTs", or "I'd like to output DPI video", or even "I need to communicate with this cursed serial device I found on AliExpress, but no machine has hardware support", then you will have fun with this chapter.

PIO hardware is described extensively in chapter 3 of the [RP2040 Datasheet](#). This is a companion to that text, focussing on how, when and why to use PIO in your software. To start, we're going to spend a while discussing why I/O is hard, what the current options are, and what PIO does differently, before diving into some software tutorials. We will also try to illuminate some of the more important parts of the hardware along the way, but will defer to the datasheet for full explanations.

TIP

You can [skip to the first software tutorial](#) if you'd prefer to dive straight in.

3.1.1. Background

Interfacing with other digital hardware components is hard. It often happens at very high frequencies (due to amounts of data that need to be transferred), and has very exact timing requirements.

3.1.2. I/O Using dedicated hardware on your PC

Traditionally, on your desktop or laptop computer, you have one option for hardware interfacing. Your computer has high speed USB ports, HDMI outputs, PCIe slots, SATA drive controllers etc. to take care of the tricky and time sensitive business of sending and receiving ones and zeros, and responding with minimal latency or interruption to the graphics card, hard drive etc. on the other end of the hardware interface.

The custom hardware components take care of specific tasks that the more general multi-tasking CPU is not designed for. The operating system drivers perform higher level management of what the hardware components do, and coordinate data transfers via DMA to/from memory from the controller and receive IRQs when high level tasks need attention. These interfaces are purpose-built, and if you have them, you should use them.

3.1.3. I/O Using dedicated hardware on your Raspberry Pi or microcontroller

Not so common on PCs: your Raspberry Pi or microcontroller is likely to have dedicated hardware on chip for managing UART, I2C, SPI, PWM, I2S, CAN bus and more over *general purpose I/O* pins (GPIOs). Like USB controllers (also found on some microcontrollers, including the RP2040 on Raspberry Pi Pico), I2C and SPI are general purpose buses which connect to a wide variety of external hardware, using the same piece of on-chip hardware. This includes sensors, external flash, EEPROM and SRAM memories, GPIO expanders, and more, all of them widely and cheaply available. Even HDMI uses I2C to communicate video timings between Source and Sink, and there is probably a microcontroller *embedded* in your TV to handle this.

These protocols are simpler to integrate into very low-cost *devices* (i.e. not the host), due to their relative simplicity and modest speed. This is important for chips with mostly analogue or high-power circuitry: the silicon fabrication techniques used for these chips do not lend themselves to high speed or gate count, so if your switchmode power supply controller has some serial configuration interface, it is likely to be something like I2C. The number of traces routed on the circuit board, the number of pins required on the device package, and the PCB technology required to maintain signal integrity are also factors in the choice of these protocols. A microcontroller needs to communicate with these devices to be part of a larger *embedded system*.

This is all very well, but the area taken up by these individual serial peripherals, and the associated cost, often leaves you with a limited menu. You may end up paying for a bunch of stuff you don't need, and find yourself without enough of what you really want. Of course you are out of luck if your microcontroller does not have dedicated hardware for the type of hardware device you want to attach (although in some cases you may be able to bridge over USB, I2C or SPI at the cost of buying external hardware).

3.1.4. I/O Using software control of GPIOs ("*bit-banging*")

The third option on your Raspberry Pi or microcontroller – any system with GPIOs which the processor(s) can access easily – is to use the CPU to wiggle (and listen to) the GPIOs at dizzyingly high speeds, and hope to do so with sufficiently correct timing that the external hardware still understands the signals.

As a bit of background it is worth thinking about types of hardware that you might want to interface, and the approximate signalling speeds involved:

Table 4. Types of hardware

Interface Speed	Interface
1-10Hz	Push buttons, indicator LEDs
300Hz	HDMI CEC
10-100kHz	Temperature sensors (DHT11), one-wire serial
<100kHz	I2C Standard mode
22-100+kHz	PCM audio
300+kHz	PWM audio
400-1200kHz	WS2812 LED string
10-3000kHz	UART serial
12MHz	USB Full Speed
1-100MHz	SPI
20-300MHz	DPI/VGA video
480MHz	USB High Speed
10-4000MHz	Ethernet LAN
12-4000MHz	SD card
250-20000MHz	HDMI/DVI video

"*Bit-Banging*" (i.e. using the processor to hammer out the protocol via the GPIOs) is very hard. The processor isn't really designed for this. It has other work to do... for slower protocols you might be able to use an IRQ to wake up the processor from what it was doing fast enough (though latency here is a concern) to send the next bit(s). Indeed back in the early days of PC sound it was not uncommon to set a hardware timer interrupt at 11kHz and write out one 8-bit PCM sample every interrupt for some rather primitive sounding audio!

Doing that on a PC nowadays is laughed at, even though they are many order of magnitudes faster than they were back then. As processors have become faster in terms of overwhelming number-crunching brute force, the layers of software and hardware between the processor and the outside world have also grown in number and size. In response to the

growing distance between processors and memory, PC-class processors keep many hundreds of instructions in-flight on a single core at once, which has drawbacks when trying to switch rapidly between hard real time tasks. However, IRQ-based bitbanging can be an effective strategy on simpler embedded systems.

Above certain speeds – say a factor of 1000 below the processor clock speed – IRQs become impractical, in part due to the timing uncertainty of actually *entering* an interrupt handler. The alternative when “*bit-banging*” is to sit the processor in a carefully timed loop, often painstakingly written in assembly, trying to make sure the GPIO reading and writing happens on the exact cycle required. This is really really hard work if indeed possible at all. Many heroic hours and likely thousands of GitHub repositories are dedicated to the task of doing such things (a large proportion of them for LED strings).

Additionally of course, your processor is now busy doing the “*bit-banging*”, and cannot be used for other tasks. If your processor is interrupted even for a few microseconds to attend to one of the hard peripherals it is also responsible for, this can be fatal to the timing of any bit-banged protocol. The greater the ratio between protocol speed and processor speed, the more cycles your processor will spend uselessly idling in between GPIO accesses. Whilst it is eminently possible to drive a 115200 baud UART output using only software, this has a cost of >10,000 cycles per byte if the processor is running at 133MHz, which may be poor investment of those cycles.

Whilst dealing with something like an LED string is possible using “*bit-banging*”, once your hardware protocol gets faster to the point that it is of similar order of magnitude to your system clock speed, there is really not much you can hope to do. The main case where software GPIO access is the *best* choice is LEDs and push buttons.

Therefore you’re back to custom hardware for the protocols you know up front you are going to want (or more accurately, the chip designer thinks you might need).

3.1.5. Programmable I/O Hardware using FPGAs and CPLDs

A *field-programmable gate array* (FPGA), or its smaller cousin, the *complex programmable logic device* (CPLD), is in many ways the perfect solution for tailor-made I/O requirements, whether that entails an unusual type or unusual mixture of interfaces. FPGAs are chips with a configurable logic fabric – effectively a sea of gates and flipflops, some other special digital function blocks, and a routing fabric to connect them – which offer the same level of design flexibility available to chip designers. This brings with it all the advantages of dedicated I/O hardware:

- Absolute precision of protocol timing (within limitations of your clock source)
- Capable of very high I/O throughput
- Offload simple, repetitive calculations that are part of the I/O standard (checksums)
- Present a simpler interface to host software; abstract away details of the protocol, and handle these details internally.

The main drawback of FPGAs in embedded systems is their cost. They also present a very unfamiliar programming model to those well-versed in embedded software: you are not programming at all, but rather designing digital hardware. One you have your FPGA you will still need some other processing element in your system to run control software, unless you are using an FPGA expensive enough to either fit a soft CPU core, or contain a hardened CPU core alongside the FPGA fabric.

eFPGAs (embedded FPGAs) are available in some microcontrollers: a slice of FPGA logic fabric integrated into a more conventional microcontroller, usually with access to some GPIOs, and accessible over the system bus. These are attractive from a system integration point of view, but have a significant area overhead compared with the usual serial peripherals found on a microcontroller, so either increase the cost and power dissipation, or are very limited in size. The issue of programming complexity still remains in eFPGA-equipped systems.

3.1.6. Programmable I/O Hardware using PIO

The PIO subsystem on RP2040 allows you to write small, simple programs for what are called *PIO state machines*, of which RP2040 has eight split across two PIO *instances*. A state machine is responsible for setting and reading one or more GPIOs, buffering data to or from the processor (or RP2040’s ultra-fast DMA subsystem), and notifying the

processor, via IRQ or polling, when data or attention is needed.

These programs operate with cycle accuracy at up to system clock speed (or the program clocks can be divided down to run at slower speeds for less frisky protocols).

PIO state machines are much more compact than the general-purpose Cortex-M0+ processors on RP2040. In fact, they are similar in size (and therefore cost) to a standard SPI peripheral, such as the PL022 SPI also found on RP2040, because much of their area is spent on components which are common to all serial peripherals, like FIFOs, shift registers and clock dividers. The instruction set is small and regular, so not much silicon is spent on decoding the instructions. There is no need to feel guilty about dedicating a state machine solely to a single I/O task, since you have 8 of them!

In spite of this, a PIO state machine gets a lot *more* done in one cycle than a Cortex-M0+ when it comes to I/O: for example, sampling a GPIO value, toggling a clock signal and pushing to a FIFO all in one cycle, every cycle. The trade-off is that a PIO state machine is not remotely capable of running general purpose software. As we shall see though, programming a PIO state machine is quite familiar for anyone who has written assembly code before, and the small instruction set should be fairly quick to pick up for those who haven't.

For simple hardware protocols - such as PWM or duplex SPI - a single PIO state machine can handle the task of implementing the hardware interface all on its own. For more involved protocols such as SDIO or DPI video you may end up using two or three.

 **TIP**

If you are ever tempted to "*bit-bang*" a protocol on RP2040, don't! Use the PIO instead. Frankly this is true for anything that repeatedly reads or writes from GPIOs, but certainly anything which aims to transfer data.

3.2. Getting started with PIO

It is possible to write PIO programs both within the C++ SDK and directly from MicroPython.

Additionally the future intent is to add APIs to trivially have new UARTs, PWM channels etc created for you, using a menu of pre-written PIO programs, but for now you'll have to follow along with example code and do that yourself.

3.2.1. A First PIO Application

Before getting into all of the fine details of the PIO assembly language, we should take the time to look at a small but complete application which:

1. Loads a program into a PIO's instruction memory
2. Sets up a PIO state machine to run the program
3. Interacts with the state machine once it is running.

The main ingredients in this recipe are:

- A PIO program
- Some software, written in C, to run the whole show
- A CMake file describing how these two are combined into a program image to load onto a RP2040-based development board

TIP

The code listings in this section are all part of a complete application on GitHub, which you can build and run. Just click the link above each listing to go to the source. In this section we are looking at the `pio/hello_pio` example in `pico-examples`. You might choose to build this application and run it, to see what it does, before reading through this section.

NOTE

The focus here is on the main moving parts required to use a PIO program, not so much on the PIO program itself. This is a lot to take in, so we will stay high-level in this example, and dig in deeper on the next one.

3.2.1.1. PIO Program

This is our first PIO program listing. It's written in PIO assembly language.

Pico Examples: https://github.com/raspberrypi/pico-examples/blob/master/pio/hello_pio/hello.pio Lines 7 - 15

```

7 .program hello
8
9 ; Repeatedly get one word of data from the TX FIFO, stalling when the FIFO is
10 ; empty. Write the least significant bit to the OUT pin group.
11
12 loop:
13     pull
14     out pins, 1
15     jmp loop

```

The `pull` instruction takes one data item from the transmit FIFO buffer, and places it in the *output shift register* (OSR). Data moves from the FIFO to the OSR one word (32 bits) at a time. The OSR is able to *shift* this data out, one or more bits at a time, to further destinations, using an `out` instruction.

FIFOs?

FIFOs are data queues, implemented in hardware. Each state machine has two FIFOs, between the state machine and the system bus, for data travelling out of (TX) and into (RX) the chip. Their name (*first in, first out*) comes from the fact that data appears at the FIFO's output in the same order as it was presented to the FIFO's input.

The `out` instruction here takes one bit from the data we just `pull`-ed from the FIFO, and writes that data to some pins. We will see later how to decide which pins these are.

The `jmp` instruction jumps back to the `loop:` label, so that the program repeats indefinitely. So, to sum up the function of this program: repeatedly take one data item from a FIFO, take one bit from this data item, and write it to a pin.

Our `.pio` file also contains a helper function to set up a PIO state machine for correct execution of this program:

Pico Examples: https://github.com/raspberrypi/pico-examples/blob/master/pio/hello_pio/hello.pio Lines 18 - 33

```

18 static inline void hello_program_init(PIO pio, uint sm, uint offset, uint pin) {
19     pio_sm_config c = hello_program_get_default_config(offset);
20
21     // Map the state machine's OUT pin group to one pin, namely the `pin`
22     // parameter to this function.
23     sm_config_set_out_pins(&c, pin, 1);
24     // Set this pin's GPIO function (connect PIO to the pad)
25     pio_gpio_init(pio, pin);

```

```

26 // Set the pin direction to output at the PIO
27 pio_sm_set_consecutive_pindirs(pio, sm, pin, 1, true);
28
29 // Load our configuration, and jump to the start of the program
30 pio_sm_init(pio, sm, offset, &c);
31 // Set the state machine running
32 pio_sm_set_enabled(pio, sm, true);
33 }

```

Here the main thing to set up is the GPIO we intend to output our data to. There are three things to consider here:

1. The state machine needs to be told which GPIO or GPIOs to output to. There are four different pin groups which are used by different instructions in different situations; here we are using the out pin group, because we are just using an `out` instruction.
2. The *GPIO* also needs to be told that PIO is in control of it (GPIO function select)
3. If we are using the pin for output only, we need to make sure that PIO is driving the *output enable* line high. PIO can drive this line up and down programmatically using e.g. an `out pindirs` instruction, but here we are setting it up before starting the program.

3.2.1.2. C Program

PIO won't do anything until it's been configured properly, so we need some software to do that. The PIO file we just looked at – `hello.pio` – is converted automatically (we will see later how) into a header containing our assembled PIO program binary, any helper functions we included in the file, and some useful information about the program. We include this as `hello.pio.h`.

Pico Examples: https://github.com/raspberrypi/pico-examples/blob/master/pio/hello_pio/hello.c

```

1 /**
2  * Copyright (c) 2020 Raspberry Pi (Trading) Ltd.
3  *
4  * SPDX-License-Identifier: BSD-3-Clause
5  */
6
7 #include "pico/stdlib.h"
8 #include "hardware/pio.h"
9 // Our assembled program:
10 #include "hello.pio.h"
11
12 int main() {
13 #ifndef PICO_DEFAULT_LED_PIN
14 #warning pio/hello_pio example requires a board with a regular LED
15 #else
16 // Choose which PIO instance to use (there are two instances)
17 PIO pio = pio0;
18
19 // Our assembled program needs to be loaded into this PIO's instruction
20 // memory. This SDK function will find a location (offset) in the
21 // instruction memory where there is enough space for our program. We need
22 // to remember this location!
23 uint offset = pio_add_program(pio, &hello_program);
24
25 // Find a free state machine on our chosen PIO (erroring if there are
26 // none). Configure it to run our program, and start it, using the
27 // helper function we included in our .pio file.
28 uint sm = pio_claim_unused_sm(pio, true);
29 hello_program_init(pio, sm, offset, PICO_DEFAULT_LED_PIN);
30
31 // The state machine is now running. Any value we push to its TX FIFO will

```

```

32 // appear on the LED pin.
33 while (true) {
34     // Blink
35     pio_sm_put_blocking(pio, sm, 1);
36     sleep_ms(500);
37     // Blonk
38     pio_sm_put_blocking(pio, sm, 0);
39     sleep_ms(500);
40 }
41 #endif
42 }

```

You might recall that RP2040 has two PIO blocks, each of them with four state machines. Each PIO block has a 32-slot instruction memory which is visible to the four state machines in the block. We need to load our program into this instruction memory before any of our state machines can run the program. The function `pio_add_program()` finds free space for our program in a given PIO's instruction memory, and loads it.

32 Instructions?

This may not sound like a lot, but the PIO instruction set can be very dense once you fully explore its features. A perfectly serviceable UART transmit program can be implemented in four instructions, as shown in the `pio/uart_tx` example in `pico-examples`. There are also a couple of ways for a state machine to execute instructions from other sources — like directly from the FIFOs — which you can read all about in the [RP2040 Datasheet](#).

Once the program is loaded, we find a free state machine and tell it to run our program. There is nothing stopping us from ordering multiple state machines to run the same program. Likewise, we could instruct each state machine to run a *different* program, provided they all fit into the instruction memory at once.

We're configuring this state machine to output its data to the LED on your Raspberry Pi Pico board. If you have already built and run the program, you probably noticed this already!

At this point, the state machine is running autonomously. The state machine will immediately *stall*, because it is waiting for data in the TX FIFO, and we haven't provided any. The processor can push data directly into the state machine's TX FIFO using the `pio_sm_put_blocking()` function. (`_blocking` because this function stalls the processor when the TX FIFO is full.) Writing a 1 will turn the LED on, and writing a 0 will turn the LED off.

3.2.1.3. CMake File

We have two lovely text files sat on our computer, with names ending with `.pio` and `.c`, but they aren't doing us much good there. A CMake file describes how these are built into a binary suitable for loading onto your Raspberry Pi Pico or other RP2040-based board.

Pico Examples: https://github.com/raspberrypi/pico-examples/blob/master/pio/hello_pio/CMakeLists.txt

```

1 add_executable(hello_pio)
2
3 pico_generate_pio_header(hello_pio ${CMAKE_CURRENT_LIST_DIR}/hello.pio)
4
5 target_sources(hello_pio PRIVATE hello.c)
6
7 target_link_libraries(hello_pio PRIVATE
8     pico_stdlib
9     hardware_pio
10    )
11
12 pico_add_extra_outputs(hello_pio)
13

```

```
14 # add url via pico_set_program_url
15 example_auto_set_url(hello_pio)
```

- `add_executable()`: Declare that we are building a program called `hello_pio`
- `pico_generate_pio_header()`: Declare that we have a PIO program, `hello.pio`, which we want to be built into a C header for use with our program
- `target_sources()`: List the source code files for our `hello_pio` program. In this case, just one C file.
- `target_link_libraries()`: Make sure that our program is built with the PIO hardware API, so we can call functions like `pio_add_program()` in our C file.
- `pico_add_extra_outputs()`: By default we just get an `.elf` file as the build output of our app. Here we declare we also want extra build formats, like a `.uf2` file which can be dragged and dropped directly onto a Raspberry Pi Pico attached over USB.

Assuming you already have `pico-examples` and the SDK installed on your machine, you can run

```
$ mkdir build
$ cd build
$ cmake ..
$ make hello_pio
```

To build this program.

3.2.2. A Real Example: WS2812 LEDs

The WS2812 LED (sometimes sold as NeoPixel) is an addressable RGB LED. In other words, it's an LED where the red, green and blue components of the light can be individually controlled, and it can be connected in such a way that many WS2812 LEDs can be controlled individually, with only a single control input. Each LED has a pair of power supply terminals, a serial data input, and a serial data output.

When serial data is presented at the LED's input, it takes the first three bytes for itself (red, green, blue) and the remainder is passed along to its serial data output. Often these LEDs are connected in a single long chain, each LED connected to a common power supply, and each LED's data output connected through to the next LED's input. A long burst of serial data to the first in the chain (the one with its data input unconnected) will deposit three bytes of RGB data in each LED, so their colour and brightness can be individually programmed.

Figure 3. WS2812 line format. Wide positive pulse for 1, narrow positive pulse for 0, very long negative pulse for latch enable



Unfortunately the LEDs receive and retransmit serial data in quite an unusual format. Each bit is transferred as a positive pulse, and the width of the pulse determines whether it is a `1` or a `0` bit. There is a family of WS2812-like LEDs available, which often have slightly different timings, and demand precision. It is possible to bit-bang this protocol, or to write canned bit patterns into some generic serial peripheral like SPI or I2S to get firmer guarantees on the timing, but there is still some software complexity and cost associated with generating the bit patterns.

Ideally we would like to have all of our CPU cycles available to generate colour patterns to put on the lights, or to handle any other responsibilities the processor may have in the *embedded system* the LEDs are connected to.

TIP

Once more, this section is going to discuss a real, complete program, that you can build and run on your Raspberry Pi Pico. Follow the links above the program listings if you'd prefer to build the program yourself and run it, before going through it in detail. This section explores the [pio/ws2812](#) example in [pico-examples](#).

3.2.2.1. PIO Program

Pico Examples: <https://github.com/raspberrypi/pico-examples/blob/master/pio/ws2812/ws2812.pio> Lines 7 - 26

```

7 .program ws2812
8 .side_set 1
9
10 .define public T1 2
11 .define public T2 5
12 .define public T3 3
13
14 .lang_opt python sideset_init = pico.PIO.OUT_HIGH
15 .lang_opt python out_init     = pico.PIO.OUT_HIGH
16 .lang_opt python out_shiftdir = 1
17
18 .wrap_target
19 bitloop:
20     out x, 1          side 0 [T3 - 1] ; Side-set still takes place when instruction stalls
21     jmp !x do_zero side 1 [T1 - 1] ; Branch on the bit we shifted out. Positive pulse
22 do_one:
23     jmp bitloop side 1 [T2 - 1] ; Continue driving high, for a long pulse
24 do_zero:
25     nop              side 0 [T2 - 1] ; Or drive low, for a short pulse
26 .wrap

```

The previous example was a bit of a whistle-stop tour of the anatomy of a PIO-based application. This time we will dissect the code line-by-line. The first line tells the assembler that we are defining a program named ws2812:

```
.program ws2812
```

We can have multiple programs in one `.pio` file (and you will see this if you click the GitHub link above the main program listing), and each of these will have its own `.program` directive with a different name. The assembler will go through each program in turn, and all the assembled programs will appear in the output file.

Each PIO instruction is 16 bits in size. Generally, 5 of those bits in each instruction are used for the “delay” which is usually 0 to 31 cycles (after the instruction completes and before moving to the next instruction). If you have read the PIO chapter of the [RP2040 Datasheet](#), you may have already know that these 5 bits can be used for a different purpose:

```
.side_set 1
```

This directive `.side_set 1` says we’re *stealing* one of those delay bits to use for “side-set”. The state machine will use this bit to drive the values of some pins, once per instruction, in *addition* to what the instructions are themselves doing. This is very useful for high frequency use cases (e.g. pixel clocks for DPI panels), but also for shrinking program size, to fit into the shared instruction memory.

Note that stealing one bit has left our delay range from 0-15 (4 bits), but that is quite natural because you rarely want to mix side-set with lower frequency stuff. Because we didn’t say `.side_set 1 opt`, which would mean the side-set is optional (at the cost of another bit to say *whether* the instruction does a side-set), we have to specify a side-set value for

every instruction in the program. This is the `side N` you will see on each instruction in the listing.

```
.define public T1 2
.define public T2 5
.define public T3 3
```

`.define` lets you declare constants. The `public` keyword means that the assembler will also write out the value of the define in the output file for use by other software: in the context of the SDK, this is a `#define`. We are going to use `T1`, `T2` and `T3` in calculating the delay cycles on each instruction.

```
.lang_opt python
```

This is used to specify some PIO hardware defaults as used by the MicroPython PIO library. We don't need to worry about them in the context of SDK applications.

```
.wrap_target
```

We'll ignore this for now, and come back to it later, when we meet its friend `.wrap`.

```
bitloop:
```

This is a label. A label tells the assembler that this point in your code is interesting to you, and you want to refer to it later by name. Labels are mainly used with `jmp` instructions.

```
out x, 1      side 0 [T3 - 1] ; Side-set still takes place when instruction stalls
```

Finally we reach a line with a PIO instruction. There is a lot to see here.

- This is an `out` instruction. `out` takes some bits from the *output shift register* (OSR), and writes them somewhere else. In this case, the OSR will contain pixel data destined for our LEDs.
- `[T3 - 1]` is the number of delay cycles (T3 minus 1). `T3` is a constant we defined earlier.
- `x` (one of two scratch registers; the other imaginatively called `y`) is the destination of the write data. State machines use their scratch registers to hold and compare temporary data.
- `side 0`: Drive low (`0`) the pin configured for side-set.
- Everything after the `;` character is a *comment*. Comments are ignored by the assembler: they are just notes for humans to read.

Output Shift Register

The OSR is a staging area for data entering the state machine through the TX FIFO. Data is pulled from the TX FIFO into the OSR one 32-bit chunk at a time. When an `out` instruction is executed, the OSR can break this data into smaller pieces by *shifting* to the left or right, and sending the bits that drop off the end to one of a handful of different destinations, such as the pins.

The amount of data to be shifted is encoded by the `out` instruction, and the *direction* of the shift (left or right) is configured ahead of time. For full details and diagrams, see the [RP2040 Datasheet](#).

So, the state machine will do the following operations when it executes this instruction:

1. Set 0 on the side-set pin (this happens even if the instruction stalls because no data is available in the OSR)
2. Shift one bit out of the OSR into the x register. The value of the x register will be either 0 or 1.
3. Wait $T3 - 1$ cycles after the instruction (i.e. the whole thing takes $T3$ cycles since the instruction itself took a cycle).
Note that when we say cycle, we mean state machine execution cycles: a state machine can be made to execute at a slower rate than the system clock, by configuring its *clock divider*.

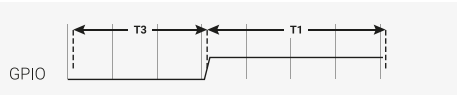
Let's look at the next instruction in the program.

```
jmp !x do_zero side 1 [T1 - 1] ; Branch on the bit we shifted out. Positive pulse
```

1. *side 1* on the side-set pin (this is the leading edge of our pulse)
2. If $x == 0$ then go to the instruction labelled *do_zero*, otherwise continue sequentially to the next instruction
3. We delay $T1 - 1$ after the instruction (whether the branch is taken or not)

Let's look at what our output pin has done so far in the program.

Figure 4. The state machine drives the line low for time $T1$ as it shifts out one data bit from the OSR, and then high for time $T2$ whilst branching on the value of the bit.



The pin has been low for time $T3$, and high for time $T1$. If the x register is 1 (remember this contains our 1 bit of pixel data) then we will fall through to the instruction labelled *do_one*:

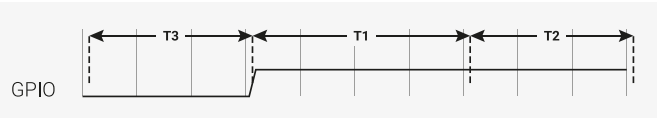
```
do_one:
    jmp bitloop side 1 [T2 - 1] ; Continue driving high, for a long pulse
```

On this side of the branch we do the following:

1. *side 1* on the side-set pin (continue the pulse)
2. *jmp* unconditionally back to *bitloop* (the label we defined earlier, at the top of the program); the state machine is done with this data bit, and will get another from its OSR
3. Delay for $T2 - 1$ cycles after the instruction

The waveform at our output pin now looks like this:

Figure 5. On a one data bit, the line is driven low for time $T3$, high for time $T1$, then high for an additional time $T2$



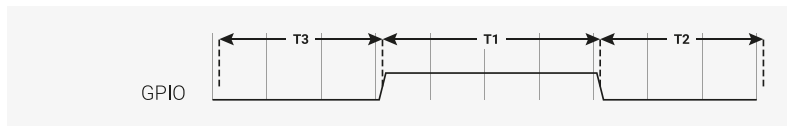
This accounts for the case where we shifted a 1 data bit into the x register. For a 0 bit, we will have jumped over the last instruction we looked at, to the instruction labelled *do_zero*:

```
do_zero:
    nop side 0 [T2 - 1] ; Or drive low, for a short pulse
```

1. *side 0* on the side-set pin (the trailing edge of our pulse)
2. *nop* means no operation. We don't have anything else we particularly want to do, so waste a cycle
3. The instruction takes $T2$ cycles in total

For the `x == 0` case, we get this on our output pin:

Figure 6. On a zero data bit, the line is driven low for time T3, high for time T1, then low again for time T1



The final line of our program is this:

```
.wrap
```

This matches with the `.wrap_target` directive at the top of the program. Wrapping is a hardware feature of the state machine which behaves like a wormhole: you go in through the `.wrap` statement and appear at the `.wrap_target` zero cycles later, unless the `.wrap` is preceded immediately by a `jmp` whose condition is true. This is important for getting precise timing with programs that must run quickly, and often also saves you a slot in the instruction memory.

TIP

Often an explicit `.wrap_target/.wrap` pair is not necessary, because the default configuration produced by `pioasm` has an implicit wrap from the end of the program back to the beginning, if you didn't specify one.

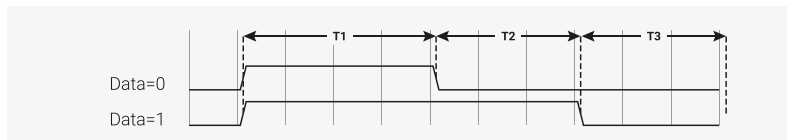
NOPs

NOP, or no operation, means precisely that: do nothing! You may notice there is no `nop` instruction defined in the instruction set reference: `nop` is really a synonym for `mov y, y` in PIO assembly.

Why did we insert a `nop` in this example when we could have `jmp`-ed? Good question! It's a dramatic device we contrived so we could discuss `nop` and `.wrap`. Writing documentation is hard. In general, though, `nop` is useful when you need to perform a side-set and have nothing else to do, or you need a very slightly longer delay than is available on a single instruction.

It is hopefully becoming clear why our timings T1, T2, T3 are numbered this way, because what the LED string sees really is one of these two cases:

Figure 7. The line is initially low in the idle (latch) state, and the LED is waiting for the first rising edge. It sees our pulse timings in the order T1-T2-T3, until the very last T3, where it sees a much longer negative period once the state machine runs out of data.



This should look familiar if you refer back to [Figure 3](#).

After thoroughly dissecting our program, and hopefully being satisfied that it will repeatedly send one well-formed data bit to a string of WS2812 LEDs, we're left with a question: where is the data coming from? This is more thoroughly explained in the [RP2040 Datasheet](#), but the data that we are shifting out from the OSR came from the state machine's TX FIFO. The TX FIFO is a data buffer between the state machine and the rest of RP2040, filled either via direct poking from the CPU, or by the system DMA, which is much faster.

The `out` instruction shifts data out from the OSR, and zeroes are shifted in from the other end to fill the vacuum. Because the OSR is 32 bits wide, you will start getting zeroes once you have shifted out a total of 32 bits. There is a `pull` instruction which explicitly takes data from the TX FIFO and put it in the OSR (stalling the state machine if the FIFO is empty).

However, in the majority of cases it is simpler to configure `autopull`, a mode where the state machine automatically refills the OSR from the TX FIFO (an automatic `pull`) when a configured number of bits have been shifted out. `Autopull` happens in the background, in parallel with whatever else the state machine may be up to (in other words it has a cost of zero cycles). We'll see how this is configured in the next section.

3.2.2.2. State Machine Configuration

When we run `pioasm` on the `.pio` file we have been looking at, and ask it to spit out SDK code (which is the default), it will create some static variables describing the program, and a method `ws2812_default_program_config` which configures a PIO state machine based on user parameters, and the directives in the actual PIO program (namely the `.side_set` and `.wrap` in this case).

Of course how you configure the PIO SM when using the program is very much related to the program you have written. Rather than try to store a data representation off all that information, and parse it at runtime, for the use cases where you'd like to encapsulate setup or other API functions with your PIO program, you can embed code within the `.pio` file.

Pico Examples: <https://github.com/raspberrypi/pico-examples/blob/master/pio/ws2812/ws2812.pio> Lines 31 - 47

```
31 static inline void ws2812_program_init(PIO pio, uint sm, uint offset, uint pin, float freq,
    bool rgbw) {
32
33     pio_gpio_init(pio, pin);
34     pio_sm_set_consecutive_pindirs(pio, sm, pin, 1, true);
35
36     pio_sm_config c = ws2812_program_get_default_config(offset);
37     sm_config_set_sideset_pins(&c, pin);
38     sm_config_set_out_shift(&c, false, true, rgbw ? 32 : 24);
39     sm_config_set_fifo_join(&c, PIO_FIFO_JOIN_TX);
40
41     int cycles_per_bit = ws2812_T1 + ws2812_T2 + ws2812_T3;
42     float div = clock_get_hz(clk_sys) / (freq * cycles_per_bit);
43     sm_config_set_clkdiv(&c, div);
44
45     pio_sm_init(pio, sm, offset, &c);
46     pio_sm_set_enabled(pio, sm, true);
47 }
```

In this case we are passing through code for the SDK, as requested by this line you will see if you click the link on the above listing to see the context:

```
% c-sdk {
```

We have here a function `ws2812_program_init` which is provided to help the user to instantiate an instance of the LED driver program, based on a handful of parameters:

pio

Which of RP2040's two PIO instances we are dealing with

sm

Which state machine on that PIO we want to configure to run the WS2812 program

offset

Where the PIO program was loaded in PIO's 5-bit program address space

pin

which GPIO pin our WS2812 LED chain is connected to

freq

The frequency (or rather baud rate) we want to output data at.

rgbw

True if we are using 4-colour LEDs (red, green, blue, white) rather than the usual 3.

Such that:

- `pio_gpio_init(pio, pin)`; Configure a GPIO for use by PIO. (Set the GPIO function select.)
- `pio_set_consecutive_pindirs(pio, sm, pin, 1, true)`; Sets the PIO pin direction of 1 pin starting at pin number `pin` to `out`
- `pio_sm_config c = ws2812_program_default_config(offset)`; Get the default configuration using the generated function for this program (this includes things like the `.wrap` and `.side_set` configurations from the program). We'll modify this configuration before loading it into the state machine.
- `sm_config_sideset_pins(&c, pin)`; Sets the side-set to write to pins starting at pin `pin` (we say *starting* at because if you had `.side_set 3`, then it would be outputting values on numbers `pin, pin+1, pin+2`)
- `sm_config_out_shift(&c, false, true, rgbw ? 32 : 24)`; False for `shift_to_right` (i.e. we want to shift out MSB first). True for `autopull`. 32 or 24 for the number of bits for the `autopull` threshold, i.e. the point at which the state machine triggers a refill of the OSR, depending on whether the LEDs are RGB or RGBW.
- `int cycles_per_bit = ws2812_T1 + ws2812_T2 + ws2812_T3`; This is the total number of execution cycles to output a single bit. Here we see the benefit of `.define public`; we can use the T1 - T3 values in our code.
- `float div = clock_get_hz(clk_sys) / (freq * cycles_per_bit)`; `sm_config_clkdiv(&c, div)`; Slow the state machine's execution down, based on the system clock speed and the number of execution cycles required per WS2812 data bit, so that we achieve the correct bit rate.
- `pio_sm_init(pio, sm, offset, &c)`; Load our configuration into the state machine, and go to the start address (`offset`)
- `pio_sm_enable(pio, sm, true)`; And make it go now!

At this point the program will be stuck on the first `out` waiting for data. This is because we have `autopull` enabled, the OSR is initially empty, and there is no data to be pulled. The state machine refuses to continue until the first piece of data arrives in the FIFO.

As an aside, this last point sheds some light on the slightly cryptic comment at the start of the PIO program:

```
out x, 1      side 0 [T3 - 1] ; Side-set still takes place when instruction stalls
```

This comment is giving us an important piece of context. We stall on this instruction initially, before the first data is added, and also every time we finish sending the last piece of data at the end of a long serial burst. When a state machine stalls, it does not continue to the next instruction, rather it will reattempt the current instruction on the next divided clock cycle. However, side-set still takes place. This works in our favour here, because we consequently always return the line to the idle (low) state when we stall.

3.2.2.3. C Program

The companion to the `.pio` file we've looked at is a `.c` file which drives some interesting colour patterns out onto a string of LEDs. We'll just look at the parts that are directly relevant to PIO.

Pico Examples: <https://github.com/raspberrypi/pico-examples/blob/master/pio/ws2812/ws2812.c> Lines 25 - 27

```
25 static inline void put_pixel(uint32_t pixel_grb) {
26     pio_sm_put_blocking(pio0, 0, pixel_grb << 8u);
27 }
```

Pico Examples: <https://github.com/raspberrypi/pico-examples/blob/master/pio/ws2812/ws2812.c> Lines 29 - 34

```
29 static inline uint32_t urgb_u32(uint8_t r, uint8_t g, uint8_t b) {
30     return
31         ((uint32_t) (r) << 8) |
32         ((uint32_t) (g) << 16) |
```

```

33         (uint32_t) (b);
34     }

```

Here we are writing 32-bit values into the FIFO, one at a time, directly from the CPU. `pio_sm_put_blocking` is a helper method that waits until there is room in the FIFO before pushing your data.

You'll notice the `<< 8` in `put_pixel()`: remember we are shifting out starting with the MSB, so we want the 24-bit colour values at the top. This works fine for WGBR too, just that the W is always 0.

This program has a handful of colour patterns, which call our `put_pixel` helper above to output a sequence of pixel values:

Pico Examples: <https://github.com/raspberrypi/pico-examples/blob/master/pio/ws2812/ws2812.c> Lines 50 - 55

```

50 void pattern_random(uint len, uint t) {
51     if (t % 8)
52         return;
53     for (int i = 0; i < len; ++i)
54         put_pixel(rand());
55 }

```

The main function loads the program onto a PIO, configures a state machine for 800 kbaud WS2812 transmission, and then starts cycling through the colour patterns randomly.

Pico Examples: <https://github.com/raspberrypi/pico-examples/blob/master/pio/ws2812/ws2812.c> Lines 84 - 108

```

84 int main() {
85     //set_sys_clock_48();
86     stdio_init_all();
87     printf("WS2812 Smoke Test, using pin %d", WS2812_PIN);
88
89     // todo get free sm
90     PIO pio = pio0;
91     int sm = 0;
92     uint offset = pio_add_program(pio, &ws2812_program);
93
94     ws2812_program_init(pio, sm, offset, WS2812_PIN, 800000, IS_RGBW);
95
96     int t = 0;
97     while (1) {
98         int pat = rand() % count_of(pattern_table);
99         int dir = (rand() >> 30) & 1 ? 1 : -1;
100        puts(pattern_table[pat].name);
101        puts(dir == 1 ? "(forward)" : "(backward)");
102        for (int i = 0; i < 1000; ++i) {
103            pattern_table[pat].pat(NUM_PIXELS, t);
104            sleep_ms(10);
105            t += dir;
106        }
107    }
108 }

```

3.2.3. PIO and DMA (A Logic Analyser)

So far we have looked at writing data to PIO directly from the processor. This often leads to the processor spinning its wheels waiting for room in a FIFO to make a data transfer, which is not a good investment of its time. It also limits the total data throughput you can achieve.

RP2040 is equipped with a powerful *direct memory access* unit (DMA), which can transfer data for you in the background. Suitably programmed, the DMA can make quite long sequences of transfers without supervision. Up to one word per system clock can be transferred to or from a PIO state machine, which is, to be quite technically precise, more bandwidth than you can shake a stick at. The bandwidth is shared across all state machines, but you can use the full amount on *one* state machine.

Let's take a look at the `logic_analyser` example, which uses PIO to sample some of RP2040's own pins, and capture a logic trace of what is going on there, at full system speed.

Pico Examples: https://github.com/raspberrypi/pico-examples/blob/master/pio/logic_analyser/logic_analyser.c Lines 40 - 63

```

40 void logic_analyser_init(PIO pio, uint sm, uint pin_base, uint pin_count, float div) {
41     // Load a program to capture n pins. This is just a single `in pins, n`
42     // instruction with a wrap.
43     uint16_t capture_prog_instr = pio_encode_in(pio_pins, pin_count);
44     struct pio_program capture_prog = {
45         .instructions = &capture_prog_instr,
46         .length = 1,
47         .origin = -1
48     };
49     uint offset = pio_add_program(pio, &capture_prog);
50
51     // Configure state machine to loop over this `in` instruction forever,
52     // with autopush enabled.
53     pio_sm_config c = pio_get_default_sm_config();
54     sm_config_set_in_pins(&c, pin_base);
55     sm_config_set_wrap(&c, offset, offset);
56     sm_config_set_clkdiv(&c, div);
57     // Note that we may push at a < 32 bit threshold if pin_count does not
58     // divide 32. We are using shift-to-right, so the sample data ends up
59     // left-justified in the FIFO in this case, with some zeroes at the LSBs.
60     sm_config_set_in_shift(&c, true, true, bits_packed_per_word(pin_count));
61     sm_config_set_fifo_join(&c, PIO_FIFO_JOIN_RX);
62     pio_sm_init(pio, sm, offset, &c);
63 }

```

Our program consists only of a single `in pins, <pin_count>` instruction, with program wrapping and autopull enabled. Because the amount of data to be shifted is only known at runtime, and because the program is so short, we are generating the program dynamically here (using the `pio_encode_` functions) instead of pushing it through `pioasm`. The program is wrapped in a data structure stating how big the program is, and where it must be loaded – in this case `origin = -1` meaning "don't care".

Input Shift Register

The *input shift register* (ISR) is the mirror image of the OSR. Generally data flows through a state machine in one of two directions: System → TX FIFO → OSR → Pins, or Pins → ISR → RX FIFO → System. An `in` instruction shifts data into the ISR.

If you don't need the ISR's shifting ability – for example, if your program is output-only – you can use the ISR as a third scratch register. It's 32 bits in size, the same as X, Y and the OSR. The full details are in the [RP2040 Datasheet](#).

We load the program into the chosen PIO, and then configure the input pin mapping on the chosen state machine so that its `in pins` instruction will see the pins we care about. For an `in` instruction we only need to worry about configuring the base pin, i.e. the pin which is the least significant bit of the `in` instruction's sample. The number of pins to be sampled is determined by the bit count parameter of the `in pins` instruction – it will sample *n* pins starting at the base we specified, and shift them into the ISR.

Pin Groups (Mapping)

We mentioned earlier that there are four pin groups to configure, to connect a state machine's internal data buses to the GPIOs it manipulates. A state machine accesses all pins within a group at once, and pin groups can overlap. So far we have seen the *out*, *side-set* and *in* pin groups. The fourth is *set*.

The out group is the pins affected by shifting out data from the OSR, using `out pins` or `out pindirs`, up to 32 bits at a time. The set group is used with `set pins` and `set pindirs` instructions, up to 5 bits at a time, with data that is encoded directly in the instruction. It's useful for toggling control signals. The side-set group is similar to the set group, but runs simultaneously with another instruction. Note: `mov pin` uses the in or out group, depending on direction.

Configuring the clock divider optionally slows down the state machine's execution: a clock divisor of n means 1 instruction will be executed per n system clock cycles. The default system clock frequency for SDK is 125MHz.

`sm_config_set_in_shift` sets the shift direction to rightward, enables autopush, and sets the autopush threshold to 32. The state machine keeps an eye on the total amount of data shifted into the ISR, and on the `in` which reaches or breaches a total shift count of 32 (or whatever number you have configured), the ISR contents, along with the new data from the `in`, goes straight to the RX FIFO. The ISR is cleared to zero in the same operation.

`sm_config_set_fifo_join` is used to manipulate the FIFOs so that the DMA can get more throughput. If we want to sample every pin on every clock cycle, that's a lot of bandwidth! We've finished describing how the state machine should be configured, so we use `pio_sm_init` to load the configuration into the state machine, and get the state machine into a clean initial state.

FIFO Joining

Each state machine is equipped with a FIFO going in each direction: the TX FIFO buffers data on its way out of the system, and the RX FIFO does the same for data coming in. Each FIFO has four data slots, each holding 32 bits of data. Generally you want FIFOs to be as deep as possible, so there is more slack time between the timing-critical operation of a peripheral, and data transfers from system agents which may be quite busy or have high access latency. However this comes with significant hardware cost.

If you are only using one of the two FIFOs – TX or RX – a state machine can pool its resources to provide a single FIFO with double the depth. The [RP2040 Datasheet](#) goes into much more detail, including how this mechanism actually works under the hood.

Our state machine is ready to sample some pins. Let's take a look at how we hook up the DMA to our state machine, and tell the state machine to start sampling once it sees some trigger condition.

Pico Examples: https://github.com/raspberrypi/pico-examples/blob/master/pio/logic_analyser/logic_analyser.c Lines 65 - 87

```

65 void logic_analyser_arm(PIO pio, uint sm, uint dma_chan, uint32_t *capture_buf, size_t
    capture_size_words,
66     uint trigger_pin, bool trigger_level) {
67     pio_sm_set_enabled(pio, sm, false);
68     // Need to clear _input shift counter_, as well as FIFO, because there may be
69     // partial ISR contents left over from a previous run. sm_restart does this.
70     pio_sm_clear_fifos(pio, sm);
71     pio_sm_restart(pio, sm);
72
73     dma_channel_config c = dma_channel_get_default_config(dma_chan);
74     channel_config_set_read_increment(&c, false);
75     channel_config_set_write_increment(&c, true);
76     channel_config_set_dreq(&c, pio_get_dreq(pio, sm, false));
77
78     dma_channel_configure(dma_chan, &c,
79         capture_buf, // Destination pointer
80         &pio->rxf[sm], // Source pointer
81         capture_size_words, // Number of transfers

```

```

82     true           // Start immediately
83 );
84
85     pio_sm_exec(pio, sm, pio_encode_wait_gpio(trigger_level, trigger_pin));
86     pio_sm_set_enabled(pio, sm, true);
87 }

```

We want the DMA to read from the RX FIFO on our PIO state machine, so every DMA read is from the same address. The *write* address, on the other hand, should increment after every DMA transfer so that the DMA gradually fills up our capture buffer as data comes in. We need to specify a *data request* signal (DREQ) so that the DMA transfers data at the proper rate.

Data request signals

The DMA can transfer data incredibly fast, and almost invariably this will be much faster than your PIO program actually needs. The DMA paces itself based on a data request handshake with the state machine, so there's no worry about it overflowing or underflowing a FIFO, as long as you have selected the correct DREQ signal. The state machine coordinates with the DMA to tell it when it has room available in its TX FIFO, or data available in its RX FIFO.

We need to provide the DMA channel with an initial read address, an initial write address, and the total number of reads/writes to be performed (*not* the total number of bytes). We start the DMA channel immediately – from this point on, the DMA is poised, waiting for the state machine to produce data. As soon as data appears in the RX FIFO, the DMA will pounce and whisk the data away to our capture buffer in system memory.

As things stand right now, the state machine will immediately go into a 1-cycle loop of *in* instructions once enabled. Since the system memory available for capture is quite limited, it would be better for the state machine to wait for some trigger before it starts sampling. Specifically, we are using a *wait pin* instruction to stall the state machine until a certain pin goes high or low, and again we are using one of the *pio_encode_* functions to encode this instruction on-the-fly.

pio_sm_exec tells the state machine to immediately execute some instruction you give it. This instruction never gets written to the instruction memory, and if the instruction stalls (as it will in this case – a *wait* instruction's job is to stall) then the state machine will latch the instruction until it completes. With the state machine stalled on the *wait* instruction, we can enable it without being immediately flooded by data.

At this point everything is armed and waiting for the trigger signal from the chosen GPIO. This will lead to the following sequence of events:

1. The *wait* instruction will clear
2. On the very next cycle, state machine will start to execute *in* instructions from the program memory
3. As soon as data appears in the RX FIFO, the DMA will start to transfer it.
4. Once the requested amount of data has been transferred by the DMA, it'll automatically stop

State Machine EXEC Functionality

So far our state machines have executed instructions from the instruction memory, but there are other options. One is the *SMx_INSTR* register (used by *pio_sm_exec()*): the state machine will immediately execute whatever you write here, momentarily interrupting the current program it's running if necessary. This is useful for poking around inside the state machine from the system side, for initial setup.

The other two options, which use the same underlying hardware, are *out exec* (shift out an instruction from the data being streamed through the OSR, and execute it) and *mov exec* (execute an instruction stashed in e.g. a scratch register). Besides making people's eyes bulge, these are really useful if you want the state machine to perform some data-defined operation at a certain point in an output stream.

The example code provides this cute function for displaying the captured logic trace as ASCII art in a terminal:

Pico Examples: https://github.com/raspberrypi/pico-examples/blob/master/pio/logic_analyser/logic_analyser.c Lines 89 - 108

```

89 void print_capture_buf(const uint32_t *buf, uint pin_base, uint pin_count, uint32_t
    n_samples) {
90     // Display the capture buffer in text form, like this:
91     // 00: -----
92     // 01: -----
93     printf("Capture:\n");
94     // Each FIFO record may be only partially filled with bits, depending on
95     // whether pin_count is a factor of 32.
96     uint record_size_bits = bits_packed_per_word(pin_count);
97     for (int pin = 0; pin < pin_count; ++pin) {
98         printf("%02d: ", pin + pin_base);
99         for (int sample = 0; sample < n_samples; ++sample) {
100             uint bit_index = pin + sample * pin_count;
101             uint word_index = bit_index / record_size_bits;
102             // Data is left-justified in each FIFO entry, hence the (32 - record_size_bits)
            offset
103             uint word_mask = 1u << (bit_index % record_size_bits + 32 - record_size_bits);
104             printf(buf[word_index] & word_mask ? "-" : "_");
105         }
106         printf("\n");
107     }
108 }

```

We have everything we need now for RP2040 to capture a logic trace of its own pins, whilst running some other program. Here we're setting up a PWM slice to output at around 15MHz on two GPIOs, and attaching our brand spanking new logic analyser to those same two GPIOs.

Pico Examples: https://github.com/raspberrypi/pico-examples/blob/master/pio/logic_analyser/logic_analyser.c Lines 110 - 159

```

110 int main() {
111     stdio_init_all();
112     printf("PIO logic analyser example\n");
113
114     // We're going to capture into a u32 buffer, for best DMA efficiency. Need
115     // to be careful of rounding in case the number of pins being sampled
116     // isn't a power of 2.
117     uint total_sample_bits = CAPTURE_N_SAMPLES * CAPTURE_PIN_COUNT;
118     total_sample_bits += bits_packed_per_word(CAPTURE_PIN_COUNT) - 1;
119     uint buf_size_words = total_sample_bits / bits_packed_per_word(CAPTURE_PIN_COUNT);
120     uint32_t *capture_buf = malloc(buf_size_words * sizeof(uint32_t));
121     hard_assert(capture_buf);
122
123     // Grant high bus priority to the DMA, so it can shove the processors out
124     // of the way. This should only be needed if you are pushing things up to
125     // >16bits/clock here, i.e. if you need to saturate the bus completely.
126     bus_ctrl_hw->priority = BUSCTRL_BUS_PRIORITY_DMA_W_BITS |
        BUSCTRL_BUS_PRIORITY_DMA_R_BITS;
127
128     PIO pio = pio0;
129     uint sm = 0;
130     uint dma_chan = 0;
131
132     logic_analyser_init(pio, sm, CAPTURE_PIN_BASE, CAPTURE_PIN_COUNT, 1.f);
133
134     printf("Arming trigger\n");
135     logic_analyser_arm(pio, sm, dma_chan, capture_buf, buf_size_words, CAPTURE_PIN_BASE,
        true);
136
137     printf("Starting PWM example\n");

```



```

138 // PWM example: -----
139 gpio_set_function(CAPTURE_PIN_BASE, GPIO_FUNC_PWM);
140 gpio_set_function(CAPTURE_PIN_BASE + 1, GPIO_FUNC_PWM);
141 // Topmost value of 3: count from 0 to 3 and then wrap, so period is 4 cycles
142 pwm_hw->slice[0].top = 3;
143 // Divide frequency by two to slow things down a little
144 pwm_hw->slice[0].div = 4 << PWM_CH0_DIV_INT_LSB;
145 // Set channel A to be high for 1 cycle each period (duty cycle 1/4) and
146 // channel B for 3 cycles (duty cycle 3/4)
147 pwm_hw->slice[0].cc =
148     (1 << PWM_CH0_CC_A_LSB) |
149     (3 << PWM_CH0_CC_B_LSB);
150 // Enable this PWM slice
151 pwm_hw->slice[0].csr = PWM_CH0_CSR_EN_BITS;
152 // -----
153
154 // The logic analyser should have started capturing as soon as it saw the
155 // first transition. Wait until the last sample comes in from the DMA.
156 dma_channel_wait_for_finish_blocking(dma_chan);
157
158 print_capture_buf(capture_buf, CAPTURE_PIN_BASE, CAPTURE_PIN_COUNT, CAPTURE_N_SAMPLES);
159 }

```

The output of the program looks like this:

```

Starting PWM example
Capture:
16: -----
17: -----

```

3.2.4. Further examples

Hopefully what you have seen so far has given some idea of how PIO applications can be built with the SDK. The [RP2040 Datasheet](#) contains *many* more documented examples, which highlight particular hardware features of PIO, or show how particular hardware interfaces can be implemented.

You can also browse the `pio/` directory in the [Pico Examples](#) repository.

3.3. Using PIOASM, the PIO Assembler

Up until now, we have glossed over the details of how the assembly program in our `.pio` file is translated into a binary program, ready to be loaded into our PIO state machine. Programs that handle this task – translating assembly code into binary – are generally referred to as *assemblers*, and PIO is no exception in this regard. The SDK includes an assembler for PIO, called `pioasm`. The SDK handles the details of building this tool for you behind the scenes, and then using it to build your PIO programs, for you to `#include` from your C or C++ program. `pioasm` can also be used directly, and has a few features not used by the C++ SDK, such as generating programs suitable for use with the MicroPython PIO library.

If you have built the `pico-examples` repository at any point, you will likely already have a `pioasm` binary in your build directory, located under `build/tools/pioasm/pioasm`, which was bootstrapped for you before building any applications that depend on it. If we want a standalone copy of `pioasm`, perhaps just to explore the available command-line options, we can obtain it as follows (assuming the SDK is extracted at `$PICO_SDK_PATH`):

```
$ mkdir pioasm_build
$ cd pioasm_build
$ cmake $PICO_SDK_PATH/tools/pioasm
$ make
```

And then invoke as:

```
$ ./pioasm
```

3.3.1. Usage

A description of the command line arguments can be obtained by running:

```
$ pioasm -?
```

giving:

```
usage: pioasm <options> <input> (<output>)

Assemble file of PIO program(s) for use in applications.
<input>          the input filename
<output>        the output filename (or filename prefix if the output
                 format produces multiple outputs).
                 if not specified, a single output will be written to stdout

options:
-o <output_format>  select output_format (default 'c-sdk'); available options are:
                   c-sdk
                   C header suitable for use with the Raspberry Pi Pico SDK
                   python
                   Python file suitable for use with MicroPython
                   hex
                   Raw hex output (only valid for single program inputs)
-p <output_param>  add a parameter to be passed to the outputter
-?, --help         print this help and exit
```

i NOTE

Within the SDK you do not need to invoke `pioasm` directly, as the `CMake` function `pico_generate_pio_header(TARGET PIO_FILE)` takes care of invoking `pioasm` and adding the generated header to the include path of the target `TARGET` for you.

3.3.2. Directives

The following directives control the assembly of PIO programs:

Table 5. `pioasm` directives

<code>.define (PUBLIC) <symbol> <value></code>	Define an integer symbol named <code><symbol></code> with the value <code><value></code> (see Section 3.3.3). If this <code>.define</code> appears before the first program in the input file, then the define is global to all programs, otherwise it is local to the program in which it occurs. If <code>PUBLIC</code> is specified the symbol will be emitted into the assembled output for use by user code. For the SDK this takes the form of: <code>#define <program_name>_<symbol> value</code> for program symbols or <code>#define <symbol> value</code> for global symbols
<code>.program <name></code>	Start a new program with the name <code><name></code> . Note that that name is used in code so should be alphanumeric/underscore not starting with a digit. The program lasts until another <code>.program</code> directive or the end of the source file. PIO instructions are only allowed within a program
<code>.origin <offset></code>	Optional directive to specify the PIO instruction memory offset at which the program <i>must</i> load. Most commonly this is used for programs that must load at offset 0, because they use data based Jumps with the (absolute) jmp target being stored in only a few bits. This directive is invalid outside of a program
<code>.side_set <count> (opt) (pindirs)</code>	If this directive is present, <code><count></code> indicates the number of side-set bits to be used. Additionally <code>opt</code> may be specified to indicate that a <code>side <value></code> is optional for instructions (note this requires stealing an extra bit – in addition to the <code><count></code> bits – from those available for the instruction delay). Finally, <code>pindirs</code> may be specified to indicate that the side set values should be applied to the PINDIRs and not the PINs. This directive is only valid within a program before the first instruction
<code>.wrap_target</code>	Place prior to an instruction, this directive specifies the instruction where execution continues due to program wrapping. This directive is invalid outside of a program, may only be used once within a program, and if not specified defaults to the start of the program
<code>.wrap</code>	Placed after an instruction, this directive specifies the instruction after which, in normal control flow (i.e. <code>jmp</code> with false condition, or no <code>jmp</code>), the program wraps (to <code>.wrap_target</code> instruction). This directive is invalid outside of a program, may only be used once within a program, and if not specified defaults to after the last program instruction.
<code>.lang_opt <lang> <name> <option></code>	Specifies an option for the program related to a particular language generator. (See Section 3.3.10). This directive is invalid outside of a program
<code>.word <value></code>	Stores a raw 16-bit value as an instruction in the program. This directive is invalid outside of a program.

3.3.3. Values

The following types of values can be used to define integer numbers or branch targets

Table 6. Values in pioasm, i.e. `<value>`

<code>integer</code>	An integer value e.g. 3 or -7
<code>hex</code>	A hexadecimal value e.g. <code>0xf</code>
<code>binary</code>	A binary value e.g. <code>0b1001</code>
<code>symbol</code>	A value defined by a <code>.define</code> (see [pioasm_define])
<code><label></code>	The instruction offset of the label within the program. This makes most sense when used with a JMP instruction (see Section 3.4.2)
<code>(<expression>)</code>	An expression to be evaluated; see expressions . Note that the parentheses are necessary.

3.3.4. Expressions

Expressions may be freely used within pioasm values.

Table 7. Expressions in pioasm i.e. <expression>

<expression> + <expression>	The sum of two expressions
<expression> - <expression>	The difference of two expressions
<expression> * <expression>	The multiplication of two expressions
<expression> / <expression>	The integer division of two expressions
- <expression>	The negation of another expression
:: <expression>	The bit reverse of another expression
<value>	Any value (see Section 3.3.3)

3.3.5. Comments

Line comments are supported with // or ;

C-style block comments are supported via /* and */

3.3.6. Labels

Labels are of the form:

<symbol>:

or

PUBLIC <symbol>:

at the start of a line.

TIP

A label is really just an automatic `.define` with a value set to the current program instruction offset. A `PUBLIC` label is exposed to the user code in the same way as a `PUBLIC .define`.

3.3.7. Instructions

All pioasm instructions follow a common pattern:

<instruction> (side <side_set_value>) (<delay_value>)

where:

<instruction> Is an assembly instruction detailed in the following sections. (See [Section 3.4](#))

<side_set_value> Is a value (see [Section 3.3.3](#)) to apply to the side_set pins at the start of the instruction. Note that the rules for a side-set value via `side <side_set_value>` are dependent on the `.side_set` (see [\[pioasm_side_set\]](#)) directive for the program. If no `.side_set` is specified then the `side <side_set_value>` is invalid, if an optional number of sideset pins is specified then `side <side_set_value>` may be present, and if a non-optional number of sideset pins is specified, then `side <side_set_value>` is required. The `<side_set_value>` must fit within the number of side-set bits specified in the `.side_set` directive.

`<delay_value>` Specifies the number of cycles to delay after the instruction completes. The `delay_value` is specified as a value (see [Section 3.3.3](#)), and in general is between 0 and 31 inclusive (a 5-bit value), however the number of bits is reduced when sideset is enabled via the `.side_set` (see [\[pioasm_side_set\]](#)) directive. If the `<delay_value>` is not present, then the instruction has no delay

i NOTE

pioasm instruction names, keywords and directives are case insensitive; lower case is used in the *Assembly Syntax* sections below as this is the style used in the SDK.

i NOTE

Commas appear in some *Assembly Syntax* sections below, but are entirely optional, e.g. `out pins, 3` may be written `out pins 3`, and `jmp x-- label` may be written as `jmp x--, label`. The *Assembly Syntax* sections below uses the first style in each case as this is the style used in the SDK.

3.3.8. Pseudoinstructions

Currently pioasm provides one pseudoinstruction, as a convenience:

`nop` Assembles to `mov y, y`. "No operation", has no particular side effect, but a useful vehicle for a side-set operation or an extra delay.

3.3.9. Output pass through

Text in the PIO file may be passed, unmodified, to the output based on the language generator being used.

For example the following (comment and function) would be included in the generated header when the default `c-sdk` language generator is used.

```
% c-sdk {
// an inline function (since this is going in a header file)
static inline int some_c_code() {
    return 0;
}
%}
```

The general format is

```
% target {
pass through contents
%}
```

with `targets` being recognized by a particular language generator (see [Section 3.3.10](#); note that `target` is usually the language generator name e.g. `c-sdk`, but could potentially be `some_language.some_group` if the language generator supports different classes of pass through with different output locations.

This facility allows you to encapsulate both the PIO program and the associated setup required in the same source file. See [Section 3.3.10](#) for a more complete example.

3.3.10. Language generators

The following example shows a multi program source file (with multiple programs) which we will use to highlight c-sdk and python output features

Pico Examples: <https://github.com/raspberrypi/pico-examples/blob/master/pio/ws2812/ws2812.pio>

```

1 ;
2 ; Copyright (c) 2020 Raspberry Pi (Trading) Ltd.
3 ;
4 ; SPDX-License-Identifier: BSD-3-Clause
5 ;
6
7 .program ws2812
8 .side_set 1
9
10 .define public T1 2
11 .define public T2 5
12 .define public T3 3
13
14 .lang_opt python sideset_init = pico.PIO.OUT_HIGH
15 .lang_opt python out_init     = pico.PIO.OUT_HIGH
16 .lang_opt python out_shiftdir = 1
17
18 .wrap_target
19 bitloop:
20     out x, 1          side 0 [T3 - 1] ; Side-set still takes place when instruction stalls
21     jmp !x do_zero side 1 [T1 - 1] ; Branch on the bit we shifted out. Positive pulse
22 do_one:
23     jmp bitloop     side 1 [T2 - 1] ; Continue driving high, for a long pulse
24 do_zero:
25     nop             side 0 [T2 - 1] ; Or drive low, for a short pulse
26 .wrap
27
28 % c-sdk {
29 #include "hardware/clocks.h"
30
31 static inline void ws2812_program_init(PIO pio, uint sm, uint offset, uint pin, float freq,
    bool rgbw) {
32
33     pio_gpio_init(pio, pin);
34     pio_sm_set_consecutive_pindirs(pio, sm, pin, 1, true);
35
36     pio_sm_config c = ws2812_program_get_default_config(offset);
37     sm_config_set_sideset_pins(&c, pin);
38     sm_config_set_out_shift(&c, false, true, rgbw ? 32 : 24);
39     sm_config_set_fifo_join(&c, PIO_FIFO_JOIN_TX);
40
41     int cycles_per_bit = ws2812_T1 + ws2812_T2 + ws2812_T3;
42     float div = clock_get_hz(clk_sys) / (freq * cycles_per_bit);
43     sm_config_set_clkdiv(&c, div);
44
45     pio_sm_init(pio, sm, offset, &c);
46     pio_sm_set_enabled(pio, sm, true);
47 }
48 %}
49
50 .program ws2812_parallel
51
52 .define public T1 2
53 .define public T2 5
54 .define public T3 3
55

```

```

56 .wrap_target
57     out x, 32
58     mov pins, !null [T1-1]
59     mov pins, x    [T2-1]
60     mov pins, null [T3-2]
61 .wrap
62
63 % c-sdk {
64 #include "hardware/clocks.h"
65
66 static inline void ws2812_parallel_program_init(PIO pio, uint sm, uint offset, uint pin_base,
        uint pin_count, float freq) {
67     for(uint i=pin_base; i<pin_base+pin_count; i++) {
68         pio_gpio_init(pio, i);
69     }
70     pio_sm_set_consecutive_pindirs(pio, sm, pin_base, pin_count, true);
71
72     pio_sm_config c = ws2812_parallel_program_get_default_config(offset);
73     sm_config_set_out_shift(&c, true, true, 32);
74     sm_config_set_out_pins(&c, pin_base, pin_count);
75     sm_config_set_set_pins(&c, pin_base, pin_count);
76     sm_config_set_fifo_join(&c, PIO_FIFO_JOIN_TX);
77
78     int cycles_per_bit = ws2812_parallel_T1 + ws2812_parallel_T2 + ws2812_parallel_T3;
79     float div = clock_get_hz(clk_sys) / (freq * cycles_per_bit);
80     sm_config_set_clkdiv(&c, div);
81
82     pio_sm_init(pio, sm, offset, &c);
83     pio_sm_set_enabled(pio, sm, true);
84 }
85 %}

```

3.3.10.1. c-sdk

The c-sdk language generator produces a single header file with all the programs in the PIO source file:

The pass through sections (% c-sdk {) are embedded in the output, and the PUBLIC defines are available via #define

TIP

pioasm creates a function for each program (e.g. ws2812_program_get_default_config()) returning a pio_sm_config based on the .side_set, .wrap and .wrap_target settings of the program, which you can then use as a basis for configuration the PIO state machine.

Pico Examples: <https://github.com/raspberrypi/pico-examples/blob/master/pio/ws2812/generated/ws2812.pio.h>

```

1 // ----- //
2 // This file is autogenerated by pioasm; do not edit! //
3 // ----- //
4
5 #pragma once
6
7 #if !PICO_NO_HARDWARE
8 #include "hardware/pio.h"
9 #endif
10
11 // ----- //
12 // ws2812 //
13 // ----- //
14

```

```

15 #define ws2812_wrap_target 0
16 #define ws2812_wrap 3
17
18 #define ws2812_T1 2
19 #define ws2812_T2 5
20 #define ws2812_T3 3
21
22 static const uint16_t ws2812_program_instructions[] = {
23     //      .wrap_target
24     0x6221, // 0: out   x, 1           side 0 [2]
25     0x1123, // 1: jmp   !x, 3           side 1 [1]
26     0x1400, // 2: jmp   0                side 1 [4]
27     0xa442, // 3: nop                    side 0 [4]
28     //      .wrap
29 };
30
31 #if !PICO_NO_HARDWARE
32 static const struct pio_program ws2812_program = {
33     .instructions = ws2812_program_instructions,
34     .length = 4,
35     .origin = -1,
36 };
37
38 static inline pio_sm_config ws2812_program_get_default_config(uint offset) {
39     pio_sm_config c = pio_get_default_sm_config();
40     sm_config_set_wrap(&c, offset + ws2812_wrap_target, offset + ws2812_wrap);
41     sm_config_set_sideset(&c, 1, false, false);
42     return c;
43 }
44
45 #include "hardware/clocks.h"
46 static inline void ws2812_program_init(PIO pio, uint sm, uint offset, uint pin, float freq,
47     bool rgbw) {
48     pio_gpio_init(pio, pin);
49     pio_sm_set_consecutive_pindirs(pio, sm, pin, 1, true);
50     pio_sm_config c = ws2812_program_get_default_config(offset);
51     sm_config_set_out_shift(&c, false, true, rgbw ? 32 : 24);
52     sm_config_set_fifo_join(&c, PIO_FIFO_JOIN_TX);
53     int cycles_per_bit = ws2812_T1 + ws2812_T2 + ws2812_T3;
54     float div = clock_get_hz(clk_sys) / (freq * cycles_per_bit);
55     sm_config_set_clkdiv(&c, div);
56     pio_sm_init(pio, sm, offset, &c);
57     pio_sm_set_enabled(pio, sm, true);
58 }
59
60 #endif
61
62 // ----- //
63 // ws2812_parallel //
64 // ----- //
65
66 #define ws2812_parallel_wrap_target 0
67 #define ws2812_parallel_wrap 3
68
69 #define ws2812_parallel_T1 2
70 #define ws2812_parallel_T2 5
71 #define ws2812_parallel_T3 3
72
73 static const uint16_t ws2812_parallel_program_instructions[] = {
74     //      .wrap_target
75     0x6020, // 0: out   x, 32
76     0xa10b, // 1: mov   pins, !null      [1]
77     0xa401, // 2: mov   pins, x          [4]

```



```

78     0xa103, // 3: mov    pins, null          [1]
79         //      .wrap
80 };
81
82 #if !PICO_NO_HARDWARE
83 static const struct pio_program ws2812_parallel_program = {
84     .instructions = ws2812_parallel_program_instructions,
85     .length = 4,
86     .origin = -1,
87 };
88
89 static inline pio_sm_config ws2812_parallel_program_get_default_config(uint offset) {
90     pio_sm_config c = pio_get_default_sm_config();
91     sm_config_set_wrap(&c, offset + ws2812_parallel_wrap_target, offset +
92         ws2812_parallel_wrap);
93     return c;
94 }
95 #include "hardware/clocks.h"
96 static inline void ws2812_parallel_program_init(PIO pio, uint sm, uint offset, uint
97     pin_base, uint pin_count, float freq) {
98     for(uint i=pin_base; i<pin_base+pin_count; i++) {
99         pio_gpio_init(pio, i);
100    }
101    pio_sm_set_consecutive_pindirs(pio, sm, pin_base, pin_count, true);
102    pio_sm_config c = ws2812_parallel_program_get_default_config(offset);
103    sm_config_set_out_shift(&c, true, true, 32);
104    sm_config_set_out_pins(&c, pin_base, pin_count);
105    sm_config_set_set_pins(&c, pin_base, pin_count);
106    sm_config_set_fifo_join(&c, PIO_FIFO_JOIN_TX);
107    int cycles_per_bit = ws2812_parallel_T1 + ws2812_parallel_T2 + ws2812_parallel_T3;
108    float div = clock_get_hz(clk_sys) / (freq * cycles_per_bit);
109    sm_config_set_clkdiv(&c, div);
110    pio_sm_init(pio, sm, offset, &c);
111    pio_sm_set_enabled(pio, sm, true);
112 }
113 #endif

```

3.3.10.2. python

The python language generator produces a single python file with all the programs in the PIO source file:

The pass through sections (% python {}) would be embedded in the output, and the PUBLIC defines are available as python variables.

Also note the use of .lang_opt python to pass initializers for the @pico.asm_pio decorator

TIP

The python language output is provided as a utility. MicroPython supports programming with the PIO natively, so you may only want to use pioasm when sharing PIO code between the SDK and MicroPython. No effort is currently made to preserve label names, symbols or comments, as it is assumed you are either using the PIO file as a source or python; not both. The python language output can of course be used to bootstrap your MicroPython PIO development based on an existing PIO file.

Pico Examples: <https://github.com/raspberrypi/pico-examples/blob/master/pio/ws2812/generated/ws2812.py>

```

1 # ----- #
2 # This file is autogenerated by pioasm; do not edit! #
3 # ----- #
4
5 import rp2
6 from machine import Pin
7 # ----- #
8 # ws2812 #
9 # ----- #
10
11 ws2812_T1 = 2
12 ws2812_T2 = 5
13 ws2812_T3 = 3
14
15 @rp2.asm_pio(sideset_init=pico.PIO.OUT_HIGH, out_init=pico.PIO.OUT_HIGH, out_shiftdir=1)
16 def ws2812():
17     wrap_target()
18     label("0")
19     out(x, 1)                .side(0) [2] # 0
20     jmp(not_x, "3")         .side(1) [1] # 1
21     jmp("0")               .side(1) [4] # 2
22     label("3")
23     nop()                   .side(0) [4] # 3
24     wrap()
25
26
27
28 # ----- #
29 # ws2812_parallel #
30 # ----- #
31
32 ws2812_parallel_T1 = 2
33 ws2812_parallel_T2 = 5
34 ws2812_parallel_T3 = 3
35
36 @rp2.asm_pio()
37 def ws2812_parallel():
38     wrap_target()
39     out(x, 32)                # 0
40     mov(pins, invert(null))   [1] # 1
41     mov(pins, x)              [4] # 2
42     mov(pins, null)          [1] # 3
43     wrap()

```

3.3.10.3. hex

The hex generator only supports a single input program, as it just dumps the raw instructions (one per line) as a 4-character hexadecimal number.

Given:

Pico Examples: <https://github.com/raspberrypi/pico-examples/blob/master/pio/squarewave/squarewave.pio>

```

1 ;
2 ; Copyright (c) 2020 Raspberry Pi (Trading) Ltd.
3 ;
4 ; SPDX-License-Identifier: BSD-3-Clause
5 ;

```

```

6
7 .program squarewave
8   set pindirs, 1   ; Set pin to output
9 again:
10  set pins, 1 [1] ; Drive pin high and then delay for one cycle
11  set pins, 0     ; Drive pin low
12  jmp again      ; Set PC to label `again`

```

The `hex` output produces:

Pico Examples: <https://github.com/raspberrypi/pico-examples/blob/master/pio/squarewave/generated/squarewave.hex>

```

1 e081
2 e101
3 e000
4 0001

```

3.4. PIO Instruction Set Reference

i NOTE

This section refers in places to concepts and pieces of hardware discussed in the [RP2040 Datasheet](#). You are encouraged to read the PIO chapter of the datasheet to get the full context for what these instructions do.

3.4.1. Summary

PIO instructions are 16 bits long, and have the following encoding:

Table 8. PIO instruction encoding

Bit:	15	14	13	12	11	10	9	8	7	6	5	4	3	2	1	0	
JMP	0	0	0	Delay/side-set				Condition			Address						
WAIT	0	0	1	Delay/side-set				Pol	Source		Index						
IN	0	1	0	Delay/side-set				Source			Bit count						
OUT	0	1	1	Delay/side-set				Destination			Bit count						
PUSH	1	0	0	Delay/side-set				0	IfF	Blk	0	0	0	0	0	0	0
PULL	1	0	0	Delay/side-set				1	IfE	Blk	0	0	0	0	0	0	0
MOV	1	0	1	Delay/side-set				Destination			Op		Source				
IRQ	1	1	0	Delay/side-set				0	Clr	Wait	Index						
SET	1	1	1	Delay/side-set				Destination			Data						

All PIO instructions execute in one clock cycle.

The `Delay/side-set` field is present in all instructions. Its exact use is configured for each state machine by `PINCTRL_SIDESET_COUNT`:

- Up to 5 MSBs encode a side-set operation, which optionally asserts a constant value onto some GPIOs, concurrently with main instruction execution logic
- Remaining LSBs (up to 5) encode the number of idle cycles inserted between this instruction and the next

3.4.2. JMP

3.4.2.1. Encoding

Bit:	15	14	13	12	11	10	9	8	7	6	5	4	3	2	1	0
JMP	0	0	0	Delay/side-set				Condition			Address					

3.4.2.2. Operation

Set program counter to **Address** if **Condition** is true, otherwise no operation.

Delay cycles on a **JMP** always take effect, whether **Condition** is true or false, and they take place *after* **Condition** is evaluated and the program counter is updated.

- Condition:
 - 000: (*no condition*): Always
 - 001: **!X**: scratch X zero
 - 010: **X--**: scratch X non-zero, prior to decrement
 - 011: **!Y**: scratch Y zero
 - 100: **Y--**: scratch Y non-zero, prior to decrement
 - 101: **X!=Y**: scratch X not equal scratch Y
 - 110: **PIN**: branch on input pin
 - 111: **!OSRE**: output shift register not empty
- Address: Instruction address to jump to. In the instruction encoding this is an absolute address within the PIO instruction memory.

JMP PIN branches on the GPIO selected by **EXECCTRL_JMP_PIN**, a configuration field which selects one out of the maximum of 32 GPIO inputs visible to a state machine, independently of the state machine's other input mapping. The branch is taken if the GPIO is high.

!OSRE compares the bits shifted out since the last **PULL** with the shift count threshold configured by **SHIFTCTRL_PULL_THRESH**. This is the same threshold used by **autopull**.

JMP X-- and **JMP Y--** always decrement scratch register X or Y, respectively. The decrement is not conditional on the current value of the scratch register. The branch is conditioned on the *initial* value of the register, i.e. before the decrement took place: if the register is initially nonzero, the branch is taken.

3.4.2.3. Assembler Syntax

```
jmp (<cond>) <target>
```

where:

- <cond>** Is an optional condition listed above (e.g. **!x** for scratch X zero). If a condition code is not specified, the branch is always taken
- <target>** Is a program label or value (see [Section 3.3.3](#)) representing instruction offset within the program (the first instruction being offset 0). Note that because the PIO JMP instruction uses absolute addresses in the PIO instruction memory, JMPs need to be adjusted based on the program load offset at runtime. This is handled for you when loading a program with the SDK, but care should be taken when encoding JMP instructions for use by **OUT EXEC**

3.4.3. WAIT

3.4.3.1. Encoding

Bit:	15	14	13	12	11	10	9	8	7	6	5	4	3	2	1	0
WAIT	0	0	1	Delay/side-set				Pol	Source		Index					

3.4.3.2. Operation

Stall until some condition is met.

Like all stalling instructions, delay cycles begin after the instruction *completes*. That is, if any delay cycles are present, they do not begin counting until *after* the wait condition is met.

- Polarity:
 - 1: wait for a 1.
 - 0: wait for a 0.
- Source: what to wait on. Values are:
 - 00: **GPIO**: System GPIO input selected by *Index*. This is an absolute GPIO index, and is not affected by the state machine's input IO mapping.
 - 01: **PIN**: Input pin selected by *Index*. This state machine's input IO mapping is applied first, and then *Index* selects which of the mapped bits to wait on. In other words, the pin is selected by adding *Index* to the **PINCTRL_IN_BASE** configuration, modulo 32.
 - 10: **IRQ**: PIO IRQ flag selected by *Index*
 - 11: Reserved
- Index: which pin or bit to check.

WAIT x **IRQ** behaves slightly differently from other **WAIT** sources:

- If **Polarity** is 1, the selected IRQ flag is cleared by the state machine upon the wait condition being met.
- The flag index is decoded in the same way as the **IRQ** index field: if the MSB is set, the state machine ID (0..3) is added to the IRQ index, by way of modulo-4 addition on the two LSBs. For example, state machine 2 with a flag value of '0x11' will wait on flag 3, and a flag value of '0x13' will wait on flag 1. This allows multiple state machines running the same program to synchronise with each other.

CAUTION

WAIT 1 **IRQ** x should not be used with IRQ flags presented to the interrupt controller, to avoid a race condition with a system interrupt handler

3.4.3.3. Assembler Syntax

```
wait <polarity> gpio <gpio_num>
```

```
wait <polarity> pin <pin_num>
```

```
wait <polarity> irq <irq_num> ( rel )
```

where:

<polarity> Is a value (see [Section 3.3.3](#)) specifying the polarity (either 0 or 1)

<code><pin_num></code>	Is a value (see Section 3.3.3) specifying the input pin number (as mapped by the SM input pin mapping)
<code><gpio_num></code>	Is a value (see Section 3.3.3) specifying the actual GPIO pin number
<code><irq_num></code> (<i>rel</i>)	Is a value (see Section 3.3.3) specifying The irq number to wait on (0-7). If <i>rel</i> is present, then the actual irq number used is calculating by replacing the low two bits of the irq number (irq_num_{10}) with the low two bits of the sum ($irq_num_{10} + sm_num_{10}$) where sm_num_{10} is the state machine number

3.4.4. IN

3.4.4.1. Encoding

Bit:	15	14	13	12	11	10	9	8	7	6	5	4	3	2	1	0
IN	0	1	0	Delay/side-set				Source			Bit count					

3.4.4.2. Operation

Shift `Bit count` bits from `Source` into the Input Shift Register (ISR). Shift direction is configured for each state machine by `SHIFTCTRL_IN_SHIFTDIR`. Additionally, increase the input shift count by `Bit count`, saturating at 32.

- Source:
 - 000: `PINS`
 - 001: `X` (scratch register X)
 - 010: `Y` (scratch register Y)
 - 011: `NULL` (all zeroes)
 - 100: Reserved
 - 101: Reserved
 - 110: `ISR`
 - 111: `OSR`
- Bit count: How many bits to shift into the ISR. 1...32 bits, 32 is encoded as `00000`.

If automatic push is enabled, `IN` will also push the ISR contents to the RX FIFO if the push threshold is reached (`SHIFTCTRL_PUSH_THRESH`). `IN` still executes in one cycle, whether an automatic push takes place or not. The state machine will stall if the RX FIFO is full when an automatic push occurs. An automatic push clears the ISR contents to all-zeroes, and clears the input shift count.

`IN` always uses the least significant `Bit count` bits of the source data. For example, if `PINCTRL_IN_BASE` is set to 5, the instruction `IN PINS, 3` will take the values of pins 5, 6 and 7, and shift these into the ISR. First the ISR is shifted to the left or right to make room for the new input data, then the input data is copied into the gap this leaves. The bit order of the input data is not dependent on the shift direction.

`NULL` can be used for shifting the ISR's contents. For example, UARTs receive the LSB first, so must shift to the right. After 8 `IN PINS, 1` instructions, the input serial data will occupy bits 31...24 of the ISR. An `IN NULL, 24` instruction will shift in 24 zero bits, aligning the input data at ISR bits 7...0. Alternatively, the processor or DMA could perform a byte read from FIFO address + 3, which would take bits 31...24 of the FIFO contents.

3.4.4.3. Assembler Syntax

in <source>, <bit_count>

where:

<source> Is one of the sources specified above.

<bit_count> Is a value (see [Section 3.3.3](#)) specifying the number of bits to shift (valid range 1-32)

3.4.5. OUT

3.4.5.1. Encoding

Bit:	15	14	13	12	11	10	9	8	7	6	5	4	3	2	1	0
OUT	0	1	1	Delay/side-set				Destination			Bit count					

3.4.5.2. Operation

Shift **Bit count** bits out of the Output Shift Register (OSR), and write those bits to **Destination**. Additionally, increase the output shift count by **Bit count**, saturating at 32.

- Destination:
 - 000: **PINS**
 - 001: **X** (scratch register X)
 - 010: **Y** (scratch register Y)
 - 011: **NULL** (discard data)
 - 100: **PINDIRS**
 - 101: **PC**
 - 110: **ISR** (also sets ISR shift counter to **Bit count**)
 - 111: **EXEC** (Execute OSR shift data as instruction)
- Bit count: how many bits to shift out of the OSR. 1...32 bits, 32 is encoded as **00000**.

A 32-bit value is written to **Destination**: the lower **Bit count** bits come from the OSR, and the remainder are zeroes. This value is the least significant **Bit count** bits of the OSR if **SHIFTCTRL_OUT_SHIFTDIR** is to the right, otherwise it is the most significant bits.

PINS and **PINDIRS** use the **OUT** pin mapping.

If automatic pull is enabled, the OSR is automatically refilled from the TX FIFO if the pull threshold, **SHIFTCTRL_PULL_THRESH**, is reached. The output shift count is simultaneously cleared to 0. In this case, the **OUT** will stall if the TX FIFO is empty, but otherwise still executes in one cycle.

OUT EXEC allows instructions to be included inline in the FIFO datastream. The **OUT** itself executes on one cycle, and the instruction from the OSR is executed on the next cycle. There are no restrictions on the types of instructions which can be executed by this mechanism. Delay cycles on the initial **OUT** are ignored, but the executee may insert delay cycles as normal.

OUT PC behaves as an unconditional jump to an address shifted out from the OSR.

3.4.5.3. Assembler Syntax

`out <destination>, <bit_count>`

where:

- `<destination>` Is one of the destinations specified above.
- `<bit_count>` Is a value (see [Section 3.3.3](#)) specifying the number of bits to shift (valid range 1-32)

3.4.6. PUSH

3.4.6.1. Encoding

Bit:	15	14	13	12	11	10	9	8	7	6	5	4	3	2	1	0
PUSH	1	0	0	Delay/side-set				0	Iff	Blk	0	0	0	0	0	0

3.4.6.2. Operation

Push the contents of the ISR into the RX FIFO, as a single 32-bit word. Clear ISR to all-zeroes.

- **Iffull**: If 1, do nothing unless the total input shift count has reached its threshold, `SHIFTCTRL_PUSH_THRESH` (the same as for autopush).
- **Block**: If 1, stall execution if RX FIFO is full.

`PUSH IFFULL` helps to make programs more compact, like autopush. It is useful in cases where the `IN` would stall at an inappropriate time if autopush were enabled, e.g. if the state machine is asserting some external control signal at this point.

The PIO assembler sets the `Block` bit by default. If the `Block` bit is not set, the `PUSH` does not stall on a full RX FIFO, instead continuing immediately to the next instruction. The FIFO state and contents are unchanged when this happens. The ISR is still cleared to all-zeroes, and the `FDEBUG_RXSTALL` flag is set (the same as a blocking `PUSH` or autopush to a full RX FIFO) to indicate data was lost.

3.4.6.3. Assembler Syntax

`push (iffull)`

`push (iffull) block`

`push (iffull) noblock`

where:

- `iffull` Is equivalent to `Iffull == 1` above. i.e. the default if this is not specified is `Iffull == 0`
- `block` Is equivalent to `Block == 1` above. This is the default if neither `block` nor `noblock` are specified
- `noblock` Is equivalent to `Block == 0` above.

3.4.7. PULL

3.4.7.1. Encoding

Bit:	15	14	13	12	11	10	9	8	7	6	5	4	3	2	1	0
PULL	1	0	0	Delay/side-set				1	IfE	Blk	0	0	0	0	0	0

3.4.7.2. Operation

Load a 32-bit word from the TX FIFO into the OSR.

- **IfEmpty:** If 1, do nothing unless the total output shift count has reached its threshold, `SHIFTCTRL_PULL_THRESH` (the same as for autopull).
- **Block:** If 1, stall if TX FIFO is empty. If 0, pulling from an empty FIFO copies scratch X to OSR.

Some peripherals (UART, SPI...) should halt when no data is available, and pick it up as it comes in; others (I2S) should clock continuously, and it is better to output placeholder or repeated data than to stop clocking. This can be achieved with the **Block** parameter.

A nonblocking **PULL** on an empty FIFO has the same effect as `MOV OSR, X`. The program can either preload scratch register X with a suitable default, or execute a `MOV X, OSR` after each `PULL NOBLOCK`, so that the last valid FIFO word will be recycled until new data is available.

`PULL IFEMPTY` is useful if an `OUT` with autopull would stall in an inappropriate location when the TX FIFO is empty. For example, a UART transmitter should not stall immediately after asserting the start bit. **IfEmpty** permits some of the same program simplifications as autopull, but the stall occurs at a controlled point in the program.

i NOTE

When autopull is enabled, any **PULL** instruction is a no-op when the OSR is full, so that the **PULL** instruction behaves as a barrier. `OUT NULL, 32` can be used to explicitly discard the OSR contents. See the [RP2040 Datasheet](#) for more detail on autopull.

3.4.7.3. Assembler Syntax

`pull (ifempty)`

`pull (ifempty) block`

`pull (ifempty) noblock`

where:

- `ifempty` Is equivalent to `IfEmpty == 1` above. i.e. the default if this is not specified is `IfEmpty == 0`
- `block` Is equivalent to `Block == 1` above. This is the default if neither `block` nor `noblock` are specified
- `noblock` Is equivalent to `Block == 0` above.

3.4.8. MOV

3.4.8.1. Encoding

Bit:	15	14	13	12	11	10	9	8	7	6	5	4	3	2	1	0
MOV	1	0	1	Delay/side-set				Destination			Op	Source				

3.4.8.2. Operation

Copy data from *Source* to *Destination*.

- Destination:
 - 000: *PINS* (Uses same pin mapping as *OUT*)
 - 001: *X* (Scratch register X)
 - 010: *Y* (Scratch register Y)
 - 011: Reserved
 - 100: *EXEC* (Execute data as instruction)
 - 101: *PC*
 - 110: *ISR* (Input shift counter is reset to 0 by this operation, i.e. empty)
 - 111: *OSR* (Output shift counter is reset to 0 by this operation, i.e. full)
- Operation:
 - 00: None
 - 01: Invert (bitwise complement)
 - 10: Bit-reverse
 - 11: Reserved
- Source:
 - 000: *PINS* (Uses same pin mapping as *IN*)
 - 001: *X*
 - 010: *Y*
 - 011: *NULL*
 - 100: Reserved
 - 101: *STATUS*
 - 110: *ISR*
 - 111: *OSR*

MOV PC causes an unconditional jump. *MOV EXEC* has the same behaviour as *OUT EXEC* (Section 3.4.5), and allows register contents to be executed as an instruction. The *MOV* itself executes in 1 cycle, and the instruction in *Source* on the next cycle. Delay cycles on *MOV EXEC* are ignored, but the executee may insert delay cycles as normal.

The *STATUS* source has a value of all-ones or all-zeroes, depending on some state machine status such as FIFO full/empty, configured by *EXECTRL_STATUS_SEL*.

MOV can manipulate the transferred data in limited ways, specified by the *Operation* argument. Invert sets each bit in *Destination* to the logical NOT of the corresponding bit in *Source*, i.e. 1 bits become 0 bits, and vice versa. Bit reverse sets each bit *n* in *Destination* to bit 31 - *n* in *Source*, assuming the bits are numbered 0 to 31.

MOV dst, PINS reads pins using the *IN* pin mapping, and writes the full 32-bit value to the destination without masking. The LSB of the read value is the pin indicated by *PINCTRL_IN_BASE*, and each successive bit comes from a higher-numbered pin, wrapping after 31.

3.4.8.3. Assembler Syntax

```
mov <destination>, ( op ) <source>
```

where:

<code><destination></code>	Is one of the destinations specified above.
<code><op></code>	If present, is: <ul style="list-style-type: none"> <code>!</code> or <code>~</code> for NOT (Note: this is always a bitwise NOT) <code>::</code> for bit reverse
<code><source></code>	Is one of the sources specified above.

3.4.9. IRQ

3.4.9.1. Encoding

Bit:	15	14	13	12	11	10	9	8	7	6	5	4	3	2	1	0
IRQ	1	1	0	Delay/side-set				0	Clr	Wait	Index					

3.4.9.2. Operation

Set or clear the IRQ flag selected by `Index` argument.

- Clear: if 1, clear the flag selected by `Index`, instead of raising it. If `Clear` is set, the `Wait` bit has no effect.
- Wait: if 1, halt until the raised flag is lowered again, e.g. if a system interrupt handler has acknowledged the flag.
- Index:
 - The 3 LSBs specify an IRQ index from 0-7. This IRQ flag will be set/cleared depending on the Clear bit.
 - If the MSB is set, the state machine ID (0...3) is added to the IRQ index, by way of modulo-4 addition on the two LSBs. For example, state machine 2 with a flag value of 0x11 will raise flag 3, and a flag value of 0x13 will raise flag 1.

IRQ flags 4-7 are visible only to the state machines; IRQ flags 0-3 can be routed out to system level interrupts, on either of the PIO's two external interrupt request lines, configured by `IRQ0_INTE` and `IRQ1_INTE`.

The modulo addition bit allows relative addressing of 'IRQ' and 'WAIT' instructions, for synchronising state machines which are running the same program. Bit 2 (the third LSB) is unaffected by this addition.

If `Wait` is set, `Delay` cycles do not begin until after the wait period elapses.

3.4.9.3. Assembler Syntax

```
irq <irq_num> ( rel )
```

```
irq set <irq_num> ( rel )
```

```
irq nowait <irq_num> ( rel )
```

```
irq wait <irq_num> ( rel )
```

```
irq clear <irq_num> ( rel )
```

where:

<code><irq_num> (rel)</code>	Is a value (see Section 3.3.3) specifying The irq number to wait on (0-7). If <i>rel</i> is present, then the actual irq number used is calculating by replacing the low two bits of the irq number (irq_num_{10}) with the low two bits of the sum ($irq_num_{10} + sm_num_{10}$) where sm_num_{10} is the state machine number
<code>irq</code>	Means set the IRQ without waiting
<code>irq set</code>	Also means set the IRQ without waiting
<code>irq nowait</code>	Again, means set the IRQ without waiting
<code>irq wait</code>	Means set the IRQ and wait for it to be cleared before proceeding
<code>irq clear</code>	Means clear the IRQ

3.4.10. SET

3.4.10.1. Encoding

Bit:	15	14	13	12	11	10	9	8	7	6	5	4	3	2	1	0
SET	1	1	1	Delay/side-set				Destination			Data					

3.4.10.2. Operation

Write immediate value `Data` to `Destination`.

- Destination:
 - 000: `PINS`
 - 001: `X` (scratch register X) 5 LSBs are set to `Data`, all others cleared to 0.
 - 010: `Y` (scratch register Y) 5 LSBs are set to `Data`, all others cleared to 0.
 - 011: Reserved
 - 100: `PINDIRS`
 - 101: Reserved
 - 110: Reserved
 - 111: Reserved
- Data: 5-bit immediate value to drive to pins or register.

This can be used to assert control signals such as a clock or chip select, or to initialise loop counters. As `Data` is 5 bits in size, scratch registers can be `SET` to values from 0-31, which is sufficient for a 32-iteration loop.

The mapping of `SET` and `OUT` onto pins is configured independently. They may be mapped to distinct locations, for example if one pin is to be used as a clock signal, and another for data. They may also be overlapping ranges of pins: a UART transmitter might use `SET` to assert start and stop bits, and `OUT` instructions to shift out FIFO data to the same pins.

3.4.10.3. Assembler Syntax

```
set <destination>, <value>
```

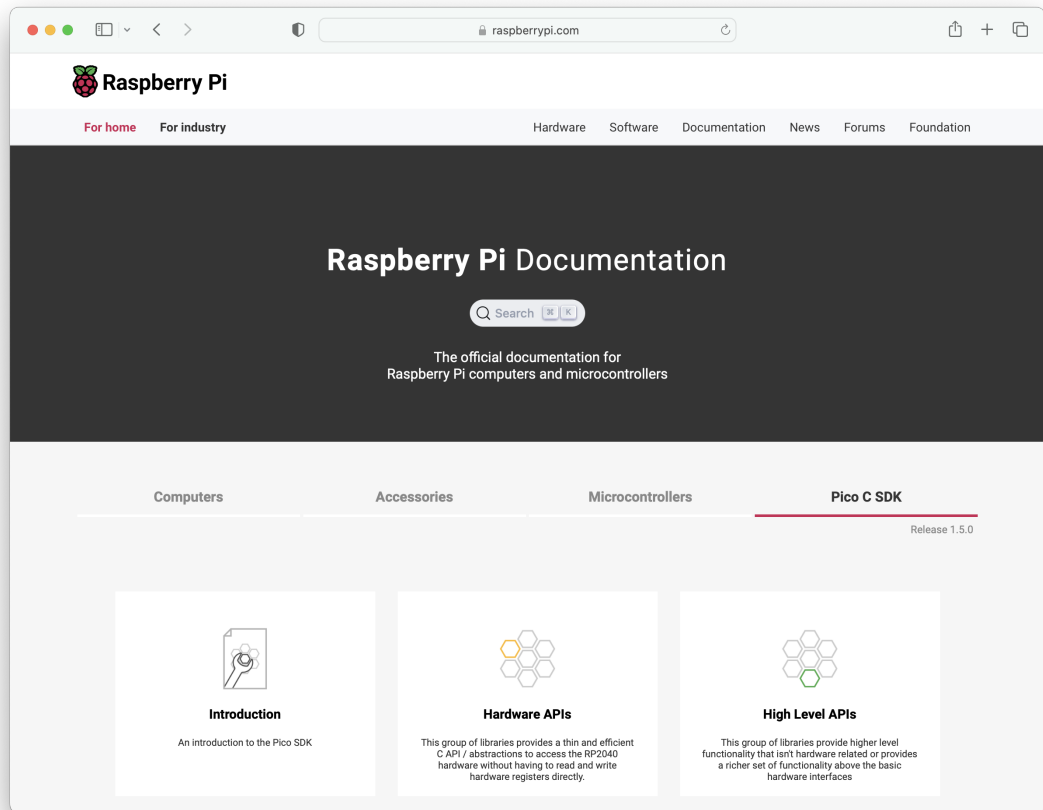
where:

<destination> Is one of the destinations specified above.
<value> The value (see [Section 3.3.3](#)) to set (valid range 0-31)

Chapter 4. Library documentation

Full library API documentation can be found online at <https://www.raspberrypi.com/documentation/pico-sdk/>

Figure 8. The Raspberry Pi documentation site.



i NOTE

You can also build the API documentation locally, see [Appendix E](#).

Appendix A: App Notes

Attaching a 7 segment LED via GPIO

This example code shows how to interface the Raspberry Pi Pico to a generic 7 segment LED device. It uses the LED to count from 0 to 9 and then repeat. If the button is pressed, then the numbers will count down instead of up.

Wiring information

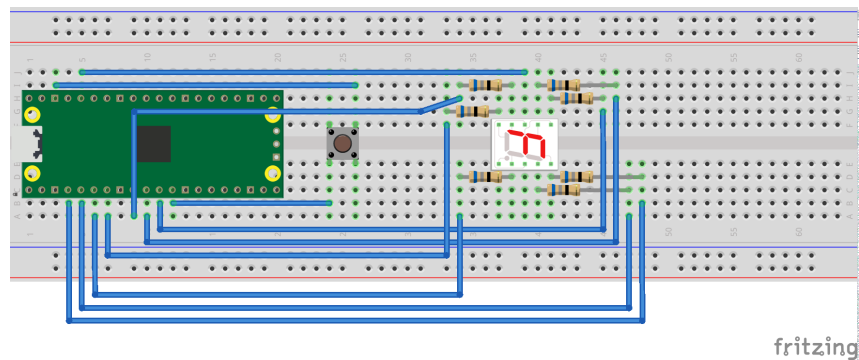
Our 7 Segment display has pins as follows.

```
--A--
F  B
--G--
E  C
--D--
```

By default we are allocating GPIO 2 to segment A, 3 to B etc. So, connect GPIO 2 to pin A on the 7 segment LED display and so on. You will need the appropriate resistors (68 ohm should be fine) for each segment. The LED device used here is common anode, so the anode pin is connected to the 3.3v supply, and the GPIOs need to pull low (to ground) to complete the circuit. The pull direction of the GPIOs is specified in the code itself.

Connect the switch to connect on pressing. One side should be connected to ground, the other to GPIO 9.

Figure 9. Wiring Diagram for 7 segment LED.



List of Files

CMakeLists.txt

CMake file to incorporate the example in to the examples build tree.

Pico Examples: https://github.com/raspberrypi/pico-examples/blob/master/gpio/hello_7segment/CMakeLists.txt

```
1 add_executable(hello_7segment
2     hello_7segment.c
3 )
4
5 # pull in common dependencies
6 target_link_libraries(hello_7segment pico_stdlib)
7
```

```

8 # create map/bin/hex file etc.
9 pico_add_extra_outputs(hello_7segment)
10
11 # add url via pico_set_program_url
12 example_auto_set_url(hello_7segment)

```

hello_7segment.c

The example code.

Pico Examples: https://github.com/raspberrypi/pico-examples/blob/master/gpio/hello_7segment/hello_7segment.c

```

1 /**
2  * Copyright (c) 2020 Raspberry Pi (Trading) Ltd.
3  *
4  * SPDX-License-Identifier: BSD-3-Clause
5  */
6
7 #include <stdio.h>
8 #include "pico/stdlib.h"
9 #include "hardware/gpio.h"
10
11 /*
12  * Our 7 Segment display has pins as follows:
13
14  * --A--
15  * F  B
16  * --G--
17  * E  C
18  * --D--
19
20  * By default we are allocating GPIO 2 to segment A, 3 to B etc.
21  * So, connect GPIO 2 to pin A on the 7 segment LED display etc. Don't forget
22  * the appropriate resistors, best to use one for each segment!
23
24  * Connect button so that pressing the switch connects the GPIO 9 (default) to
25  * ground (pull down)
26  */
27
28 #define FIRST_GPIO 2
29 #define BUTTON_GPIO (FIRST_GPIO+7)
30
31 // This array converts a number 0-9 to a bit pattern to send to the GPIOs
32 int bits[10] = {
33     0x3f, // 0
34     0x06, // 1
35     0x5b, // 2
36     0x4f, // 3
37     0x66, // 4
38     0x6d, // 5
39     0x7d, // 6
40     0x07, // 7
41     0x7f, // 8
42     0x67, // 9
43 };
44
45 /// \tag::hello_gpio[]
46 int main() {
47     stdio_init_all();
48     printf("Hello, 7segment - press button to count down!\n");
49
50     // We could use gpio_set_dir_out_masked() here
51     for (int gpio = FIRST_GPIO; gpio < FIRST_GPIO + 7; gpio++) {

```



```

52     gpio_init(gpio);
53     gpio_set_dir(gpio, GPIO_OUT);
54     // Our bitmap above has a bit set where we need an LED on, BUT, we are pulling low to
    light
55     // so invert our output
56     gpio_set_outover(gpio, GPIO_OVERRIDE_INVERT);
57 }
58
59 gpio_init(BUTTON_GPIO);
60 gpio_set_dir(BUTTON_GPIO, GPIO_IN);
61 // We are using the button to pull down to 0v when pressed, so ensure that when
62 // unpressed, it uses internal pull ups. Otherwise when unpressed, the input will
63 // be floating.
64 gpio_pull_up(BUTTON_GPIO);
65
66 int val = 0;
67 while (true) {
68     // Count upwards or downwards depending on button input
69     // We are pulling down on switch active, so invert the get to make
70     // a press count downwards
71     if (!gpio_get(BUTTON_GPIO)) {
72         if (val == 9) {
73             val = 0;
74         } else {
75             val++;
76         }
77     } else if (val == 0) {
78         val = 9;
79     } else {
80         val--;
81     }
82
83     // We are starting with GPIO 2, our bitmap starts at bit 0 so shift to start at 2.
84     int32_t mask = bits[val] << FIRST_GPIO;
85
86     // Set all our GPIOs in one go!
87     // If something else is using GPIO, we might want to use gpio_put_masked()
88     gpio_set_mask(mask);
89     sleep_ms(250);
90     gpio_clr_mask(mask);
91 }
92 }
93 /// \end::hello_gpio[]

```

Bill of Materials

Table 9. A list of materials required for the example

Item	Quantity	Details
Breadboard	1	generic part
Raspberry Pi Pico	1	https://www.raspberrypi.com/products/raspberry-pi-pico/
7 segment LED module	1	generic part
68 ohm resistor	7	generic part
DIL push to make switch	1	generic switch
M/M Jumper wires	10	generic part

DHT-11, DHT-22, and AM2302 Sensors

The DHT sensors are fairly well known hobbyist sensors for measuring relative humidity and temperature using a capacitive humidity sensor, and a thermistor. While they are slow, one reading every ~2 seconds, they are reliable and good for basic data logging. Communication is based on a custom protocol which uses a single wire for data.

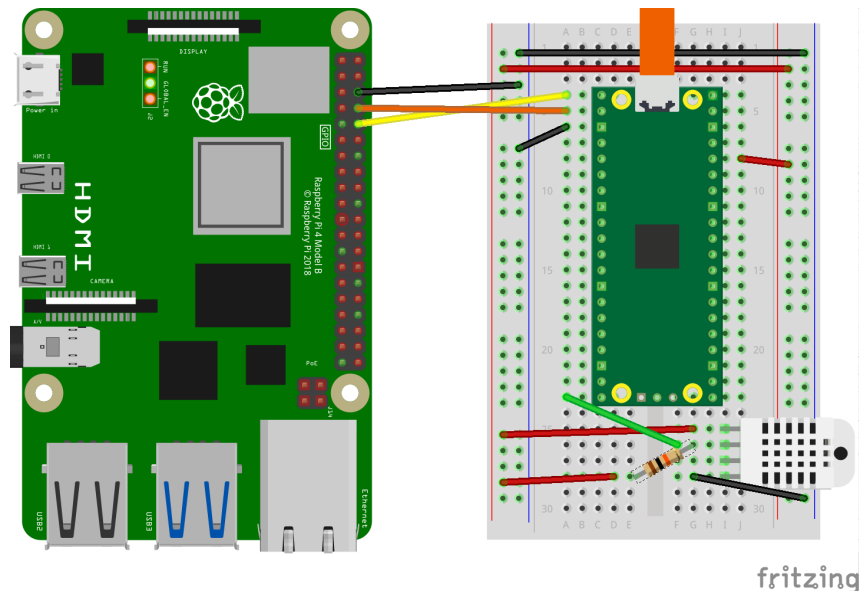
i NOTE

The DHT-11 and DHT-22 sensors are the most common. They use the same protocol but have different characteristics, the DHT-22 has better accuracy, and has a larger sensor range than the DHT-11. The sensor is available from a number of retailers.

Wiring information

See [Figure 10](#) for wiring instructions.

Figure 10. Wiring the DHT-22 temperature sensor to Raspberry Pi Pico, and connecting Pico's UART0 to the Raspberry Pi 4.



i NOTE

One of the pins (pin 3) on the DHT sensor will not be connected, it is not used.

You will want to place a 10 kΩ resistor between VCC and the data pin, to act as a medium-strength pull up on the data line.

Connecting UART0 of Pico to Raspberry Pi as in [Figure 10](#) and you should see something similar to [Figure 11](#) in [minicom](#) when connected to `/dev/serial0` on the Raspberry Pi.

Figure 11. Serial output over Pico's UART0 in a terminal window.

```

FT232R USB UART — 80x24 — 115200.8.N.1
Humidity = 54.9%, Temperature = 28.5C (83.3F)
Humidity = 54.9%, Temperature = 28.5C (83.3F)
Humidity = 55.0%, Temperature = 28.5C (83.3F)

```

Connect to `/dev/serial0` by typing,

```
$ minicom -b 115200 -o -D /dev/serial0
```

at the command line.

List of Files

A list of files with descriptions of their function;

CMakeLists.txt

Make file to incorporate the example in to the examples build tree.

Pico Examples: https://github.com/raspberrypi/pico-examples/blob/master/gpio/dht_sensor/CMakeLists.txt

```

1 add_executable(dht
2     dht.c
3 )
4
5 target_link_libraries(dht pico_stdlib)
6
7 pico_add_extra_outputs(dht)
8
9 # add url via pico_set_program_url
10 example_auto_set_url(dht)

```

dht.c

The example code.

Pico Examples: https://github.com/raspberrypi/pico-examples/blob/master/gpio/dht_sensor/dht.c

```

1 /**
2  * Copyright (c) 2020 Raspberry Pi (Trading) Ltd.
3  *

```

```

4  * SPDX-License-Identifier: BSD-3-Clause
5  **/
6
7  #include <stdio.h>
8  #include <math.h>
9  #include "pico/stdlib.h"
10 #include "hardware/gpio.h"
11
12 #ifdef PICO_DEFAULT_LED_PIN
13 #define LED_PIN PICO_DEFAULT_LED_PIN
14 #endif
15
16 const uint DHT_PIN = 15;
17 const uint MAX_TIMINGS = 85;
18
19 typedef struct {
20     float humidity;
21     float temp_celsius;
22 } dht_reading;
23
24 void read_from_dht(dht_reading *result);
25
26 int main() {
27     stdio_init_all();
28     gpio_init(DHT_PIN);
29 #ifdef LED_PIN
30     gpio_init(LED_PIN);
31     gpio_set_dir(LED_PIN, GPIO_OUT);
32 #endif
33     while (1) {
34         dht_reading reading;
35         read_from_dht(&reading);
36         float fahrenheit = (reading.temp_celsius * 9 / 5) + 32;
37         printf("Humidity = %.1f%%, Temperature = %.1fC (%.1fF)\n",
38             reading.humidity, reading.temp_celsius, fahrenheit);
39
40         sleep_ms(2000);
41     }
42 }
43
44 void read_from_dht(dht_reading *result) {
45     int data[5] = {0, 0, 0, 0, 0};
46     uint last = 1;
47     uint j = 0;
48
49     gpio_set_dir(DHT_PIN, GPIO_OUT);
50     gpio_put(DHT_PIN, 0);
51     sleep_ms(20);
52     gpio_set_dir(DHT_PIN, GPIO_IN);
53
54 #ifdef LED_PIN
55     gpio_put(LED_PIN, 1);
56 #endif
57     for (uint i = 0; i < MAX_TIMINGS; i++) {
58         uint count = 0;
59         while (gpio_get(DHT_PIN) == last) {
60             count++;
61             sleep_us(1);
62             if (count == 255) break;
63         }
64         last = gpio_get(DHT_PIN);
65         if (count == 255) break;
66
67         if ((i >= 4) && (i % 2 == 0)) {

```

```

68         data[j / 8] <<= 1;
69         if (count > 16) data[j / 8] |= 1;
70         j++;
71     }
72 }
73 #ifdef LED_PIN
74     gpio_put(LED_PIN, 0);
75 #endif
76
77     if ((j >= 40) && (data[4] == ((data[0] + data[1] + data[2] + data[3]) & 0xFF))) {
78         result->humidity = (float) ((data[0] << 8) + data[1]) / 10;
79         if (result->humidity > 100) {
80             result->humidity = data[0];
81         }
82         result->temp_celsius = (float) (((data[2] & 0x7F) << 8) + data[3]) / 10;
83         if (result->temp_celsius > 125) {
84             result->temp_celsius = data[2];
85         }
86         if (data[2] & 0x80) {
87             result->temp_celsius = -result->temp_celsius;
88         }
89     } else {
90         printf("Bad data\n");
91     }
92 }

```

Bill of Materials

Table 10. A list of materials required for the example

Item	Quantity	Details
Breadboard	1	generic part
Raspberry Pi Pico	1	https://www.raspberrypi.com/products/raspberry-pi-pico/
10 kΩ resistor	1	generic part
M/M Jumper wires	4	generic part
DHT-22 sensor	1	generic part

Attaching a 16x2 LCD via TTL

This example code shows how to interface the Raspberry Pi Pico to one of the very common 16x2 LCD character displays. Due to the large number of pins these displays use, they are commonly used with extra drivers or backpacks. In this example, we will use an Adafruit LCD display backpack, which supports communication over USB or TTL. A monochrome display with an RGB backlight is also used, but the backpack is compatible with monochrome backlight displays too. There is another example that uses I2C to control a 16x2 display.

The backpack processes a set of commands that are documented [here](#) and preceded by the "special" byte 0xFE. The backpack does the ASCII character conversion and even supports custom character creation. In this example, we use the Pico's primary UART (uart0) to read characters from our computer and send them via the other UART (uart1) to print them onto the LCD. We also define a special startup sequence and vary the display's backlight color.

NOTE

You can change where stdio output goes (Pico's USB, uart0 or both) with CMake directives. The CMakeLists.txt file shows how to enable both.

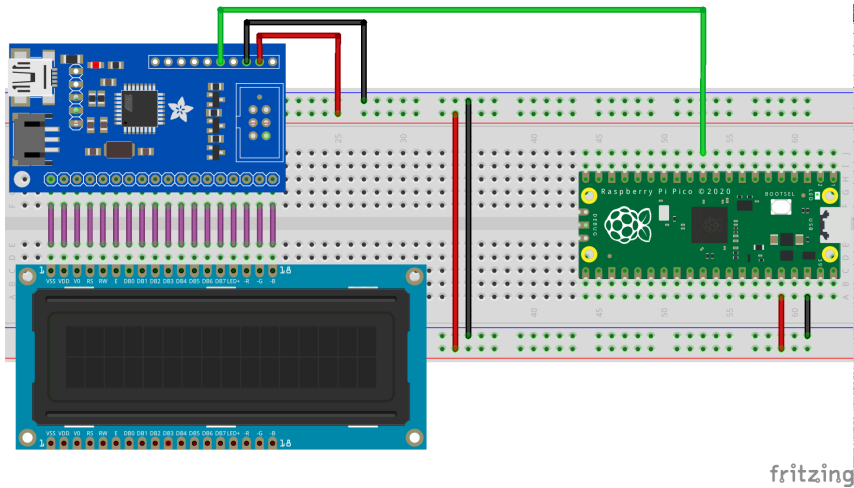
Wiring information

Wiring up the backpack to the Pico requires 3 jumpers, to connect VCC (3.3v), GND, TX. The example here uses both of the Pico's UARTs, one (uart0) for stdio and the other (uart1) for communication with the backpack. Pin 8 is used as the TX pin. Power is supplied from the 3.3V pin. To connect the backpack to the display, it is common practice to solder it onto the back of the display, or during the prototyping stage to use the same parallel lanes on a breadboard.

NOTE

While this display will work at 3.3V, it will be quite dim. Using a 5V source will make it brighter.

Figure 12. Wiring Diagram for LCD with TTL backpack.

**List of Files****CMakeLists.txt**

CMake file to incorporate the example in to the examples build tree.

Pico Examples: https://github.com/raspberrypi/pico-examples/blob/master/uart/lcd_uart/CMakeLists.txt

```

1 add_executable(lcd_uart
2     lcd_uart.c
3 )
4
5 # pull in common dependencies and additional uart hardware support
6 target_link_libraries(lcd_uart pico_stdlib hardware_uart)
7
8 # enable usb output and uart output
9 # modify here as required
10 pico_enable_stdio_usb(lcd_uart 1)
11 pico_enable_stdio_uart(lcd_uart 1)
12
13 # create map/bin/hex file etc.
14 pico_add_extra_outputs(lcd_uart)
15
16 # add url via pico_set_program_url

```

```
17 example_auto_set_url(lcd_uart)
```

lcd_uart.c

The example code.

Pico Examples: https://github.com/raspberrypi/pico-examples/blob/master/uart/lcd_uart/lcd_uart.c

```

1 /**
2  * Copyright (c) 2021 Raspberry Pi (Trading) Ltd.
3  *
4  * SPDX-License-Identifier: BSD-3-Clause
5  */
6
7 /* Example code to drive a 16x2 LCD panel via an Adafruit TTL LCD "backpack"
8
9  Optionally, the backpack can be connected the VBUS (pin 40) at 5V if
10 the Pico in question is powered by USB for greater brightness.
11
12 If this is done, then no other connections should be made to the backpack apart
13 from those listed below as the backpack's logic levels will change.
14
15 Connections on Raspberry Pi Pico board, other boards may vary.
16
17 GPIO 8 (pin 11)-> RX on backpack
18 3.3v (pin 36) -> 3.3v on backpack
19 GND (pin 38) -> GND on backpack
20 */
21
22 #include <stdio.h>
23 #include <math.h>
24 #include "pico/stdlib.h"
25 #include "pico/binary_info.h"
26 #include "hardware/uart.h"
27
28 // leave uart0 free for stdio
29 #define UART_ID uart1
30 #define BAUD_RATE 9600
31 #define UART_TX_PIN 8
32 #define LCD_WIDTH 16
33 #define LCD_HEIGHT 2
34
35 // basic commands
36 #define LCD_DISPLAY_ON 0x42
37 #define LCD_DISPLAY_OFF 0x46
38 #define LCD_SET_BRIGHTNESS 0x99
39 #define LCD_SET_CONTRAST 0x50
40 #define LCD_AUTOSCROLL_ON 0x51
41 #define LCD_AUTOSCROLL_OFF 0x52
42 #define LCD_CLEAR_SCREEN 0x58
43 #define LCD_SET_SPLASH 0x40
44
45 // cursor commands
46 #define LCD_SET_CURSOR_POS 0x47
47 #define LCD_CURSOR_HOME 0x48
48 #define LCD_CURSOR_BACK 0x4C
49 #define LCD_CURSOR_FORWARD 0x4D
50 #define LCD_UNDERLINE_CURSOR_ON 0x4A
51 #define LCD_UNDERLINE_CURSOR_OFF 0x4B
52 #define LCD_BLOCK_CURSOR_ON 0x53
53 #define LCD_BLOCK_CURSOR_OFF 0x54
54
55 // rgb commands

```

```

56 #define LCD_SET_BACKLIGHT_COLOR 0xD0
57 #define LCD_SET_DISPLAY_SIZE 0xD1
58
59 // change to 0 if display is not RGB capable
60 #define LCD_IS_RGB 1
61
62 void lcd_write(uint8_t cmd, uint8_t* buf, uint8_t buflen) {
63     // all commands are prefixed with 0xFE
64     const uint8_t pre = 0xFE;
65     uart_write_blocking(UART_ID, &pre, 1);
66     uart_write_blocking(UART_ID, &cmd, 1);
67     uart_write_blocking(UART_ID, buf, buflen);
68     sleep_ms(10); // give the display some time
69 }
70
71 void lcd_set_size(uint8_t w, uint8_t h) {
72     // sets the dimensions of the display
73     uint8_t buf[] = { w, h };
74     lcd_write(LCD_SET_DISPLAY_SIZE, buf, 2);
75 }
76
77 void lcd_set_contrast(uint8_t contrast) {
78     // sets the display contrast
79     lcd_write(LCD_SET_CONTRAST, &contrast, 1);
80 }
81
82 void lcd_set_brightness(uint8_t brightness) {
83     // sets the backlight brightness
84     lcd_write(LCD_SET_BRIGHTNESS, &brightness, 1);
85 }
86
87 void lcd_set_cursor(bool is_on) {
88     // set is_on to true if we want the blinking block and underline cursor to show
89     if (is_on) {
90         lcd_write(LCD_BLOCK_CURSOR_ON, NULL, 0);
91         lcd_write(LCD_UNDERLINE_CURSOR_ON, NULL, 0);
92     } else {
93         lcd_write(LCD_BLOCK_CURSOR_OFF, NULL, 0);
94         lcd_write(LCD_UNDERLINE_CURSOR_OFF, NULL, 0);
95     }
96 }
97
98 void lcd_set_backlight(bool is_on) {
99     // turn the backlight on (true) or off (false)
100     if (is_on) {
101         lcd_write(LCD_DISPLAY_ON, (uint8_t *) 0, 1);
102     } else {
103         lcd_write(LCD_DISPLAY_OFF, NULL, 0);
104     }
105 }
106
107 void lcd_clear() {
108     // clear the contents of the display
109     lcd_write(LCD_CLEAR_SCREEN, NULL, 0);
110 }
111
112 void lcd_cursor_reset() {
113     // reset the cursor to (1, 1)
114     lcd_write(LCD_CURSOR_HOME, NULL, 0);
115 }
116
117 #if LCD_IS_RGB
118 void lcd_set_backlight_color(uint8_t r, uint8_t g, uint8_t b) {
119     // only supported on RGB displays!

```



```

120     uint8_t buf[] = { r, g, b };
121     lcd_write(LCD_SET_BACKLIGHT_COLOR, buf, 3);
122 }
123 #endif
124
125 void lcd_init() {
126     lcd_set_backlight(true);
127     lcd_set_size(LCD_WIDTH, LCD_HEIGHT);
128     lcd_set_contrast(155);
129     lcd_set_brightness(255);
130     lcd_set_cursor(false);
131 }
132
133 int main() {
134     stdio_init_all();
135     uart_init(UART_ID, BAUD_RATE);
136     uart_set_translate_crlf(UART_ID, false);
137     gpio_set_function(UART_TX_PIN, GPIO_FUNC_UART);
138
139     bi_decl(bi_1pin_with_func(UART_TX_PIN, GPIO_FUNC_UART));
140
141     lcd_init();
142
143     // define startup sequence and save to EEPROM
144     // no more or less than 32 chars, if not enough, fill remaining ones with spaces
145     uint8_t splash_buf[] = "Hello LCD, from Pi Towers! ";
146     lcd_write(LCD_SET_SPLASH, splash_buf, LCD_WIDTH * LCD_HEIGHT);
147
148     lcd_cursor_reset();
149     lcd_clear();
150
151     #if LCD_IS_RGB
152     uint8_t i = 0; // it's ok if this overflows and wraps, we're using sin
153     const float frequency = 0.1f;
154     uint8_t red, green, blue;
155     #endif
156
157     while (1) {
158         // send any chars from stdio straight to the backpack
159         char c = getchar();
160         // any bytes not followed by 0xFE (the special command) are interpreted
161         // as text to be displayed on the backpack, so we just send the char
162         // down the UART byte pipe!
163         if (c < 128) uart_putc_raw(UART_ID, c); // skip extra non-ASCII chars
164     #if LCD_IS_RGB
165         // change the display color on keypress, rainbow style!
166         red = (uint8_t)(sin(frequency * i + 0) * 127 + 128);
167         green = (uint8_t)(sin(frequency * i + 2) * 127 + 128);
168         blue = (uint8_t)(sin(frequency * i + 4) * 127 + 128);
169         lcd_set_backlight_color(red, green, blue);
170         i++;
171     #endif
172     }
173 }

```

Bill of Materials

Table 11. A list of materials required for the example

Item	Quantity	Details
Breadboard	1	generic part

Raspberry Pi Pico	1	https://www.raspberrypi.com/products/raspberry-pi-pico/
16x2 RGB LCD panel 3.3v	1	generic part, available on Adafruit
16x2 LCD backpack	1	from Adafruit
M/M Jumper wires	3	generic part

Attaching a microphone using the ADC

This example code shows how to interface the Raspberry Pi Pico with a standard analog microphone via the onboard analog to digital converter (ADC). In this example, we use an ICS-40180 breakout board by SparkFun but any analog microphone should be compatible with this tutorial. SparkFun have [written a guide](#) for this board that goes into more detail about the board and how it works.

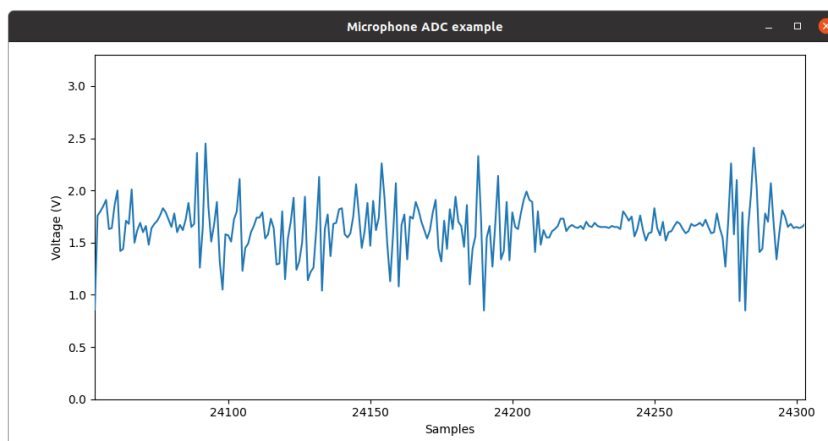
TIP

An analog to digital converter (ADC) is responsible for reading continually varying input signals that may range from 0 to a specified reference voltage (in the Pico's case this reference voltage is set by the supply voltage and can be measured on pin 35, ADC_VREF) and converting them into binary, i.e. a number that can be digitally stored.

The Pico has a 12-bit ADC (ENOB of 8.7-bit, see [RP2040 datasheet section 4.9.3 for more details](#)), meaning that a read operation will return a number ranging from 0 to 4095 ($2^{12} - 1$) for a total of 4096 possible values. Therefore, the resolution of the ADC is $3.3/4096$, so roughly steps of 0.8 millivolts. The SparkFun breakout uses an OPA344 operational amplifier to boost the signal coming from the microphone to voltage levels that can be easily read by the ADC. An important side effect is that a bias of $0.5 \cdot V_{cc}$ is added to the signal, even when the microphone is not picking up any sound.

The ADC provides us with a raw voltage value but when dealing with sound, we're more interested in the amplitude of the audio signal. This is defined as one half the peak-to-peak amplitude. Included with this example is a very simple Python script that will plot the voltage values it receives via the serial port. By tweaking the sampling rates, and various other parameters, the data from the microphone can be analysed in various ways, such as in a Fast Fourier Transform to see what frequencies make up the signal.

Figure 13. Example output from included Python script



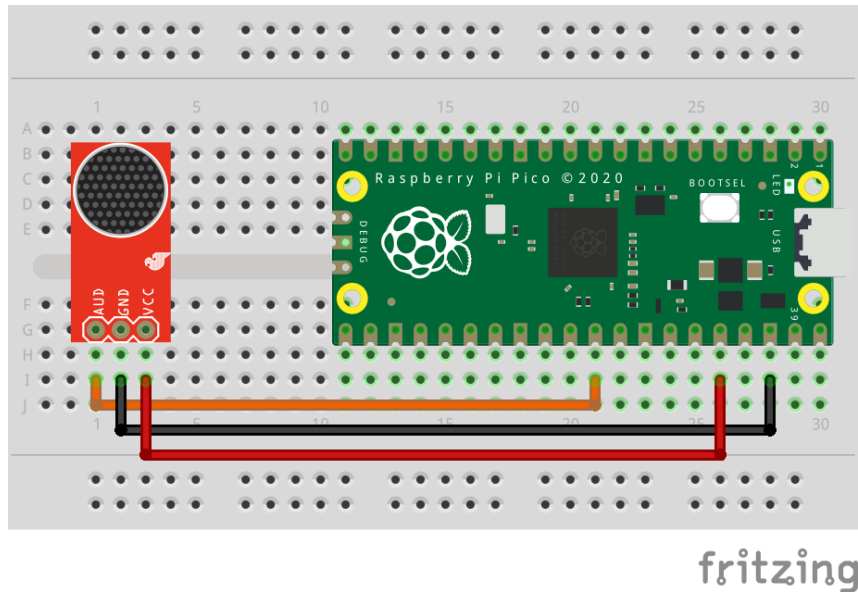
Wiring information

Wiring up the device requires 3 jumpers, to connect VCC (3.3v), GND, and AOUT. The example here uses ADC0, which is GP26. Power is supplied from the 3.3V pin.

WARNING

Most boards will take a range of VCC voltages from the Pico's default 3.3V to the 5 volts commonly seen on other microcontrollers. Ensure your board doesn't output an analogue signal greater than 3.3V as this may result in permanent damage to the Pico's ADC.

Figure 14. Wiring Diagram for ICS-40180 microphone breakout board.



List of Files

CMakeLists.txt

CMake file to incorporate the example in to the examples build tree.

Pico Examples: https://github.com/raspberrypi/pico-examples/blob/master/adc/microphone_adc/CMakeLists.txt

```

1 add_executable(microphone_adc
2     microphone_adc.c
3 )
4
5 # pull in common dependencies and adc hardware support
6 target_link_libraries(microphone_adc pico_stdlib hardware_adc)
7
8 # create map/bin/hex file etc.
9 pico_add_extra_outputs(microphone_adc)
10
11 # add url via pico_set_program_url
12 example_auto_set_url(microphone_adc)

```

microphone_adc.c

The example code.

Pico Examples: https://github.com/raspberrypi/pico-examples/blob/master/adc/microphone_adc/microphone_adc.c

```

1 /**
2  * Copyright (c) 2021 Raspberry Pi (Trading) Ltd.
3  *
4  * SPDX-License-Identifier: BSD-3-Clause
5  */
6

```

```

7 #include <stdio.h>
8 #include "pico/stdlib.h"
9 #include "hardware/gpio.h"
10 #include "hardware/adc.h"
11 #include "hardware/uart.h"
12 #include "pico/binary_info.h"
13
14 /* Example code to extract analog values from a microphone using the ADC
15    with accompanying Python file to plot these values
16
17    Connections on Raspberry Pi Pico board, other boards may vary.
18
19    GPIO 26/ADC0 (pin 31)-> AOUT or AUD on microphone board
20    3.3v (pin 36) -> VCC on microphone board
21    GND (pin 38) -> GND on microphone board
22 */
23
24 #define ADC_NUM 0
25 #define ADC_PIN (26 + ADC_NUM)
26 #define ADC_VREF 3.3
27 #define ADC_RANGE (1 << 12)
28 #define ADC_CONVERT (ADC_VREF / (ADC_RANGE - 1))
29
30 int main() {
31     stdio_init_all();
32     printf("Beep boop, listening...\n");
33
34     bi_decl(bi_program_description("Analog microphone example for Raspberry Pi Pico")); //
35     for picotool
36     bi_decl(bi_1pin_with_name(ADC_PIN, "ADC input pin"));
37
38     adc_init();
39     adc_gpio_init( ADC_PIN);
40     adc_select_input( ADC_NUM);
41
42     uint adc_raw;
43     while (1) {
44         adc_raw = adc_read(); // raw voltage from ADC
45         printf("%.2f\n", adc_raw * ADC_CONVERT);
46         sleep_ms(10);
47     }

```

Bill of Materials

Table 12. A list of materials required for the example

Item	Quantity	Details
Breadboard	1	generic part
Raspberry Pi Pico	1	https://www.raspberrypi.com/products/raspberry-pi-pico/
ICS-40180 microphone breakout board or similar	1	From SparkFun
M/M Jumper wires	3	generic part

Attaching a BME280 temperature/humidity/pressure sensor via SPI

This example code shows how to interface the Raspberry Pi Pico to a BME280 temperature/humidity/pressure. The particular device used can be interfaced via I2C or SPI, we are using SPI, and interfacing at 3.3v.

This examples reads the data from the sensor, and runs it through the appropriate compensation routines (see the chip datasheet for details <https://www.bosch-sensortec.com/media/boschsensortec/downloads/datasheets/bst-bme280-ds002.pdf>). At startup the compensation parameters required by the compensation routines are read from the chip.)

Wiring information

Wiring up the device requires 6 jumpers as follows:

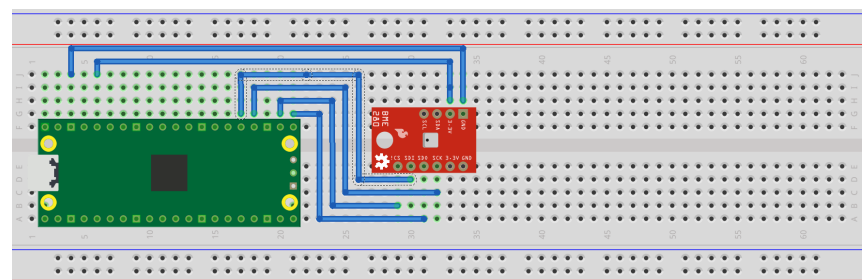
- GPIO 16 (pin 21) MISO/spi0_rx → SDO/SDO on bme280 board
- GPIO 17 (pin 22) Chip select → CSB/!CS on bme280 board
- GPIO 18 (pin 24) SCK/spi0_sclk → SCL/SCK on bme280 board
- GPIO 19 (pin 25) MOSI/spi0_tx → SDA/SDI on bme280 board
- 3.3v (pin 3;6) → VCC on bme280 board
- GND (pin 38) → GND on bme280 board

The example here uses SPI port 0. Power is supplied from the 3.3V pin.

i NOTE

There are many different manufacturers who sell boards with the BME280. Whilst they all appear slightly different, they all have, at least, the same 6 pins required to power and communicate. When wiring up a board that is different to the one in the diagram, ensure you connect up as described in the previous paragraph.

Figure 15. Wiring Diagram for bme280.



fritzing

List of Files

CMakeLists.txt

CMake file to incorporate the example in to the examples build tree.

Pico Examples: https://github.com/raspberrypi/pico-examples/blob/master/spi/bme280_spi/CMakeLists.txt

```
1 add_executable(bme280_spi
2     bme280_spi.c
3 )
4
5 # pull in common dependencies and additional spi hardware support
6 target_link_libraries(bme280_spi pico_stdlib hardware_spi)
```

```

7
8 # create map/bin/hex file etc.
9 pico_add_extra_outputs(bme280_spi)
10
11 # add url via pico_set_program_url
12 example_auto_set_url(bme280_spi)

```

bme280_spi.c

The example code.

Pico Examples: https://github.com/raspberrypi/pico-examples/blob/master/spi/bme280_spi/bme280_spi.c

```

1 /**
2  * Copyright (c) 2020 Raspberry Pi (Trading) Ltd.
3  *
4  * SPDX-License-Identifier: BSD-3-Clause
5  */
6
7 #include <stdio.h>
8 #include <string.h>
9 #include "pico/stdlib.h"
10 #include "pico/binary_info.h"
11 #include "hardware/spi.h"
12
13 /* Example code to talk to a bme280 humidity/temperature/pressure sensor.
14
15  NOTE: Ensure the device is capable of being driven at 3.3v NOT 5v. The Pico
16  GPIO (and therefore SPI) cannot be used at 5v.
17
18  You will need to use a level shifter on the SPI lines if you want to run the
19  board at 5v.
20
21  Connections on Raspberry Pi Pico board and a generic bme280 board, other
22  boards may vary.
23
24  GPIO 16 (pin 21) MISO/spi0_rx-> SDO/SDO on bme280 board
25  GPIO 17 (pin 22) Chip select -> CSB!/CS on bme280 board
26  GPIO 18 (pin 24) SCK/spi0_sclk -> SCL/SCK on bme280 board
27  GPIO 19 (pin 25) MOSI/spi0_tx -> SDA/SDI on bme280 board
28  3.3v (pin 36) -> VCC on bme280 board
29  GND (pin 38) -> GND on bme280 board
30
31  Note: SPI devices can have a number of different naming schemes for pins. See
32  the Wikipedia page at https://en.wikipedia.org/wiki/Serial\_Peripheral\_Interface
33  for variations.
34
35  This code uses a bunch of register definitions, and some compensation code derived
36  from the Bosch datasheet which can be found here.
37  https://www.bosch-sensortec.com/media/boschsensortec/downloads/datasheets/bst-bme280-
38  ds002.pdf
39  */
40 #define READ_BIT 0x80
41
42 int32_t t_fine;
43
44 uint16_t dig_T1;
45 int16_t dig_T2, dig_T3;
46 uint16_t dig_P1;
47 int16_t dig_P2, dig_P3, dig_P4, dig_P5, dig_P6, dig_P7, dig_P8, dig_P9;
48 uint8_t dig_H1, dig_H3;
49 int8_t dig_H6;

```

```

50 int16_t dig_H2, dig_H4, dig_H5;
51
52 /* The following compensation functions are required to convert from the raw ADC
53 data from the chip to something usable. Each chip has a different set of
54 compensation parameters stored on the chip at point of manufacture, which are
55 read from the chip at startup and used in these routines.
56 */
57 int32_t compensate_temp(int32_t adc_T) {
58     int32_t var1, var2, T;
59     var1 = (((adc_T >> 3) - ((int32_t) dig_T1 << 1))) * ((int32_t) dig_T2) >> 11;
60     var2 = (((((adc_T >> 4) - ((int32_t) dig_T1)) * ((adc_T >> 4) - ((int32_t) dig_T1))) >>
12) * ((int32_t) dig_T3))
61         >> 14;
62
63     t_fine = var1 + var2;
64     T = (t_fine * 5 + 128) >> 8;
65     return T;
66 }
67
68 uint32_t compensate_pressure(int32_t adc_P) {
69     int32_t var1, var2;
70     uint32_t p;
71     var1 = (((int32_t) t_fine) >> 1) - (int32_t) 64000;
72     var2 = (((var1 >> 2) * (var1 >> 2)) >> 11) * ((int32_t) dig_P6);
73     var2 = var2 + ((var1 * ((int32_t) dig_P5)) << 1);
74     var2 = (var2 >> 2) + (((int32_t) dig_P4) << 16);
75     var1 = (((dig_P3 * ((var1 >> 2) * (var1 >> 2)) >> 13)) >> 3) + (((int32_t) dig_P2) *
var1) >> 1)) >> 18;
76     var1 = (((32768 + var1)) * ((int32_t) dig_P1)) >> 15);
77     if (var1 == 0)
78         return 0;
79
80     p = (((uint32_t) (((int32_t) 1048576) - adc_P) - (var2 >> 12))) * 3125;
81     if (p < 0x80000000)
82         p = (p << 1) / ((uint32_t) var1);
83     else
84         p = (p / (uint32_t) var1) * 2;
85
86     var1 = (((int32_t) dig_P9) * ((int32_t) (((p >> 3) * (p >> 3)) >> 13))) >> 12;
87     var2 = (((int32_t) (p >> 2)) * ((int32_t) dig_P8)) >> 13;
88     p = (uint32_t) ((int32_t) p + ((var1 + var2 + dig_P7) >> 4));
89
90     return p;
91 }
92
93 uint32_t compensate_humidity(int32_t adc_H) {
94     int32_t v_x1_u32r;
95     v_x1_u32r = (t_fine - ((int32_t) 76800));
96     v_x1_u32r = (((((adc_H << 14) - (((int32_t) dig_H4) << 20) - (((int32_t) dig_H5) *
v_x1_u32r)) +
97         ((int32_t) 16384)) >> 15) * (((((((v_x1_u32r * ((int32_t) dig_H6)) >> 10)
* ((v_x1_u32r *
98         ((int32_t) dig_H3))
99         >> 11) + ((int32_t) 32768))) >> 10) + ((int32_t) 2097152)) *
((int32_t) dig_H2) + 8192) >> 14));
100     v_x1_u32r = (v_x1_u32r - (((((v_x1_u32r >> 15) * (v_x1_u32r >> 15)) >> 7) * ((int32_t)
dig_H1)) >> 4));
101     v_x1_u32r = (v_x1_u32r < 0 ? 0 : v_x1_u32r);
102     v_x1_u32r = (v_x1_u32r > 419430400 ? 419430400 : v_x1_u32r);
103
104     return (uint32_t) (v_x1_u32r >> 12);
105 }
106 }
107

```

```

108 #ifdef PICO_DEFAULT_SPI_CSN_PIN
109 static inline void cs_select() {
110     asm volatile("nop \n nop \n nop");
111     gpio_put(PICO_DEFAULT_SPI_CSN_PIN, 0); // Active low
112     asm volatile("nop \n nop \n nop");
113 }
114
115 static inline void cs_deselect() {
116     asm volatile("nop \n nop \n nop");
117     gpio_put(PICO_DEFAULT_SPI_CSN_PIN, 1);
118     asm volatile("nop \n nop \n nop");
119 }
120 #endif
121
122 #if defined(spi_default) && defined(PICO_DEFAULT_SPI_CSN_PIN)
123 static void write_register(uint8_t reg, uint8_t data) {
124     uint8_t buf[2];
125     buf[0] = reg & 0x7f; // remove read bit as this is a write
126     buf[1] = data;
127     cs_select();
128     spi_write_blocking(spi_default, buf, 2);
129     cs_deselect();
130     sleep_ms(10);
131 }
132
133 static void read_registers(uint8_t reg, uint8_t *buf, uint16_t len) {
134     // For this particular device, we send the device the register we want to read
135     // first, then subsequently read from the device. The register is auto incrementing
136     // so we don't need to keep sending the register we want, just the first.
137     reg |= READ_BIT;
138     cs_select();
139     spi_write_blocking(spi_default, &reg, 1);
140     sleep_ms(10);
141     spi_read_blocking(spi_default, 0, buf, len);
142     cs_deselect();
143     sleep_ms(10);
144 }
145
146 /* This function reads the manufacturing assigned compensation parameters from the device */
147 void read_compensation_parameters() {
148     uint8_t buffer[26];
149
150     read_registers(0x88, buffer, 24);
151
152     dig_T1 = buffer[0] | (buffer[1] << 8);
153     dig_T2 = buffer[2] | (buffer[3] << 8);
154     dig_T3 = buffer[4] | (buffer[5] << 8);
155
156     dig_P1 = buffer[6] | (buffer[7] << 8);
157     dig_P2 = buffer[8] | (buffer[9] << 8);
158     dig_P3 = buffer[10] | (buffer[11] << 8);
159     dig_P4 = buffer[12] | (buffer[13] << 8);
160     dig_P5 = buffer[14] | (buffer[15] << 8);
161     dig_P6 = buffer[16] | (buffer[17] << 8);
162     dig_P7 = buffer[18] | (buffer[19] << 8);
163     dig_P8 = buffer[20] | (buffer[21] << 8);
164     dig_P9 = buffer[22] | (buffer[23] << 8);
165
166     dig_H1 = buffer[25];
167
168     read_registers(0xE1, buffer, 8);
169
170     dig_H2 = buffer[0] | (buffer[1] << 8);
171     dig_H3 = (int8_t) buffer[2];

```



```

172     dig_H4 = buffer[3] << 4 | (buffer[4] & 0xf);
173     dig_H5 = (buffer[5] >> 4) | (buffer[6] << 4);
174     dig_H6 = (int8_t) buffer[7];
175 }
176
177 static void bme280_read_raw(int32_t *humidity, int32_t *pressure, int32_t *temperature) {
178     uint8_t buffer[8];
179
180     read_registers(0xF7, buffer, 8);
181     *pressure = ((uint32_t) buffer[0] << 12) | ((uint32_t) buffer[1] << 4) | (buffer[2] >>
182     4);
183     *temperature = ((uint32_t) buffer[3] << 12) | ((uint32_t) buffer[4] << 4) | (buffer[5]
184     >> 4);
185     *humidity = (uint32_t) buffer[6] << 8 | buffer[7];
186 }
187 #endif
188
189 int main() {
190     stdio_init_all();
191     #if !defined(spi_default) || !defined(PICO_DEFAULT_SPI_SCK_PIN) ||
192     !defined(PICO_DEFAULT_SPI_TX_PIN) || !defined(PICO_DEFAULT_SPI_RX_PIN) ||
193     !defined(PICO_DEFAULT_SPI_CSN_PIN)
194     #warning spi/bme280_spi example requires a board with SPI pins
195     puts("Default SPI pins were not defined");
196 #else
197     printf("Hello, bme280! Reading raw data from registers via SPI...\n");
198
199     // This example will use SPI0 at 0.5MHz.
200     spi_init(spi_default, 500 * 1000);
201     gpio_set_function(PICO_DEFAULT_SPI_RX_PIN, GPIO_FUNC_SPI);
202     gpio_set_function(PICO_DEFAULT_SPI_SCK_PIN, GPIO_FUNC_SPI);
203     gpio_set_function(PICO_DEFAULT_SPI_TX_PIN, GPIO_FUNC_SPI);
204     // Make the SPI pins available to picotool
205     bi_decl(bi_3pins_with_func(PICO_DEFAULT_SPI_RX_PIN, PICO_DEFAULT_SPI_TX_PIN,
206     PICO_DEFAULT_SPI_SCK_PIN, GPIO_FUNC_SPI));
207
208     // Chip select is active-low, so we'll initialise it to a driven-high state
209     gpio_init(PICO_DEFAULT_SPI_CSN_PIN);
210     gpio_set_dir(PICO_DEFAULT_SPI_CSN_PIN, GPIO_OUT);
211     gpio_put(PICO_DEFAULT_SPI_CSN_PIN, 1);
212     // Make the CS pin available to picotool
213     bi_decl(bi_1pin_with_name(PICO_DEFAULT_SPI_CSN_PIN, "SPI CS"));
214
215     // See if SPI is working - interrogate the device for its I2C ID number, should be 0x60
216     uint8_t id;
217     read_registers(0xD0, &id, 1);
218     printf("Chip ID is 0x%x\n", id);
219
220     read_compensation_parameters();
221
222     write_register(0xF2, 0x1); // Humidity oversampling register - going for x1
223     write_register(0xF4, 0x27); // Set rest of oversampling modes and run mode to normal
224
225     int32_t humidity, pressure, temperature;
226
227     while (1) {
228         bme280_read_raw(&humidity, &pressure, &temperature);
229
230         // These are the raw numbers from the chip, so we need to run through the
231         // compensations to get human understandable numbers
232         pressure = compensate_pressure(pressure);
233         temperature = compensate_temp(temperature);
234         humidity = compensate_humidity(humidity);

```

```

231
232     printf("Humidity = %.2f%\n", humidity / 1024.0);
233     printf("Pressure = %dPa\n", pressure);
234     printf("Temp. = %.2fC\n", temperature / 100.0);
235
236     sleep_ms(1000);
237 }
238 #endif
239 }

```

Bill of Materials

Table 13. A list of materials required for the example

Item	Quantity	Details
Breadboard	1	generic part
Raspberry Pi Pico	1	https://www.raspberrypi.com/products/raspberry-pi-pico/
BME280 board	1	generic part
M/M Jumper wires	6	generic part

Attaching a MPU9250 accelerometer/gyroscope via SPI

This example code shows how to interface the Raspberry Pi Pico to the MPU9250 accelerometer/gyroscope board. The particular device used can be interfaced via I2C or SPI, we are using SPI, and interfacing at 3.3v.

i NOTE

This is a very basic example, and only recovers raw data from the sensor. There are various calibration options available that should be used to ensure that the final results are accurate. It is also possible to wire up the interrupt pin to a GPIO and read data only when it is ready, rather than using the polling approach in the example.

Wiring information

Wiring up the device requires 6 jumpers as follows:

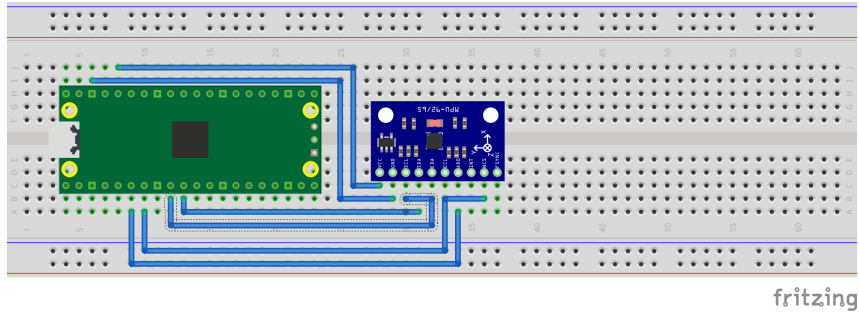
- GPIO 4 (pin 6) MISO/spi0_rx → ADO on MPU9250 board
- GPIO 5 (pin 7) Chip select → NCS on MPU9250 board
- GPIO 6 (pin 9) SCK/spi0_sclk → SCL on MPU9250 board
- GPIO 7 (pin 10) MOSI/spi0_tx → SDA on MPU9250 board
- 3.3v (pin 36) → VCC on MPU9250 board
- GND (pin 38) → GND on MPU9250 board

The example here uses SPI port 0. Power is supplied from the 3.3V pin.

NOTE

There are many different manufacturers who sell boards with the MPU9250. Whilst they all appear slightly different, they all have, at least, the same 6 pins required to power and communicate. When wiring up a board that is different to the one in the diagram, ensure you connect up as described in the previous paragraph.

Figure 16. Wiring Diagram for MPU9250.



List of Files

CMakeLists.txt

CMake file to incorporate the example in to the examples build tree.

Pico Examples: https://github.com/raspberrypi/pico-examples/blob/master/spi/mpu9250_spi/CMakeLists.txt

```

1 add_executable(mpu9250_spi
2     mpu9250_spi.c
3 )
4
5 # pull in common dependencies and additional spi hardware support
6 target_link_libraries(mpu9250_spi pico_stdlib hardware_spi)
7
8 # create map/bin/hex file etc.
9 pico_add_extra_outputs(mpu9250_spi)
10
11 # add url via pico_set_program_url
12 example_auto_set_url(mpu9250_spi)

```

mpu9250_spi.c

The example code.

Pico Examples: https://github.com/raspberrypi/pico-examples/blob/master/spi/mpu9250_spi/mpu9250_spi.c

```

1 /**
2  * Copyright (c) 2020 Raspberry Pi (Trading) Ltd.
3  *
4  * SPDX-License-Identifier: BSD-3-Clause
5  */
6
7 #include <stdio.h>
8 #include <string.h>
9 #include "pico/stdlib.h"
10 #include "pico/binary_info.h"
11 #include "hardware/spi.h"
12
13 /* Example code to talk to a MPU9250 MEMS accelerometer and gyroscope.
14    Ignores the magnetometer, that is left as a exercise for the reader.
15 */

```

```

16  This is taking to simple approach of simply reading registers. It's perfectly
17  possible to link up an interrupt line and set things up to read from the
18  inbuilt FIFO to make it more useful.
19
20  NOTE: Ensure the device is capable of being driven at 3.3v NOT 5v. The Pico
21  GPIO (and therefor SPI) cannot be used at 5v.
22
23  You will need to use a level shifter on the I2C lines if you want to run the
24  board at 5v.
25
26  Connections on Raspberry Pi Pico board and a generic MPU9250 board, other
27  boards may vary.
28
29  GPIO 4 (pin 6) MISO/spi0_rx-> ADO on MPU9250 board
30  GPIO 5 (pin 7) Chip select -> NCS on MPU9250 board
31  GPIO 6 (pin 9) SCK/spi0_sclk -> SCL on MPU9250 board
32  GPIO 7 (pin 10) MOSI/spi0_tx -> SDA on MPU9250 board
33  3.3v (pin 36) -> VCC on MPU9250 board
34  GND (pin 38) -> GND on MPU9250 board
35
36  Note: SPI devices can have a number of different naming schemes for pins. See
37  the Wikipedia page at https://en.wikipedia.org/wiki/Serial\_Peripheral\_Interface
38  for variations.
39  The particular device used here uses the same pins for I2C and SPI, hence the
40  using of I2C names
41  */
42
43  #define PIN_MISO 4
44  #define PIN_CS 5
45  #define PIN_SCK 6
46  #define PIN_MOSI 7
47
48  #define SPI_PORT spi0
49  #define READ_BIT 0x80
50
51  static inline void cs_select() {
52      asm volatile("nop \n nop \n nop");
53      gpio_put(PIN_CS, 0); // Active low
54      asm volatile("nop \n nop \n nop");
55  }
56
57  static inline void cs_deselect() {
58      asm volatile("nop \n nop \n nop");
59      gpio_put(PIN_CS, 1);
60      asm volatile("nop \n nop \n nop");
61  }
62
63  static void mpu9250_reset() {
64      // Two byte reset. First byte register, second byte data
65      // There are a load more options to set up the device in different ways that could be
66      // added here
67      uint8_t buf[] = {0x6B, 0x00};
68      cs_select();
69      spi_write_blocking(SPI_PORT, buf, 2);
70      cs_deselect();
71  }
72
73  static void read_registers(uint8_t reg, uint8_t *buf, uint16_t len) {
74      // For this particular device, we send the device the register we want to read
75      // first, then subsequently read from the device. The register is auto incrementing
76      // so we don't need to keep sending the register we want, just the first.
77
78      reg |= READ_BIT;

```

```

79     cs_deselect();
80     spi_write_blocking(SPI_PORT, &reg, 1);
81     sleep_ms(10);
82     spi_read_blocking(SPI_PORT, 0, buf, len);
83     cs_deselect();
84     sleep_ms(10);
85 }
86
87
88 static void mpu9250_read_raw(int16_t accel[3], int16_t gyro[3], int16_t *temp) {
89     uint8_t buffer[6];
90
91     // Start reading acceleration registers from register 0x3B for 6 bytes
92     read_registers(0x3B, buffer, 6);
93
94     for (int i = 0; i < 3; i++) {
95         accel[i] = (buffer[i * 2] << 8 | buffer[(i * 2) + 1]);
96     }
97
98     // Now gyro data from reg 0x43 for 6 bytes
99     read_registers(0x43, buffer, 6);
100
101     for (int i = 0; i < 3; i++) {
102         gyro[i] = (buffer[i * 2] << 8 | buffer[(i * 2) + 1]);
103     }
104
105     // Now temperature from reg 0x41 for 2 bytes
106     read_registers(0x41, buffer, 2);
107
108     *temp = buffer[0] << 8 | buffer[1];
109 }
110
111 int main() {
112     stdio_init_all();
113
114     printf("Hello, MPU9250! Reading raw data from registers via SPI...\n");
115
116     // This example will use SPI0 at 0.5MHz.
117     spi_init(SPI_PORT, 500 * 1000);
118     gpio_set_function(PIN_MISO, GPIO_FUNC_SPI);
119     gpio_set_function(PIN_SCK, GPIO_FUNC_SPI);
120     gpio_set_function(PIN_MOSI, GPIO_FUNC_SPI);
121     // Make the SPI pins available to picotool
122     bi_decl(bi_3pins_with_func(PIN_MISO, PIN_MOSI, PIN_SCK, GPIO_FUNC_SPI));
123
124     // Chip select is active-low, so we'll initialise it to a driven-high state
125     gpio_init(PIN_CS);
126     gpio_set_dir(PIN_CS, GPIO_OUT);
127     gpio_put(PIN_CS, 1);
128     // Make the CS pin available to picotool
129     bi_decl(bi_1pin_with_name(PIN_CS, "SPI CS"));
130
131     mpu9250_reset();
132
133     // See if SPI is working - interrogate the device for its I2C ID number, should be 0x71
134     uint8_t id;
135     read_registers(0x75, &id, 1);
136     printf("I2C address is 0x%x\n", id);
137
138     int16_t acceleration[3], gyro[3], temp;
139
140     while (1) {
141         mpu9250_read_raw(acceleration, gyro, &temp);
142

```

```

143     // These are the raw numbers from the chip, so will need tweaking to be really useful.
144     // See the datasheet for more information
145     printf("Acc. X = %d, Y = %d, Z = %d\n", acceleration[0], acceleration[1],
acceleration[2]);
146     printf("Gyro. X = %d, Y = %d, Z = %d\n", gyro[0], gyro[1], gyro[2]);
147     // Temperature is simple so use the datasheet calculation to get deg C.
148     // Note this is chip temperature.
149     printf("Temp. = %f\n", (temp / 340.0) + 36.53);
150
151     sleep_ms(100);
152 }
153 }

```

Bill of Materials

Table 14. A list of materials required for the example

Item	Quantity	Details
Breadboard	1	generic part
Raspberry Pi Pico	1	https://www.raspberrypi.com/products/raspberry-pi-pico/
MPU9250 board	1	generic part
M/M Jumper wires	6	generic part

Attaching a MPU6050 accelerometer/gyroscope via I2C

This example code shows how to interface the Raspberry Pi Pico to the MPU6050 accelerometer/gyroscope board. This device uses I2C for communications, and most MPU6050 parts are happy running at either 3.3 or 5v. The Raspberry Pi RP2040 GPIO's work at 3.3v so that is what the example uses.

i NOTE

This is a very basic example, and only recovers raw data from the sensor. There are various calibration options available that should be used to ensure that the final results are accurate. It is also possible to wire up the interrupt pin to a GPIO and read data only when it is ready, rather than using the polling approach in the example.

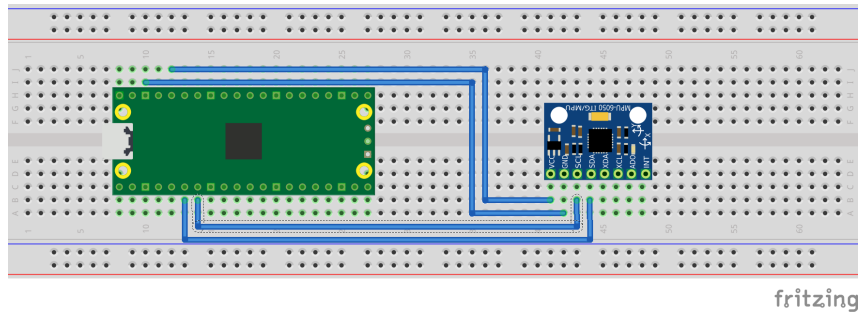
Wiring information

Wiring up the device requires 4 jumpers, to connect VCC (3.3v), GND, SDA and SCL. The example here uses I2C port 0, which is assigned to GPIO 4 (SDA) and 5 (SCL) in software. Power is supplied from the 3.3V pin.

i NOTE

There are many different manufacturers who sell boards with the MPU6050. Whilst they all appear slightly different, they all have, at least, the same 4 pins required to power and communicate. When wiring up a board that is different to the one in the diagram, ensure you connect up as described in the previous paragraph.

Figure 17. Wiring
Diagram for MPU6050.



List of Files

CMakeLists.txt

CMake file to incorporate the example in to the examples build tree.

Pico Examples: https://github.com/raspberrypi/pico-examples/blob/master/i2c/mpu6050_i2c/CMakeLists.txt

```

1 add_executable(mpu6050_i2c
2     mpu6050_i2c.c
3 )
4
5 # pull in common dependencies and additional i2c hardware support
6 target_link_libraries(mpu6050_i2c pico_stdlib hardware_i2c)
7
8 # create map/bin/hex file etc.
9 pico_add_extra_outputs(mpu6050_i2c)
10
11 # add url via pico_set_program_url
12 example_auto_set_url(mpu6050_i2c)

```

mpu6050_i2c.c

The example code.

Pico Examples: https://github.com/raspberrypi/pico-examples/blob/master/i2c/mpu6050_i2c/mpu6050_i2c.c

```

1 /**
2  * Copyright (c) 2020 Raspberry Pi (Trading) Ltd.
3  *
4  * SPDX-License-Identifier: BSD-3-Clause
5  */
6
7 #include <stdio.h>
8 #include <string.h>
9 #include "pico/stdlib.h"
10 #include "pico/binary_info.h"
11 #include "hardware/i2c.h"
12
13 /* Example code to talk to a MPU6050 MEMS accelerometer and gyroscope
14
15 This is taking to simple approach of simply reading registers. It's perfectly
16 possible to link up an interrupt line and set things up to read from the
17 inbuilt FIFO to make it more useful.
18
19 NOTE: Ensure the device is capable of being driven at 3.3v NOT 5v. The Pico
20 GPIO (and therefor I2C) cannot be used at 5v.
21
22 You will need to use a level shifter on the I2C lines if you want to run the

```

```

23  board at 5v.
24
25  Connections on Raspberry Pi Pico board, other boards may vary.
26
27  GPIO PICO_DEFAULT_I2C_SDA_PIN (On Pico this is GP4 (pin 6)) -> SDA on MPU6050 board
28  GPIO PICO_DEFAULT_I2C_SCL_PIN (On Pico this is GP5 (pin 7)) -> SCL on MPU6050 board
29  3.3v (pin 36) -> VCC on MPU6050 board
30  GND (pin 38) -> GND on MPU6050 board
31  */
32
33  // By default these devices are on bus address 0x68
34  static int addr = 0x68;
35
36  #ifdef i2c_default
37  static void mpu6050_reset() {
38      // Two byte reset. First byte register, second byte data
39      // There are a load more options to set up the device in different ways that could be
      added here
40      uint8_t buf[] = {0x6B, 0x80};
41      i2c_write_blocking(i2c_default, addr, buf, 2, false);
42  }
43
44  static void mpu6050_read_raw(int16_t accel[3], int16_t gyro[3], int16_t *temp) {
45      // For this particular device, we send the device the register we want to read
46      // first, then subsequently read from the device. The register is auto incrementing
47      // so we don't need to keep sending the register we want, just the first.
48
49      uint8_t buffer[6];
50
51      // Start reading acceleration registers from register 0x3B for 6 bytes
52      uint8_t val = 0x3B;
53      i2c_write_blocking(i2c_default, addr, &val, 1, true); // true to keep master control of
      bus
54      i2c_read_blocking(i2c_default, addr, buffer, 6, false);
55
56      for (int i = 0; i < 3; i++) {
57          accel[i] = (buffer[i * 2] << 8 | buffer[(i * 2) + 1]);
58      }
59
60      // Now gyro data from reg 0x43 for 6 bytes
61      // The register is auto incrementing on each read
62      val = 0x43;
63      i2c_write_blocking(i2c_default, addr, &val, 1, true);
64      i2c_read_blocking(i2c_default, addr, buffer, 6, false); // False - finished with bus
65
66      for (int i = 0; i < 3; i++) {
67          gyro[i] = (buffer[i * 2] << 8 | buffer[(i * 2) + 1]);
68      }
69
70      // Now temperature from reg 0x41 for 2 bytes
71      // The register is auto incrementing on each read
72      val = 0x41;
73      i2c_write_blocking(i2c_default, addr, &val, 1, true);
74      i2c_read_blocking(i2c_default, addr, buffer, 2, false); // False - finished with bus
75
76      *temp = buffer[0] << 8 | buffer[1];
77  }
78  #endif
79
80  int main() {
81      stdio_init_all();
82      #if !defined(i2c_default) || !defined(PICO_DEFAULT_I2C_SDA_PIN) ||
      !defined(PICO_DEFAULT_I2C_SCL_PIN)
83          #warning i2c/mpu6050_i2c example requires a board with I2C pins

```



```

84     puts("Default I2C pins were not defined");
85     return 0;
86 #else
87     printf("Hello, MPU6050! Reading raw data from registers...\n");
88
89     // This example will use I2C0 on the default SDA and SCL pins (4, 5 on a Pico)
90     i2c_init(i2c_default, 400 * 1000);
91     gpio_set_function(PICO_DEFAULT_I2C_SDA_PIN, GPIO_FUNC_I2C);
92     gpio_set_function(PICO_DEFAULT_I2C_SCL_PIN, GPIO_FUNC_I2C);
93     gpio_pull_up(PICO_DEFAULT_I2C_SDA_PIN);
94     gpio_pull_up(PICO_DEFAULT_I2C_SCL_PIN);
95     // Make the I2C pins available to picotool
96     bi_decl(bi_2pins_with_func(PICO_DEFAULT_I2C_SDA_PIN, PICO_DEFAULT_I2C_SCL_PIN,
GPIO_FUNC_I2C));
97
98     mpu6050_reset();
99
100    int16_t acceleration[3], gyro[3], temp;
101
102    while (1) {
103        mpu6050_read_raw(acceleration, gyro, &temp);
104
105        // These are the raw numbers from the chip, so will need tweaking to be really useful.
106        // See the datasheet for more information
107        printf("Acc. X = %d, Y = %d, Z = %d\n", acceleration[0], acceleration[1],
acceleration[2]);
108        printf("Gyro. X = %d, Y = %d, Z = %d\n", gyro[0], gyro[1], gyro[2]);
109        // Temperature is simple so use the datasheet calculation to get deg C.
110        // Note this is chip temperature.
111        printf("Temp. = %f\n", (temp / 340.0) + 36.53);
112
113        sleep_ms(100);
114    }
115 #endif
116 }

```

Bill of Materials

Table 15. A list of materials required for the example

Item	Quantity	Details
Breadboard	1	generic part
Raspberry Pi Pico	1	https://www.raspberrypi.com/products/raspberry-pi-pico/
MPU6050 board	1	generic part
M/M Jumper wires	4	generic part

Attaching a 16x2 LCD via I2C

This example code shows how to interface the Raspberry Pi Pico to one of the very common 16x2 LCD character displays. The display will need a 3.3V I2C adapter board as this example uses I2C for communications.

i NOTE

These LCD displays can also be driven directly using GPIO without the use of an adapter board. That is beyond the scope of this example.

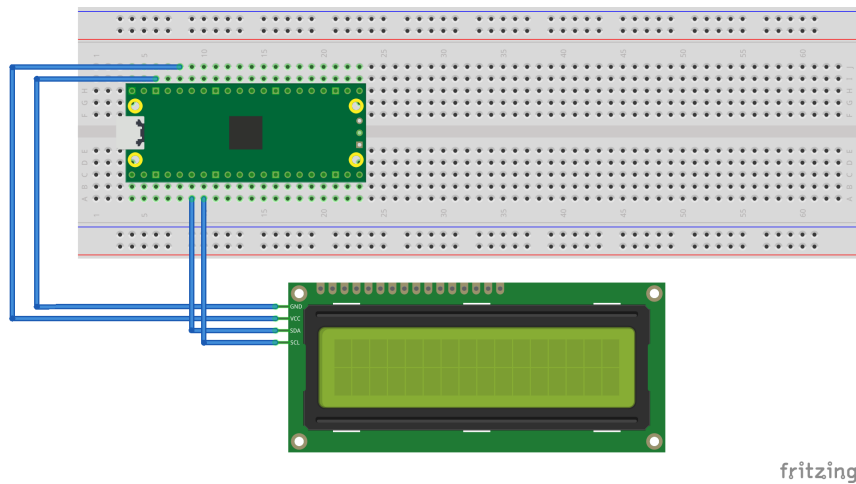
Wiring information

Wiring up the device requires 4 jumpers, to connect VCC (3.3v), GND, SDA and SCL. The example here uses I2C port 0, which is assigned to GPIO 4 (SDA) and 5 (SCL) in software. Power is supplied from the 3.3V pin.

⊖ WARNING

Many displays of this type are 5v. If you wish to use a 5v display you will need to use level shifters on the SDA and SCL lines to convert from the 3.3V used by the RP2040. Whilst a 5v display will just about work at 3.3v, the display will be dim.

Figure 18. Wiring Diagram for LCD1602A LCD with I2C bridge.

**List of Files****CMakeLists.txt**

CMake file to incorporate the example in to the examples build tree.

Pico Examples: https://github.com/raspberrypi/pico-examples/blob/master/i2c/lcd_1602_i2c/CMakeLists.txt

```

1 add_executable(lcd_1602_i2c
2     lcd_1602_i2c.c
3 )
4
5 # pull in common dependencies and additional i2c hardware support
6 target_link_libraries(lcd_1602_i2c pico_stdlib hardware_i2c)
7
8 # create map/bin/hex file etc.
9 pico_add_extra_outputs(lcd_1602_i2c)
10
11 # add url via pico_set_program_url
12 example_auto_set_url(lcd_1602_i2c)

```

lcd_1602_i2c.c

The example code.

Pico Examples: https://github.com/raspberrypi/pico-examples/blob/master/i2c/lcd_1602_i2c/lcd_1602_i2c.c

```

1 /**
2  * Copyright (c) 2020 Raspberry Pi (Trading) Ltd.
3  *
4  * SPDX-License-Identifier: BSD-3-Clause
5  */
6
7 #include <stdio.h>
8 #include <string.h>
9 #include "pico/stdlib.h"
10 #include "hardware/i2c.h"
11 #include "pico/binary_info.h"
12
13 /* Example code to drive a 16x2 LCD panel via a I2C bridge chip (e.g. PCF8574)
14
15     NOTE: The panel must be capable of being driven at 3.3v NOT 5v. The Pico
16     GPIO (and therefor I2C) cannot be used at 5v.
17
18     You will need to use a level shifter on the I2C lines if you want to run the
19     board at 5v.
20
21     Connections on Raspberry Pi Pico board, other boards may vary.
22
23     GPIO 4 (pin 6)-> SDA on LCD bridge board
24     GPIO 5 (pin 7)-> SCL on LCD bridge board
25     3.3v (pin 36) -> VCC on LCD bridge board
26     GND (pin 38) -> GND on LCD bridge board
27 */
28 // commands
29 const int LCD_CLEARDISPLAY = 0x01;
30 const int LCD_RETURNHOME = 0x02;
31 const int LCD_ENTRYMODESET = 0x04;
32 const int LCD_DISPLAYCONTROL = 0x08;
33 const int LCD_CURSORSHIFT = 0x10;
34 const int LCD_FUNCTIONSET = 0x20;
35 const int LCD_SETCGRAMADDR = 0x40;
36 const int LCD_SETDRAMADDR = 0x80;
37
38 // flags for display entry mode
39 const int LCD_ENTRYSHIFTINCREMENT = 0x01;
40 const int LCD_ENTRYLEFT = 0x02;
41
42 // flags for display and cursor control
43 const int LCD_BLINKON = 0x01;
44 const int LCD_CURSORON = 0x02;
45 const int LCD_DISPLAYON = 0x04;
46
47 // flags for display and cursor shift
48 const int LCD_MOVERIGHT = 0x04;
49 const int LCD_DISPLAYMOVE = 0x08;
50
51 // flags for function set
52 const int LCD_5x10DOTS = 0x04;
53 const int LCD_2LINE = 0x08;
54 const int LCD_8BITMODE = 0x10;
55
56 // flag for backlight control
57 const int LCD_BACKLIGHT = 0x08;
58
59 const int LCD_ENABLE_BIT = 0x04;
60
61 // By default these LCD display drivers are on bus address 0x27

```

```

62 static int addr = 0x27;
63
64 // Modes for lcd_send_byte
65 #define LCD_CHARACTER 1
66 #define LCD_COMMAND 0
67
68 #define MAX_LINES 2
69 #define MAX_CHARS 16
70
71 /* Quick helper function for single byte transfers */
72 void i2c_write_byte(uint8_t val) {
73 #ifdef i2c_default
74     i2c_write_blocking(i2c_default, addr, &val, 1, false);
75 #endif
76 }
77
78 void lcd_toggle_enable(uint8_t val) {
79     // Toggle enable pin on LCD display
80     // We cannot do this too quickly or things don't work
81 #define DELAY_US 600
82     sleep_us(DELAY_US);
83     i2c_write_byte(val | LCD_ENABLE_BIT);
84     sleep_us(DELAY_US);
85     i2c_write_byte(val & ~LCD_ENABLE_BIT);
86     sleep_us(DELAY_US);
87 }
88
89 // The display is sent a byte as two separate nibble transfers
90 void lcd_send_byte(uint8_t val, int mode) {
91     uint8_t high = mode | (val & 0xF0) | LCD_BACKLIGHT;
92     uint8_t low = mode | ((val << 4) & 0xF0) | LCD_BACKLIGHT;
93
94     i2c_write_byte(high);
95     lcd_toggle_enable(high);
96     i2c_write_byte(low);
97     lcd_toggle_enable(low);
98 }
99
100 void lcd_clear(void) {
101     lcd_send_byte(LCD_CLEARDISPLAY, LCD_COMMAND);
102 }
103
104 // go to location on LCD
105 void lcd_set_cursor(int line, int position) {
106     int val = (line == 0) ? 0x80 + position : 0xC0 + position;
107     lcd_send_byte(val, LCD_COMMAND);
108 }
109
110 static void inline lcd_char(char val) {
111     lcd_send_byte(val, LCD_CHARACTER);
112 }
113
114 void lcd_string(const char *s) {
115     while (*s) {
116         lcd_char(*s++);
117     }
118 }
119
120 void lcd_init() {
121     lcd_send_byte(0x03, LCD_COMMAND);
122     lcd_send_byte(0x03, LCD_COMMAND);
123     lcd_send_byte(0x03, LCD_COMMAND);
124     lcd_send_byte(0x02, LCD_COMMAND);
125

```

```

126     lcd_send_byte(LCD_ENTRYMODESET | LCD_ENTRYLEFT, LCD_COMMAND);
127     lcd_send_byte(LCD_FUNCTIONSET | LCD_2LINE, LCD_COMMAND);
128     lcd_send_byte(LCD_DISPLAYCONTROL | LCD_DISPLAYON, LCD_COMMAND);
129     lcd_clear();
130 }
131
132 int main() {
133     #if !defined(i2c_default) || !defined(PICO_DEFAULT_I2C_SDA_PIN) ||
134         !defined(PICO_DEFAULT_I2C_SCL_PIN)
135         #warning i2c/lcd_1602_i2c example requires a board with I2C pins
136     #else
137         // This example will use I2C0 on the default SDA and SCL pins (4, 5 on a Pico)
138         i2c_init(i2c_default, 100 * 1000);
139         gpio_set_function(PICO_DEFAULT_I2C_SDA_PIN, GPIO_FUNC_I2C);
140         gpio_set_function(PICO_DEFAULT_I2C_SCL_PIN, GPIO_FUNC_I2C);
141         gpio_pull_up(PICO_DEFAULT_I2C_SDA_PIN);
142         gpio_pull_up(PICO_DEFAULT_I2C_SCL_PIN);
143         // Make the I2C pins available to picotool
144         bi_decl(bi_2pins_with_func(PICO_DEFAULT_I2C_SDA_PIN, PICO_DEFAULT_I2C_SCL_PIN,
145             GPIO_FUNC_I2C));
146
147         lcd_init();
148
149         static char *message[] =
150             {
151                 "RP2040 by", "Raspberry Pi",
152                 "A brand new", "microcontroller",
153                 "Twin core M0", "Full C SDK",
154                 "More power in", "your product",
155                 "More beans", "than Heinz!"
156             };
157
158         while (1) {
159             for (int m = 0; m < sizeof(message) / sizeof(message[0]); m += MAX_LINES) {
160                 for (int line = 0; line < MAX_LINES; line++) {
161                     lcd_set_cursor(line, (MAX_CHARS / 2) - strlen(message[m + line]) / 2);
162                     lcd_string(message[m + line]);
163                 }
164                 sleep_ms(2000);
165                 lcd_clear();
166             }
167         }
168     #endif
169 }

```

Bill of Materials

Table 16. A list of materials required for the example

Item	Quantity	Details
Breadboard	1	generic part
Raspberry Pi Pico	1	https://www.raspberrypi.com/products/raspberry-pi-pico/
1602A based LCD panel 3.3v	1	generic part
1602A to I2C bridge device 3.3v	1	generic part
M/M Jumper wires	4	generic part

Attaching a BMP280 temp/pressure sensor via I2C

This example code shows how to interface the Raspberry Pi Pico with the popular BMP280 temperature and air pressure sensor manufactured by Bosch. A similar variant, the BME280, exists that can also measure humidity. There is another example that uses the BME280 device but talks to it via SPI as opposed to I2C.

The code reads data from the sensor's registers every 500 milliseconds and prints it via the onboard UART. This example operates the BMP280 in *normal* mode, meaning that the device continuously cycles between a measurement period and a standby period at a regular interval we can set. This has the advantage that subsequent reads do not require configuration register writes and is the recommended mode of operation to filter out short-term disturbances.

TIP

The BMP280 is highly configurable with 3 modes of operation, various oversampling levels, and 5 filter settings. Find the datasheet online (<https://www.bosch-sensortec.com/media/boschsensortec/downloads/datasheets/bst-bmp280-ds001.pdf>) to explore all of its capabilities beyond the simple example given here.

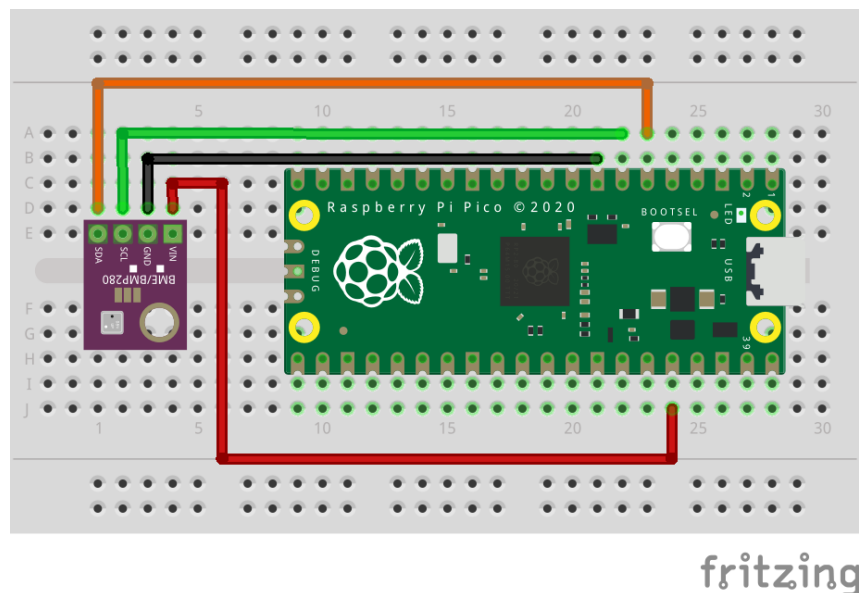
Wiring information

Wiring up the device requires 4 jumpers, to connect VCC (3.3v), GND, SDA and SCL. The example here uses the default I2C port 0, which is assigned to GPIO 4 (SDA) and 5 (SCL) in software. Power is supplied from the 3.3V pin from the Pico.

WARNING

The BMP280 has a maximum supply voltage rating of 3.6V. Most breakout boards have voltage regulators that will allow a range of input voltages of 2-6V, but make sure to check beforehand.

Figure 19. Wiring Diagram for BMP280 sensor via I2C.



List of Files

CMakeLists.txt

CMake file to incorporate the example into the examples build tree.

Pico Examples: https://github.com/raspberrypi/pico-examples/blob/master/i2c/bmp280_i2c/CMakeLists.txt

```

1 add_executable(bmp280_i2c
2     bmp280_i2c.c
3 )
4
5 # pull in common dependencies and additional i2c hardware support
6 target_link_libraries(bmp280_i2c pico_stdlib hardware_i2c)
7
8 # create map/bin/hex file etc.
9 pico_add_extra_outputs(bmp280_i2c)
10
11 # add url via pico_set_program_url
12 example_auto_set_url(bmp280_i2c)

```

bmp280_i2c.c

The example code.

Pico Examples: https://github.com/raspberrypi/pico-examples/blob/master/i2c/bmp280_i2c/bmp280_i2c.c

```

1 /**
2  * Copyright (c) 2021 Raspberry Pi (Trading) Ltd.
3  *
4  * SPDX-License-Identifier: BSD-3-Clause
5  */
6
7 #include <stdio.h>
8
9 #include "hardware/i2c.h"
10 #include "pico/binary_info.h"
11 #include "pico/stdlib.h"
12
13 /* Example code to talk to a BMP280 temperature and pressure sensor
14
15     NOTE: Ensure the device is capable of being driven at 3.3v NOT 5v. The Pico
16     GPIO (and therefore I2C) cannot be used at 5v.
17
18     You will need to use a level shifter on the I2C lines if you want to run the
19     board at 5v.
20
21     Connections on Raspberry Pi Pico board, other boards may vary.
22
23     GPIO PICO_DEFAULT_I2C_SDA_PIN (on Pico this is GP4 (pin 6)) -> SDA on BMP280
24     board
25     GPIO PICO_DEFAULT_I2C_SCK_PIN (on Pico this is GP5 (pin 7)) -> SCL on
26     BMP280 board
27     3.3v (pin 36) -> VCC on BMP280 board
28     GND (pin 38) -> GND on BMP280 board
29 */
30
31 // device has default bus address of 0x76
32 #define ADDR _u(0x76)
33
34 // hardware registers
35 #define REG_CONFIG _u(0xF5)
36 #define REG_CTRL_MEAS _u(0xF4)
37 #define REG_RESET _u(0xE0)
38
39 #define REG_TEMP_XLSB _u(0xFC)
40 #define REG_TEMP_LSB _u(0xFB)
41 #define REG_TEMP_MSB _u(0xFA)

```

```

42
43 #define REG_PRESSURE_XLSB _u(0xF9)
44 #define REG_PRESSURE_LSB _u(0xF8)
45 #define REG_PRESSURE_MSB _u(0xF7)
46
47 // calibration registers
48 #define REG_DIG_T1_LSB _u(0x88)
49 #define REG_DIG_T1_MSB _u(0x89)
50 #define REG_DIG_T2_LSB _u(0x8A)
51 #define REG_DIG_T2_MSB _u(0x8B)
52 #define REG_DIG_T3_LSB _u(0x8C)
53 #define REG_DIG_T3_MSB _u(0x8D)
54 #define REG_DIG_P1_LSB _u(0x8E)
55 #define REG_DIG_P1_MSB _u(0x8F)
56 #define REG_DIG_P2_LSB _u(0x90)
57 #define REG_DIG_P2_MSB _u(0x91)
58 #define REG_DIG_P3_LSB _u(0x92)
59 #define REG_DIG_P3_MSB _u(0x93)
60 #define REG_DIG_P4_LSB _u(0x94)
61 #define REG_DIG_P4_MSB _u(0x95)
62 #define REG_DIG_P5_LSB _u(0x96)
63 #define REG_DIG_P5_MSB _u(0x97)
64 #define REG_DIG_P6_LSB _u(0x98)
65 #define REG_DIG_P6_MSB _u(0x99)
66 #define REG_DIG_P7_LSB _u(0x9A)
67 #define REG_DIG_P7_MSB _u(0x9B)
68 #define REG_DIG_P8_LSB _u(0x9C)
69 #define REG_DIG_P8_MSB _u(0x9D)
70 #define REG_DIG_P9_LSB _u(0x9E)
71 #define REG_DIG_P9_MSB _u(0x9F)
72
73 // number of calibration registers to be read
74 #define NUM_CALIB_PARAMS 24
75
76 struct bmp280_calib_param {
77     // temperature params
78     uint16_t dig_t1;
79     int16_t dig_t2;
80     int16_t dig_t3;
81
82     // pressure params
83     uint16_t dig_p1;
84     int16_t dig_p2;
85     int16_t dig_p3;
86     int16_t dig_p4;
87     int16_t dig_p5;
88     int16_t dig_p6;
89     int16_t dig_p7;
90     int16_t dig_p8;
91     int16_t dig_p9;
92 };
93
94 #ifdef i2c_default
95 void bmp280_init() {
96     // use the "handheld device dynamic" optimal setting (see datasheet)
97     uint8_t buf[2];
98
99     // 500ms sampling time, x16 filter
100     const uint8_t reg_config_val = ((0x04 << 5) | (0x05 << 2)) & 0xFC;
101
102     // send register number followed by its corresponding value
103     buf[0] = REG_CONFIG;
104     buf[1] = reg_config_val;
105     i2c_write_blocking(i2c_default, ADDR, buf, 2, false);

```



```

106
107 // osrs_t x1, osrs_p x4, normal mode operation
108 const uint8_t reg_ctrl_meas_val = (0x01 << 5) | (0x03 << 2) | (0x03);
109 buf[0] = REG_CTRL_MEAS;
110 buf[1] = reg_ctrl_meas_val;
111 i2c_write_blocking(i2c_default, ADDR, buf, 2, false);
112 }
113
114 void bmp280_read_raw(int32_t* temp, int32_t* pressure) {
115 // BMP280 data registers are auto-incrementing and we have 3 temperature and
116 // pressure registers each, so we start at 0xF7 and read 6 bytes to 0xFC
117 // note: normal mode does not require further ctrl_meas and config register writes
118
119 uint8_t buf[6];
120 uint8_t reg = REG_PRESSURE_MSB;
121 i2c_write_blocking(i2c_default, ADDR, &reg, 1, true); // true to keep master control of
bus
122 i2c_read_blocking(i2c_default, ADDR, buf, 6, false); // false - finished with bus
123
124 // store the 20 bit read in a 32 bit signed integer for conversion
125 *pressure = (buf[0] << 12) | (buf[1] << 4) | (buf[2] >> 4);
126 *temp = (buf[3] << 12) | (buf[4] << 4) | (buf[5] >> 4);
127 }
128
129 void bmp280_reset() {
130 // reset the device with the power-on-reset procedure
131 uint8_t buf[2] = { REG_RESET, 0xB6 };
132 i2c_write_blocking(i2c_default, ADDR, buf, 2, false);
133 }
134
135 // intermediate function that calculates the fine resolution temperature
136 // used for both pressure and temperature conversions
137 int32_t bmp280_convert(int32_t temp, struct bmp280_calib_param* params) {
138 // use the 32-bit fixed point compensation implementation given in the
139 // datasheet
140
141 int32_t var1, var2;
142 var1 = (((temp >> 3) - ((int32_t)params->dig_t1 << 1))) * ((int32_t)params->dig_t2) >>
11;
143 var2 = (((((temp >> 4) - ((int32_t)params->dig_t1)) * ((temp >> 4) - ((int32_t)params-
>dig_t1))) >> 12) * ((int32_t)params->dig_t3)) >> 14;
144 return var1 + var2;
145 }
146
147 int32_t bmp280_convert_temp(int32_t temp, struct bmp280_calib_param* params) {
148 // uses the BMP280 calibration parameters to compensate the temperature value read from
its registers
149 int32_t t_fine = bmp280_convert(temp, params);
150 return (t_fine * 5 + 128) >> 8;
151 }
152
153 int32_t bmp280_convert_pressure(int32_t pressure, int32_t temp, struct bmp280_calib_param*
params) {
154 // uses the BMP280 calibration parameters to compensate the pressure value read from its
registers
155
156 int32_t t_fine = bmp280_convert(temp, params);
157
158 int32_t var1, var2;
159 uint32_t converted = 0.0;
160 var1 = (((int32_t)t_fine) >> 1) - (int32_t)64000;
161 var2 = (((var1 >> 2) * (var1 >> 2)) >> 11) * ((int32_t)params->dig_p6);
162 var2 += ((var1 * ((int32_t)params->dig_p5)) << 1);
163 var2 = (var2 >> 2) + (((int32_t)params->dig_p4) << 16);

```

```

164     var1 = (((params->dig_p3 * ((var1 >> 2) * (var1 >> 2)) >> 13)) >> 3) + (((int32_t
)params->dig_p2) * var1 >> 1)) >> 18;
165     var1 = (((32768 + var1)) * ((int32_t)params->dig_p1)) >> 15);
166     if (var1 == 0) {
167         return 0; // avoid exception caused by division by zero
168     }
169     converted = (((uint32_t)((int32_t)1048576) - pressure) - (var2 >> 12))) * 3125;
170     if (converted < 0x80000000) {
171         converted = (converted << 1) / ((uint32_t)var1);
172     } else {
173         converted = (converted / (uint32_t)var1) * 2;
174     }
175     var1 = (((int32_t)params->dig_p9) * ((int32_t)(((converted >> 3) * (converted >> 3)) >>
13))) >> 12;
176     var2 = (((int32_t)(converted >> 2)) * ((int32_t)params->dig_p8)) >> 13;
177     converted = (uint32_t)((int32_t)converted + ((var1 + var2 + params->dig_p7) >> 4));
178     return converted;
179 }
180
181 void bmp280_get_calib_params(struct bmp280_calib_param* params) {
182     // raw temp and pressure values need to be calibrated according to
183     // parameters generated during the manufacturing of the sensor
184     // there are 3 temperature params, and 9 pressure params, each with a LSB
185     // and MSB register, so we read from 24 registers
186
187     uint8_t buf[NUM_CALIB_PARAMS] = { 0 };
188     uint8_t reg = REG_DIG_T1_LSB;
189     i2c_write_blocking(i2c_default, ADDR, &reg, 1, true); // true to keep master control of
bus
190     // read in one go as register addresses auto-increment
191     i2c_read_blocking(i2c_default, ADDR, buf, NUM_CALIB_PARAMS, false); // false, we're
done reading
192
193     // store these in a struct for later use
194     params->dig_t1 = (uint16_t)(buf[1] << 8) | buf[0];
195     params->dig_t2 = (int16_t)(buf[3] << 8) | buf[2];
196     params->dig_t3 = (int16_t)(buf[5] << 8) | buf[4];
197
198     params->dig_p1 = (uint16_t)(buf[7] << 8) | buf[6];
199     params->dig_p2 = (int16_t)(buf[9] << 8) | buf[8];
200     params->dig_p3 = (int16_t)(buf[11] << 8) | buf[10];
201     params->dig_p4 = (int16_t)(buf[13] << 8) | buf[12];
202     params->dig_p5 = (int16_t)(buf[15] << 8) | buf[14];
203     params->dig_p6 = (int16_t)(buf[17] << 8) | buf[16];
204     params->dig_p7 = (int16_t)(buf[19] << 8) | buf[18];
205     params->dig_p8 = (int16_t)(buf[21] << 8) | buf[20];
206     params->dig_p9 = (int16_t)(buf[23] << 8) | buf[22];
207 }
208
209 #endif
210
211 int main() {
212     stdio_init_all();
213
214     #if !defined(i2c_default) || !defined(PICO_DEFAULT_I2C_SDA_PIN) ||
!defined(PICO_DEFAULT_I2C_SCL_PIN)
215         #warning i2c / bmp280_i2c example requires a board with I2C pins
216         puts("Default I2C pins were not defined");
217         return 0;
218     #else
219         // useful information for picotool
220         bi_decl(bi_2pins_with_func(PICO_DEFAULT_I2C_SDA_PIN, PICO_DEFAULT_I2C_SCL_PIN,
GPIO_FUNC_I2C));
221         bi_decl(bi_program_description("BMP280 I2C example for the Raspberry Pi Pico"));

```

```

222
223     printf("Hello, BMP280! Reading temperaure and pressure values from sensor...\n");
224
225     // I2C is "open drain", pull ups to keep signal high when no data is being sent
226     i2c_init(i2c_default, 100 * 1000);
227     gpio_set_function(PICO_DEFAULT_I2C_SDA_PIN, GPIO_FUNC_I2C);
228     gpio_set_function(PICO_DEFAULT_I2C_SCL_PIN, GPIO_FUNC_I2C);
229     gpio_pull_up(PICO_DEFAULT_I2C_SDA_PIN);
230     gpio_pull_up(PICO_DEFAULT_I2C_SCL_PIN);
231
232     // configure BMP280
233     bmp280_init();
234
235     // retrieve fixed compensation params
236     struct bmp280_calib_param params;
237     bmp280_get_calib_params(&params);
238
239     int32_t raw_temperature;
240     int32_t raw_pressure;
241
242     sleep_ms(250); // sleep so that data polling and register update don't collide
243     while (1) {
244         bmp280_read_raw(&raw_temperature, &raw_pressure);
245         int32_t temperature = bmp280_convert_temp(raw_temperature, &params);
246         int32_t pressure = bmp280_convert_pressure(raw_pressure, raw_temperature, &params);
247         printf("Pressure = %.3f kPa\n", pressure / 1000.f);
248         printf("Temp. = %.2f C\n", temperature / 100.f);
249         // poll every 500ms
250         sleep_ms(500);
251     }
252 #endif
253 }

```

Bill of Materials

Table 17. A list of materials required for the example

Item	Quantity	Details
Breadboard	1	generic part
Raspberry Pi Pico	1	https://www.raspberrypi.com/products/raspberry-pi-pico/
BMP280-based breakout board	1	from Pimoroni
M/M Jumper wires	4	generic part

Attaching a LIS3DH Nano Accelerometer via i2c.

This example shows you how to interface the Raspberry Pi Pico to the LIS3DH accelerometer and temperature sensor.

The code reads and displays the acceleration values of the board in the 3 axes and the ambient temperature value. The datasheet for the sensor can be found at <https://www.st.com/resource/en/datasheet/cd00274221.pdf>. The device is being operated on 'normal mode' and at a frequency of 1.344 kHz (this can be changed by editing the ODR bits of CTRL_REG4). The range of the data is controlled by the FS bit in CTRL_REG4 and is equal to $\pm 2g$ in this example. The sensitivity depends on the operating mode and data range; exact values can be found on page 10 of the datasheet. In this case, the sensitivity value is 4mg (where g is the value of gravitational acceleration on the surface of Earth). In order to use the auxiliary ADC to read temperature, the we must set the BDU bit to 1 in CTRL_REG4 and the ADC_EN bit to 1 in TEMP_CFG_REG. Temperature is communicated through ADC 3.

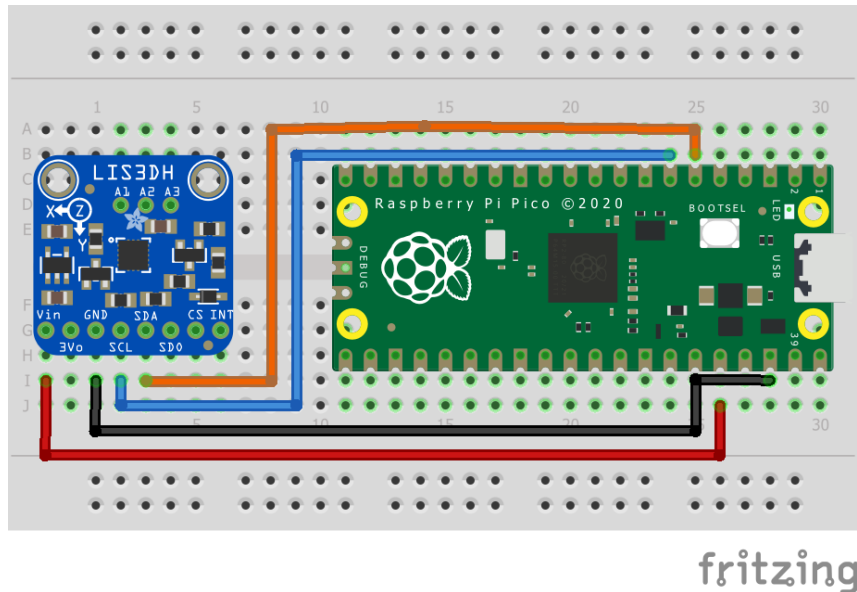
i NOTE

The sensor doesn't have features to eliminate offsets in the data and these will need to be taken into account in the code.

Wiring information

Wiring up the device requires 4 jumpers, to connect VIN, GND, SDA and SCL. The example here uses I2C port 0, which is assigned to GPIO 4 (SDA) and 5 (SCL) in software. Power is supplied from the 3V pin.

Figure 20. Wiring Diagram for LIS3DH.

**List of Files****CMakeLists.txt**

CMake file to incorporate the example in to the examples build tree.

Pico Examples: https://github.com/raspberrypi/pico-examples/blob/master/i2c/lis3dh_i2c/CMakeLists.txt

```

1 add_executable(lis3dh_i2c
2     lis3dh_i2c.c
3 )
4
5 # pull in common dependencies and additional i2c hardware support
6 target_link_libraries(lis3dh_i2c pico_stdlib hardware_i2c)
7
8 # create map/bin/hex file etc.
9 pico_add_extra_outputs(lis3dh_i2c)
10
11 # add url via pico_set_program_url
12 example_auto_set_url(lis3dh_i2c)

```

lis3dh_i2c.c

The example code.

Pico Examples: https://github.com/raspberrypi/pico-examples/blob/master/i2c/lis3dh_i2c/lis3dh_i2c.c

```

1 /**
2  * Copyright (c) 2020 Raspberry Pi (Trading) Ltd.
3  *
4  * SPDX-License-Identifier: BSD-3-Clause
5  */
6
7 #include <stdio.h>
8 #include <string.h>
9 #include "pico/stdlib.h"
10 #include "pico/binary_info.h"
11 #include "hardware/i2c.h"
12
13 /* Example code to talk to a LIS3DH Mini GPS module.
14
15    This example reads data from all 3 axes of the accelerometer and uses an auxillary ADC to
16    output temperature values.
17
18    Connections on Raspberry Pi Pico board, other boards may vary.
19
20    GPIO PICO_DEFAULT_I2C_SDA_PIN (On Pico this is 4 (physical pin 6)) -> SDA on LIS3DH board
21    GPIO PICO_DEFAULT_I2C_SCK_PIN (On Pico this is 5 (physical pin 7)) -> SCL on LIS3DH board
22    3.3v (physical pin 36) -> VIN on LIS3DH board
23    GND (physical pin 38) -> GND on LIS3DH board
24 */
25 // By default this device is on bus address 0x18
26
27 const int ADDRESS = 0x18;
28 const uint8_t CTRL_REG_1 = 0x20;
29 const uint8_t CTRL_REG_4 = 0x23;
30 const uint8_t TEMP_CFG_REG = 0xC0;
31
32 #ifdef i2c_default
33
34 void lis3dh_init() {
35     uint8_t buf[2];
36
37     // Turn normal mode and 1.344kHz data rate on
38     buf[0] = CTRL_REG_1;
39     buf[1] = 0x97;
40     i2c_write_blocking(i2c_default, ADDRESS, buf, 2, false);
41
42     // Turn block data update on (for temperature sensing)
43     buf[0] = CTRL_REG_4;
44     buf[1] = 0x80;
45     i2c_write_blocking(i2c_default, ADDRESS, buf, 2, false);
46
47     // Turn auxillary ADC on
48     buf[0] = TEMP_CFG_REG;
49     buf[1] = 0xC0;
50     i2c_write_blocking(i2c_default, ADDRESS, buf, 2, false);
51 }
52
53 void lis3dh_calc_value(uint16_t raw_value, float *final_value, bool isAccel) {
54     // Convert with respect to the value being temperature or acceleration reading
55     float scaling;
56     float sensitivity = 0.004f; // g per unit
57
58     if (isAccel == true) {
59         scaling = 64 / sensitivity;
60     } else {

```

```

61     scaling = 64;
62 }
63
64 // raw_value is signed
65 *final_value = (float) ((int16_t) raw_value) / scaling;
66 }
67
68 void lis3dh_read_data(uint8_t reg, float *final_value, bool IsAccel) {
69     // Read two bytes of data and store in a 16 bit data structure
70     uint8_t lsb;
71     uint8_t msb;
72     uint16_t raw_accel;
73     i2c_write_blocking(i2c_default, ADDRESS, &reg, 1, true);
74     i2c_read_blocking(i2c_default, ADDRESS, &lsb, 1, false);
75
76     reg |= 0x01;
77     i2c_write_blocking(i2c_default, ADDRESS, &reg, 1, true);
78     i2c_read_blocking(i2c_default, ADDRESS, &msb, 1, false);
79
80     raw_accel = (msb << 8) | lsb;
81
82     lis3dh_calc_value(raw_accel, final_value, IsAccel);
83 }
84
85 #endif
86
87 int main() {
88     stdio_init_all();
89     #if !defined(i2c_default) || !defined(PICO_DEFAULT_I2C_SDA_PIN) ||
90         !defined(PICO_DEFAULT_I2C_SCL_PIN)
91     #warning i2c/lis3dh_i2c example requires a board with I2C pins
92     puts("Default I2C pins were not defined");
93     #else
94     printf("Hello, LIS3DH! Reading raw data from registers...\n");
95
96     // This example will use I2C0 on the default SDA and SCL pins (4, 5 on a Pico)
97     i2c_init(i2c_default, 400 * 1000);
98     gpio_set_function(PICO_DEFAULT_I2C_SDA_PIN, GPIO_FUNC_I2C);
99     gpio_set_function(PICO_DEFAULT_I2C_SCL_PIN, GPIO_FUNC_I2C);
100    gpio_pull_up(PICO_DEFAULT_I2C_SDA_PIN);
101    gpio_pull_up(PICO_DEFAULT_I2C_SCL_PIN);
102    // Make the I2C pins available to picotool
103    bi_decl(bi_2pins_with_func(PICO_DEFAULT_I2C_SDA_PIN, PICO_DEFAULT_I2C_SCL_PIN,
104        GPIO_FUNC_I2C));
105
106    float x_accel, y_accel, z_accel, temp;
107
108    lis3dh_init();
109
110    while (1) {
111        lis3dh_read_data(0x28, &x_accel, true);
112        lis3dh_read_data(0x2A, &y_accel, true);
113        lis3dh_read_data(0x2C, &z_accel, true);
114        lis3dh_read_data(0x0C, &temp, false);
115
116        // Display data
117        printf("TEMPERATURE: %.3f°C\n", temp, 176);
118        // Acceleration is read as a multiple of g (gravitational acceleration on the Earth's
119        surface)
120        printf("ACCELERATION VALUES: \n");
121        printf("X acceleration: %.3fg\n", x_accel);
122        printf("Y acceleration: %.3fg\n", y_accel);
123        printf("Z acceleration: %.3fg\n", z_accel);
124    }
125 }

```

```

122     sleep_ms(500);
123
124     // Clear terminal
125     printf("\033[1;1H\033[2J");
126 }
127 #endif
128 }

```

Bill of Materials

Table 18. A list of materials required for the example

Item	Quantity	Details
Breadboard	1	generic part
Raspberry Pi Pico	1	https://www.raspberrypi.com/products/raspberry-pi-pico/
LIS3DH board	1	https://www.adafruit.com/product/2809
M/M Jumper wires	4	generic part

Attaching a MCP9808 digital temperature sensor via I2C

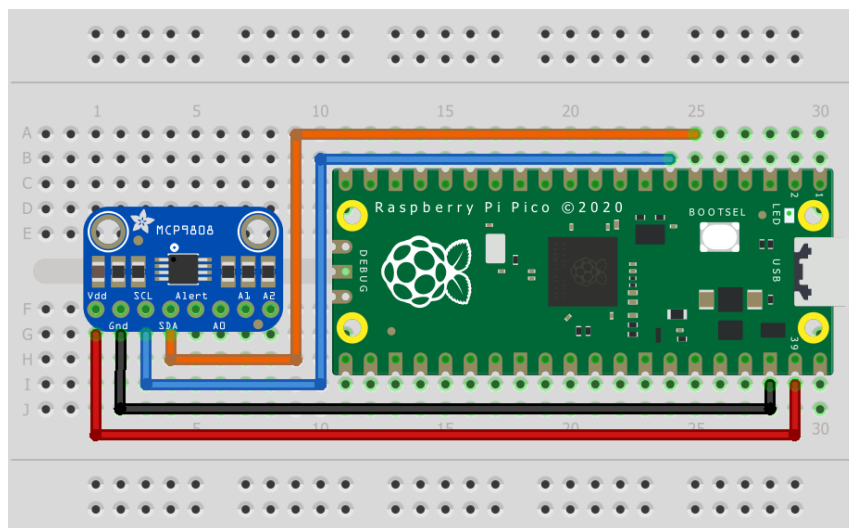
This example code shows how to interface the Raspberry Pi Pico to the MCP9808 digital temperature sensor board.

This example reads the ambient temperature value each second from the sensor and sets upper, lower and critical limits for the temperature and checks if alerts need to be raised. The CONFIG register can also be used to check for an alert if the critical temperature is surpassed.

Wiring information

Wiring up the device requires 4 jumpers, to connect VDD, GND, SDA and SCL. The example here uses I2C port 0, which is assigned to GPIO 4 (SDA) and 5 (SCL) in software. Power is supplied from the VSY pin.

Figure 21. Wiring Diagram for MCP9808.



fritzing

List of Files

CMakeLists.txt

CMake file to incorporate the example in to the examples build tree.

Pico Examples: https://github.com/raspberrypi/pico-examples/blob/master/i2c/mcp9808_i2c/CMakeLists.txt

```

1 add_executable(mcp9808_i2c
2     mcp9808_i2c.c
3 )
4
5 # pull in common dependencies and additional i2c hardware support
6 target_link_libraries(mcp9808_i2c pico_stdlib hardware_i2c)
7
8 # create map/bin/hex file etc.
9 pico_add_extra_outputs(mcp9808_i2c)
10
11 # add url via pico_set_program_url
12 example_auto_set_url(mcp9808_i2c)

```

mcp9808_i2c.c

The example code.

Pico Examples: https://github.com/raspberrypi/pico-examples/blob/master/i2c/mcp9808_i2c/mcp9808_i2c.c

```

1 /**
2  * Copyright (c) 2020 Raspberry Pi (Trading) Ltd.
3  *
4  * SPDX-License-Identifier: BSD-3-Clause
5  */
6
7 #include <stdio.h>
8 #include <string.h>
9 #include "pico/stdlib.h"
10 #include "pico/binary_info.h"
11 #include "hardware/i2c.h"
12
13 /* Example code to talk to a MCP9808 ±0.5°C Digital temperature Sensor
14
15 This reads and writes to registers on the board.
16
17 Connections on Raspberry Pi Pico board, other boards may vary.
18
19 GPIO PICO_DEFAULT_I2C_SDA_PIN (On Pico this is GP4 (physical pin 6)) -> SDA on MCP9808
board
20 GPIO PICO_DEFAULT_I2C_SCK_PIN (On Pico this is GP5 (physical pin 7)) -> SCL on MCP9808
board
21 Vsys (physical pin 39) -> VDD on MCP9808 board
22 GND (physical pin 38) -> GND on MCP9808 board
23
24 */
25 //The bus address is determined by the state of pins A0, A1 and A2 on the MCP9808 board
26 static uint8_t ADDRESS = 0x18;
27
28 //hardware registers
29
30 const uint8_t REG_POINTER = 0x00;
31 const uint8_t REG_CONFIG = 0x01;
32 const uint8_t REG_TEMP_UPPER = 0x02;
33 const uint8_t REG_TEMP_LOWER = 0x03;

```



```

34 const uint8_t REG_TEMP_CRIT = 0x04;
35 const uint8_t REG_TEMP_AMB = 0x05;
36 const uint8_t REG_RESOLUTION = 0x08;
37
38
39 void mcp9808_check_limits(uint8_t upper_byte) {
40
41     // Check flags and raise alerts accordingly
42     if ((upper_byte & 0x40) == 0x40) { //TA > TUPPER
43         printf("Temperature is above the upper temperature limit.\n");
44     }
45     if ((upper_byte & 0x20) == 0x20) { //TA < TLOWER
46         printf("Temperature is below the lower temperature limit.\n");
47     }
48     if ((upper_byte & 0x80) == 0x80) { //TA > TCRIT
49         printf("Temperature is above the critical temperature limit.\n");
50     }
51 }
52
53 float mcp9808_convert_temp(uint8_t upper_byte, uint8_t lower_byte) {
54
55     float temperature;
56
57
58     //Check if TA <= 0°C and convert to denary accordingly
59     if ((upper_byte & 0x10) == 0x10) {
60         upper_byte = upper_byte & 0x0F;
61         temperature = 256 - (((float) upper_byte * 16) + ((float) lower_byte / 16));
62     } else {
63         temperature = (((float) upper_byte * 16) + ((float) lower_byte / 16));
64     }
65 }
66 return temperature;
67 }
68
69 #ifndef i2c_default
70 void mcp9808_set_limits() {
71
72     //Set an upper limit of 30°C for the temperature
73     uint8_t upper_temp_msb = 0x01;
74     uint8_t upper_temp_lsb = 0xE0;
75
76     //Set a lower limit of 20°C for the temperature
77     uint8_t lower_temp_msb = 0x01;
78     uint8_t lower_temp_lsb = 0x40;
79
80     //Set a critical limit of 40°C for the temperature
81     uint8_t crit_temp_msb = 0x02;
82     uint8_t crit_temp_lsb = 0x80;
83
84     uint8_t buf[3];
85     buf[0] = REG_TEMP_UPPER;
86     buf[1] = upper_temp_msb;
87     buf[2] = upper_temp_lsb;
88     i2c_write_blocking(i2c_default, ADDRESS, buf, 3, false);
89
90     buf[0] = REG_TEMP_LOWER;
91     buf[1] = lower_temp_msb;
92     buf[2] = lower_temp_lsb;
93     i2c_write_blocking(i2c_default, ADDRESS, buf, 3, false);
94
95     buf[0] = REG_TEMP_CRIT;
96     buf[1] = crit_temp_msb;
97     buf[2] = crit_temp_lsb;

```

```

98     i2c_write_blocking(i2c_default, ADDRESS, buf, 3, false);
99 }
100 #endif
101
102 int main() {
103
104     stdio_init_all();
105
106     #if !defined(i2c_default) || !defined(PICO_DEFAULT_I2C_SDA_PIN) ||
107         !defined(PICO_DEFAULT_I2C_SCL_PIN)
108     #warning i2c/mcp9808_i2c example requires a board with I2C pins
109     puts("Default I2C pins were not defined");
110 #else
111     printf("Hello, MCP9808! Reading raw data from registers...\n");
112
113     // This example will use I2C0 on the default SDA and SCL pins (4, 5 on a Pico)
114     i2c_init(i2c_default, 400 * 1000);
115     gpio_set_function(PICO_DEFAULT_I2C_SDA_PIN, GPIO_FUNC_I2C);
116     gpio_set_function(PICO_DEFAULT_I2C_SCL_PIN, GPIO_FUNC_I2C);
117     gpio_pull_up(PICO_DEFAULT_I2C_SDA_PIN);
118     gpio_pull_up(PICO_DEFAULT_I2C_SCL_PIN);
119     // Make the I2C pins available to picotool
120     bi_decl(bi_2pins_with_func(PICO_DEFAULT_I2C_SDA_PIN, PICO_DEFAULT_I2C_SCL_PIN,
121                               GPIO_FUNC_I2C));
122
123     mcp9808_set_limits();
124
125     uint8_t buf[2];
126     uint16_t upper_byte;
127     uint16_t lower_byte;
128
129     float temperature;
130
131     while (1) {
132         // Start reading ambient temperature register for 2 bytes
133         i2c_write_blocking(i2c_default, ADDRESS, &REG_TEMP_AMB, 1, true);
134         i2c_read_blocking(i2c_default, ADDRESS, buf, 2, false);
135
136         upper_byte = buf[0];
137         lower_byte = buf[1];
138
139         //isolates limit flags in upper byte
140         mcp9808_check_limits(upper_byte & 0xE0);
141
142         //clears flag bits in upper byte
143         temperature = mcp9808_convert_temp(upper_byte & 0x1F, lower_byte);
144         printf("Ambient temperature: %.4f°C\n", temperature);
145
146         sleep_ms(1000);
147     }
148 #endif
149 }

```

Bill of Materials

Table 19. A list of materials required for the example

Item	Quantity	Details
Breadboard	1	generic part

Raspberry Pi Pico	1	https://www.raspberrypi.com/products/raspberry-pi-pico/
MCP9808 board	1	https://www.adafruit.com/product/1782
M/M Jumper wires	4	generic part

Attaching a MMA8451 3-axis digital accelerometer via I2C

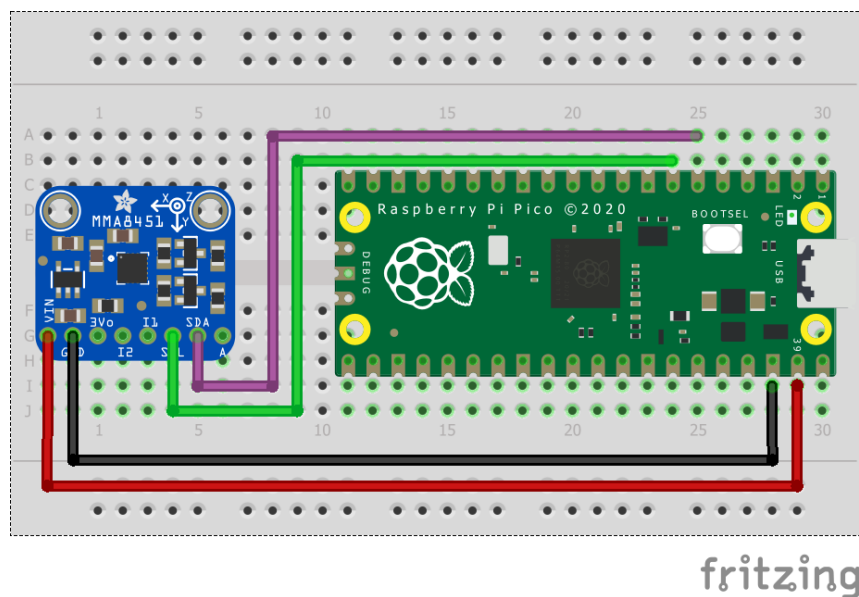
This example code shows how to interface the Raspberry Pi Pico to the MMA8451 digital accelerometer sensor board.

This example reads and displays the acceleration values of the board in the 3 axis. It also allows the user to set the trade-off between the range and precision based on the values they require. Values often have an offset which can be accounted for by writing to the offset correction registers. The datasheet for the sensor can be found at <https://cdn-shop.adafruit.com/datasheets/MMA8451Q-1.pdf> for additional information.

Wiring information

Wiring up the device requires 4 jumpers, to connect VIN, GND, SDA and SCL. The example here uses I2C port 0, which is assigned to GPIO 4 (SDA) and 5 (SCL) in software. Power is supplied from the VSYS pin.

Figure 22. Wiring Diagram for MMA8451.



List of Files

CMakeLists.txt

CMake file to incorporate the example in to the examples build tree.

Pico Examples: https://github.com/raspberrypi/pico-examples/blob/master/i2c/mma8451_i2c/CMakeLists.txt

```

1 add_executable(mma8451_i2c
2     mma8451_i2c.c
3 )
4 # pull in common dependencies and additional i2c hardware support
5 target_link_libraries(mma8451_i2c pico_stdlib hardware_i2c)
6

```

```

7 # create map/bin/hex file etc.
8 pico_add_extra_outputs(mma8451_i2c)
9
10 # add url via pico_set_program_url
11 example_auto_set_url(mma8451_i2c)

```

mma8451_i2c.c

The example code.

Pico Examples: https://github.com/raspberrypi/pico-examples/blob/master/i2c/mma8451_i2c/mma8451_i2c.c

```

1 /**
2  * Copyright (c) 2020 Raspberry Pi (Trading) Ltd.
3  *
4  * SPDX-License-Identifier: BSD-3-Clause
5  */
6
7 #include <stdio.h>
8 #include <string.h>
9 #include "pico/stdlib.h"
10 #include "pico/binary_info.h"
11 #include "hardware/i2c.h"
12
13 /* Example code to talk to a MMA8451 triple-axis accelerometer.
14
15    This reads and writes to registers on the board.
16
17    Connections on Raspberry Pi Pico board, other boards may vary.
18
19    GPIO PICO_DEFAULT_I2C_SDA_PIN (On Pico this is GP4 (physical pin 6)) -> SDA on MMA8451
    board
20    GPIO PICO_DEFAULT_I2C_SCK_PIN (On Pico this is GP5 (physical pin 7)) -> SCL on MMA8451
    board
21    VSYS (physical pin 39) -> VDD on MMA8451 board
22    GND (physical pin 38) -> GND on MMA8451 board
23
24 */
25
26 const uint8_t ADDRESS = 0x1D;
27
28 //hardware registers
29
30 const uint8_t REG_X_MSB = 0x01;
31 const uint8_t REG_X_LSB = 0x02;
32 const uint8_t REG_Y_MSB = 0x03;
33 const uint8_t REG_Y_LSB = 0x04;
34 const uint8_t REG_Z_MSB = 0x05;
35 const uint8_t REG_Z_LSB = 0x06;
36 const uint8_t REG_DATA_CFG = 0x0E;
37 const uint8_t REG_CTRL_REG1 = 0x2A;
38
39 // Set the range and precision for the data
40 const uint8_t range_config = 0x01; // 0x00 for ±2g, 0x01 for ±4g, 0x02 for ±8g
41 const float count = 2048; // 4096 for ±2g, 2048 for ±4g, 1024 for ±8g
42
43 uint8_t buf[2];
44
45 float mma8451_convert_accel(uint16_t raw_accel) {
46     float acceleration;
47     // Acceleration is read as a multiple of g (gravitational acceleration on the Earth's
    surface)
48     // Check if acceleration < 0 and convert to decimal accordingly

```

```

49     if ((raw_accel & 0x2000) == 0x2000) {
50         raw_accel &= 0x1FFF;
51         acceleration = (-8192 + (float) raw_accel) / count;
52     } else {
53         acceleration = (float) raw_accel / count;
54     }
55     acceleration *= 9.81f;
56     return acceleration;
57 }
58
59 #ifndef i2c_default
60 void mma8451_set_state(uint8_t state) {
61     buf[0] = REG_CTRL_REG1;
62     buf[1] = state; // Set RST bit to 1
63     i2c_write_blocking(i2c_default, ADDRESS, buf, 2, false);
64 }
65 #endif
66
67 int main() {
68     stdio_init_all();
69
70     #if !defined(i2c_default) || !defined(PICO_DEFAULT_I2C_SDA_PIN) ||
71         !defined(PICO_DEFAULT_I2C_SCL_PIN)
72     #warning i2c/mma8451_i2c example requires a board with I2C pins
73     puts("Default I2C pins were not defined");
74 #else
75     printf("Hello, MMA8451! Reading raw data from registers...\n");
76
77     // This example will use I2C0 on the default SDA and SCL pins (4, 5 on a Pico)
78     i2c_init(i2c_default, 400 * 1000);
79     gpio_set_function(PICO_DEFAULT_I2C_SDA_PIN, GPIO_FUNC_I2C);
80     gpio_set_function(PICO_DEFAULT_I2C_SCL_PIN, GPIO_FUNC_I2C);
81     gpio_pull_up(PICO_DEFAULT_I2C_SDA_PIN);
82     gpio_pull_up(PICO_DEFAULT_I2C_SCL_PIN);
83     // Make the I2C pins available to picotool
84     bi_decl(bi_2pins_with_func(PICO_DEFAULT_I2C_SDA_PIN, PICO_DEFAULT_I2C_SCL_PIN,
85         GPIO_FUNC_I2C));
86
87     float x_acceleration;
88     float y_acceleration;
89     float z_acceleration;
90
91     // Enable standby mode
92     mma8451_set_state(0x00);
93
94     // Edit configuration while in standby mode
95     buf[0] = REG_DATA_CFG;
96     buf[1] = range_config;
97     i2c_write_blocking(i2c_default, ADDRESS, buf, 2, false);
98
99     // Enable active mode
100    mma8451_set_state(0x01);
101
102    while (1) {
103        // Start reading acceleration registers for 2 bytes
104        i2c_write_blocking(i2c_default, ADDRESS, &REG_X_MSB, 1, true);
105        i2c_read_blocking(i2c_default, ADDRESS, buf, 2, false);
106        x_acceleration = mma8451_convert_accel(buf[0] << 6 | buf[1] >> 2);
107
108        i2c_write_blocking(i2c_default, ADDRESS, &REG_Y_MSB, 1, true);
109        i2c_read_blocking(i2c_default, ADDRESS, buf, 2, false);
110        y_acceleration = mma8451_convert_accel(buf[0] << 6 | buf[1] >> 2);
111

```

```

111     i2c_write_blocking(i2c_default, ADDRESS, &REG_Z_MSB, 1, true);
112     i2c_read_blocking(i2c_default, ADDRESS, buf, 2, false);
113     z_acceleration = mma8451_convert_accel(buf[0] << 6 | buf[1] >> 2);
114
115     // Display acceleration values
116     printf("ACCELERATION VALUES: \n");
117     printf("X acceleration: %.6fms^-2\n", x_acceleration);
118     printf("Y acceleration: %.6fms^-2\n", y_acceleration);
119     printf("Z acceleration: %.6fms^-2\n", z_acceleration);
120
121     sleep_ms(500);
122
123     // Clear terminal
124     printf("\033[1;1H\033[2J");
125 }
126
127 #endif
128 }

```

Bill of Materials

Table 20. A list of materials required for the example

Item	Quantity	Details
Breadboard	1	generic part
Raspberry Pi Pico	1	https://www.raspberrypi.com/products/raspberry-pi-pico/
MMA8451 board	1	https://www.adafruit.com/product/2019
M/M Jumper wires	4	generic part

Attaching an MPL3115A2 altimeter via I2C

This example code shows how to interface the Raspberry Pi Pico to an MPL3115A2 altimeter via I2C. The MPL3115A2 has onboard pressure and temperature sensors which are used to estimate the altitude. In comparison to the BMP-family of pressure and temperature sensors, the MPL3115A2 has two interrupt pins for ultra low power operation and takes care of the sensor reading compensation on the board! It also has multiple modes of operation and impressive operating conditions.

The board used in this example [comes from Adafruit](#), but any MPL3115A2 breakouts should work similarly.

The MPL3115A2 makes available two ways of reading its temperature and pressure data. The first is known as polling, where the Pico will continuously read data out of a set of auto-incrementing registers which are refreshed with new data every so often. The second, which this example will demonstrate, uses a 160-byte first-in-first-out (FIFO) queue and configurable interrupts to tell the Pico when to read data. More information regarding when the interrupts can be triggered available [in the datasheet](#). This example waits for the 32 sample FIFO to overflow, detects this via an interrupt pin, and then averages the 32 samples taken. The sensor is configured to take a sample every second.

Bit math is used to convert the temperature and altitude data from the raw bits collected in the registers. Take the temperature calculation as an example: it is a 12-bit signed number with 8 integer bits and 4 fractional bits. First, we read the 2 8-bit registers and store them in a buffer. Then, we concatenate them into one unsigned 16-bit integer starting with the OUT_T_MSB register, thus making sure that the last bit of this register is aligned with the MSB in our 16 bit unsigned integer so it is correctly interpreted as the signed bit when we later cast this to a signed 16-bit integer. Finally, the entire number is converted to a float implicitly when we multiply it by $1/2^8$ to shift it 8 bits to the right of the decimal point. Though only the last 4 bits of the OUT_T_LSB register hold data, this does not matter as the remaining 4

are held at zero and "disappear" when we shift the decimal point left by 8. Similar logic is applied to the altitude calculation.

TIP

Choosing the right sensor for your project among so many choices can be hard! There are multiple factors you may have to consider in addition to any constraints imposed on you. Cost, operating temperature, sensor resolution, power consumption, ease of use, communication protocols and supply voltage are all but a few factors that can play a role in sensor choice. For most hobbyist purposes though, the majority of sensors out there will do just fine!

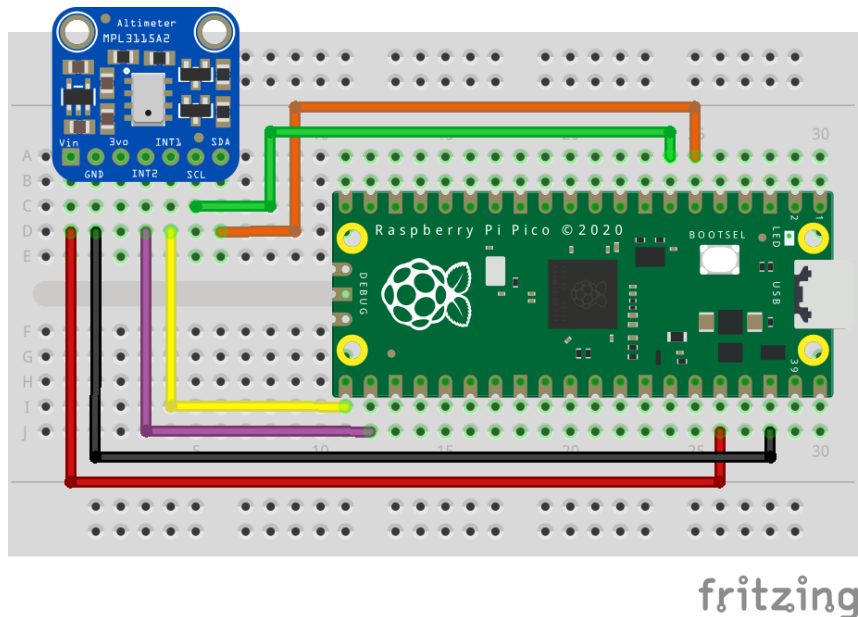
Wiring information

Wiring up the device requires 5 jumpers, to connect VCC (3.3v), GND, INT1, SDA and SCL. The example here uses I2C port 0, which is assigned to GPIO 4 (SDA) and GPIO 5 (SCL) by default. Power is supplied from the 3.3V pin.

NOTE

The MPL3115A2 has a 1.6-3.6V voltage supply range. This means it can work with the Pico's 3.3v pins out of the box but our Adafruit breakout has an onboard voltage regulator for good measure. This may not always be true of other sensors, though.

Figure 23. Wiring Diagram for MPL3115A2 altimeter.



List of Files

CMakeLists.txt

CMake file to incorporate the example in to the examples build tree.

Pico Examples: https://github.com/raspberrypi/pico-examples/blob/master/i2c/mp13115a2_i2c/CMakeLists.txt

```
1 add_executable(mp13115a2_i2c
2     mp13115a2_i2c.c
3 )
4
5 # pull in common dependencies and additional i2c hardware support
6 target_link_libraries(mp13115a2_i2c pico_stdlib hardware_i2c)
7
```

```

8 # create map/bin/hex file etc.
9 pico_add_extra_outputs(mpl3115a2_i2c)
10
11 # add url via pico_set_program_url
12 example_auto_set_url(mpl3115a2_i2c)

```

mpl3115a2_i2c.c

The example code.

Pico Examples: https://github.com/raspberrypi/pico-examples/blob/master/i2c/mpl3115a2_i2c/mpl3115a2_i2c.c

```

1 /**
2  * Copyright (c) 2021 Raspberry Pi (Trading) Ltd.
3  *
4  * SPDX-License-Identifier: BSD-3-Clause
5  */
6
7 #include <stdio.h>
8 #include "pico/stdlib.h"
9 #include "pico/binary_info.h"
10 #include "hardware/gpio.h"
11 #include "hardware/i2c.h"
12
13 /* Example code to talk to an MPL3115A2 altimeter sensor via I2C
14
15 See accompanying documentation in README.adoc or the C++ SDK booklet.
16
17 Connections on Raspberry Pi Pico board, other boards may vary.
18
19 GPIO PICO_DEFAULT_I2C_SDA_PIN (On Pico this is 4 (pin 6)) -> SDA on MPL3115A2 board
20 GPIO PICO_DEFAULT_I2C_SCK_PIN (On Pico this is 5 (pin 7)) -> SCL on MPL3115A2 board
21 GPIO 16 -> INT1 on MPL3115A2 board
22 3.3v (pin 36) -> VCC on MPL3115A2 board
23 GND (pin 38) -> GND on MPL3115A2 board
24 */
25
26 // 7-bit address
27 #define ADDR 0x60
28 #define INT1_PIN _u(16)
29
30 // following definitions only valid for F_MODE > 0 (ie. if FIFO enabled)
31 #define MPL3115A2_F_DATA _u(0x01)
32 #define MPL3115A2_F_STATUS _u(0x00)
33 #define MPL3115A2_F_SETUP _u(0x0F)
34 #define MPL3115A2_INT_SOURCE _u(0x12)
35 #define MPL3115A2_CTRLREG1 _u(0x26)
36 #define MPL3115A2_CTRLREG2 _u(0x27)
37 #define MPL3115A2_CTRLREG3 _u(0x28)
38 #define MPL3115A2_CTRLREG4 _u(0x29)
39 #define MPL3115A2_CTRLREG5 _u(0x2A)
40 #define MPL3115A2_PT_DATA_CFG _u(0x13)
41 #define MPL3115A2_OFF_P _u(0x2B)
42 #define MPL3115A2_OFF_T _u(0x2C)
43 #define MPL3115A2_OFF_H _u(0x2D)
44
45 #define MPL3115A2_FIFO_DISABLED _u(0x00)
46 #define MPL3115A2_FIFO_STOP_ON_OVERFLOW _u(0x80)
47 #define MPL3115A2_FIFO_SIZE 32
48 #define MPL3115A2_DATA_BATCH_SIZE 5
49 #define MPL3115A2_ALTITUDE_NUM_REGS 3
50 #define MPL3115A2_ALTITUDE_INT_SIZE 20
51 #define MPL3115A2_TEMPERATURE_INT_SIZE 12

```



```

52 #define MPL3115A2_NUM_FRAC_BITS 4
53
54 #define PARAM_ASSERTIONS_ENABLE_I2C 1
55
56 volatile uint8_t fifo_data[MPL3115A2_FIFO_SIZE * MPL3115A2_DATA_BATCH_SIZE];
57 volatile bool has_new_data = false;
58
59 struct mpl3115a2_data_t {
60     // Q8.4 fixed point
61     float temperature;
62     // Q16.4 fixed-point
63     float altitude;
64 };
65
66 void copy_to_vbuf(uint8_t buf1[], volatile uint8_t buf2[], int buflen) {
67     for (size_t i = 0; i < buflen; i++) {
68         buf2[i] = buf1[i];
69     }
70 }
71
72 #ifndef i2c_default
73
74 void mpl3115a2_read_fifo(volatile uint8_t fifo_buf[]) {
75     // drains the 160 byte FIFO
76     uint8_t reg = MPL3115A2_F_DATA;
77     uint8_t buf[MPL3115A2_FIFO_SIZE * MPL3115A2_DATA_BATCH_SIZE];
78     i2c_write_blocking(i2c_default, ADDR, &reg, 1, true);
79     // burst read 160 bytes from fifo
80     i2c_read_blocking(i2c_default, ADDR, buf, MPL3115A2_FIFO_SIZE *
MPL3115A2_DATA_BATCH_SIZE, false);
81     copy_to_vbuf(buf, fifo_buf, MPL3115A2_FIFO_SIZE * MPL3115A2_DATA_BATCH_SIZE);
82 }
83
84 uint8_t mpl3115a2_read_reg(uint8_t reg) {
85     uint8_t read;
86     i2c_write_blocking(i2c_default, ADDR, &reg, 1, true); // keep control of bus
87     i2c_read_blocking(i2c_default, ADDR, &read, 1, false);
88     return read;
89 }
90
91 void mpl3115a2_init() {
92     // set as altimeter with oversampling ratio of 128
93     uint8_t buf[] = {MPL3115A2_CTRLREG1, 0xB8};
94     i2c_write_blocking(i2c_default, ADDR, buf, 2, false);
95
96     // set data refresh every 2 seconds, 0 next bits as we're not using those interrupts
97     buf[0] = MPL3115A2_CTRLREG2, buf[1] = 0x00;
98     i2c_write_blocking(i2c_default, ADDR, buf, 2, false);
99
100    // set both interrupts pins to active low and enable internal pullups
101    buf[0] = MPL3115A2_CTRLREG3, buf[1] = 0x01;
102    i2c_write_blocking(i2c_default, ADDR, buf, 2, false);
103
104    // enable FIFO interrupt
105    buf[0] = MPL3115A2_CTRLREG4, buf[1] = 0x40;
106    i2c_write_blocking(i2c_default, ADDR, buf, 2, false);
107
108    // tie FIFO interrupt to pin INT1
109    buf[0] = MPL3115A2_CTRLREG5, buf[1] = 0x40;
110    i2c_write_blocking(i2c_default, ADDR, buf, 2, false);
111
112    // set p, t and h offsets here if needed
113    // eg. 2's complement number: 0xFF subtracts 1 meter
114    //buf[0] = MPL3115A2_OFF_H, buf[1] = 0xFF;

```

```

115 //i2c_write_blocking(i2c_default, ADDR, buf, 2, false);
116
117 // do not accept more data on FIFO overflow
118 buf[0] = MPL3115A2_F_SETUP, buf[1] = MPL3115A2_FIFO_STOP_ON_OVERFLOW;
119 i2c_write_blocking(i2c_default, ADDR, buf, 2, false);
120
121 // set device active
122 buf[0] = MPL3115A2_CTRLREG1, buf[1] = 0xB9;
123 i2c_write_blocking(i2c_default, ADDR, buf, 2, false);
124 }
125
126 void gpio_callback(uint gpio, uint32_t events) {
127 // if we had enabled more than 2 interrupts on same pin, then we should read
128 // INT_SOURCE reg to find out which interrupt triggered
129
130 // we can filter by which GPIO was triggered
131 if (gpio == INT1_PIN) {
132 // FIFO overflow interrupt
133 // watermark bits set to 0 in F_SETUP reg, so only possible event is an overflow
134 // otherwise, we would read F_STATUS to confirm it was an overflow
135 printf("FIFO overflow!\n");
136 // drain the fifo
137 mpl3115a2_read_fifo(fifo_data);
138 // read status register to clear interrupt bit
139 mpl3115a2_read_reg(MPL3115A2_F_STATUS);
140 has_new_data = true;
141 }
142 }
143
144 #endif
145
146 void mpl3115a2_convert_fifo_batch(uint8_t start, volatile uint8_t buf[], struct
mpl3115a2_data_t *data) {
147 // convert a batch of fifo data into temperature and altitude data
148
149 // 3 altitude registers: MSB (8 bits), CSB (8 bits) and LSB (4 bits, starting from MSB)
150 // first two are integer bits (2's complement) and LSB is fractional bits -> makes 20 bit
signed integer
151 int32_t h = (int32_t) buf[start] << 24;
152 h |= (int32_t) buf[start + 1] << 16;
153 h |= (int32_t) buf[start + 2] << 8;
154 data->altitude = ((float)h) / 65536.f;
155
156 // 2 temperature registers: MSB (8 bits) and LSB (4 bits, starting from MSB)
157 // first 8 are integer bits with sign and LSB is fractional bits -> 12 bit signed integer
158 int16_t t = (int16_t) buf[start + 3] << 8;
159 t |= (int16_t) buf[start + 4];
160 data->temperature = ((float)t) / 256.f;
161 }
162
163 int main() {
164 stdio_init_all();
165 #if !defined(i2c_default) || !defined(PICO_DEFAULT_I2C_SDA_PIN) ||
!defined(PICO_DEFAULT_I2C_SCL_PIN)
166 #warning i2c / mpl3115a2_i2c example requires a board with I2C pins
167 puts("Default I2C pins were not defined");
168 return 0;
169 #else
170 printf("Hello, MPL3115A2. Waiting for something to interrupt me!...\n");
171
172 // use default I2C0 at 400kHz, I2C is active low
173 i2c_init(i2c_default, 400 * 1000);
174 gpio_set_function(PICO_DEFAULT_I2C_SDA_PIN, GPIO_FUNC_I2C);
175 gpio_set_function(PICO_DEFAULT_I2C_SCL_PIN, GPIO_FUNC_I2C);

```

```

176     gpio_pull_up(PICO_DEFAULT_I2C_SDA_PIN);
177     gpio_pull_up(PICO_DEFAULT_I2C_SCL_PIN);
178
179     gpio_init(INT1_PIN);
180     gpio_pull_up(INT1_PIN); // pull it up even more!
181
182     // add program information for picotool
183     bi_decl(bi_program_name("Example in the pico-examples library for the MPL3115A2
    altimeter"));
184     bi_decl(bi_1pin_with_name(16, "Interrupt pin 1"));
185     bi_decl(bi_2pins_with_func(PICO_DEFAULT_I2C_SDA_PIN, PICO_DEFAULT_I2C_SCL_PIN,
    GPIO_FUNC_I2C));
186
187     mpl3115a2_init();
188
189     gpio_set_irq_enabled_with_callback(INT1_PIN, GPIO_IRQ_LEVEL_LOW, true, &gpio_callback);
190
191     while (1) {
192         // as interrupt data comes in, let's print the 32 sample average
193         if (has_new_data) {
194             float tsum = 0, hsum = 0;
195             struct mpl3115a2_data_t data;
196             for (int i = 0; i < MPL3115A2_FIFO_SIZE; i++) {
197                 mpl3115a2_convert_fifo_batch(i * MPL3115A2_DATA_BATCH_SIZE, fifo_data, &
    data);
198                 tsum += data.temperature;
199                 hsum += data.altitude;
200             }
201             printf("%d sample average -> t: %.4f C, h: %.4f m\n", MPL3115A2_FIFO_SIZE, tsum
    / MPL3115A2_FIFO_SIZE,
202                 hsum / MPL3115A2_FIFO_SIZE);
203             has_new_data = false;
204         }
205         sleep_ms(10);
206     };
207
208 #endif
209 }

```

Bill of Materials

Table 21. A list of materials required for the example

Item	Quantity	Details
Breadboard	1	generic part
Raspberry Pi Pico	1	https://www.raspberrypi.com/products/raspberry-pi-pico/
MPL3115A2 altimeter	1	Adafruit
M/M Jumper wires	5	generic part

Attaching an OLED display via I2C

This example code shows how to interface the Raspberry Pi Pico with an 128x32 OLED display board based on the SSD1306 display driver, datasheet [here](#).

The code displays a series of small demo graphics; tiny raspberries that scroll horizontally, some text, and some line

drawing, in the process showing you how to initialize the display, write to the entire display, write to only a portion of the display, configure scrolling, invert the display etc.

The SSD1306 is operated via a list of versatile commands (see datasheet) that allows the user to access all the capabilities of the driver. After sending a slave address, the data that follows can be either a command, flags to follow up a command or data to be written directly into the display's RAM. A control byte is required for each write after the slave address so that the driver knows what type of data is being sent.

The example code supports displays of 32 pixel or 64 pixels high by 128 pixels wide by changing a define at the top of the code.

In the 32 vertical pixels case, the display is partitioned into 4 pages, each 8 pixels in height. In RAM, this looks roughly like:

	COL0	COL1	COL2	COL3	...	COL126	COL127
PAGE 0							
PAGE 1							
PAGE 2							
PAGE 3							

Within each page, we have:

	COL0	COL1	COL2	COL3	...	COL126	COL127
COM 0							
COM 1							
:							
COM 7							

i NOTE

There is a difference between columns in RAM and the actual segment pads that connect the driver to the display. The RAM addresses COL0 - COL127 are mapped to these segment pins SEG0 - SEG127 by default. The distinction between these two is important as we can for example, easily mirror contents of RAM without rewriting a buffer.

The driver has 3 modes of transferring the pixels in RAM to the display (provided that the driver is set to use its RAM content to drive the display, ie. command 0xA4 is sent). We choose horizontal addressing mode which, after setting the column address and page address registers to our desired start positions, will increment the column address register until the OLED display width is reached (127 in our case) after which the column address register will reset to its starting value and the page address is incremented. Once the page register reaches the end, it will wrap around as well. Effectively, this scans across the display from top to bottom, left to right in blocks that are 8 pixels high. When a byte is sent to be written into RAM, it sets all the rows for the current position of the column address register. So, if we send 10101010, and we are on PAGE 0 and COL1, COM0 is set to 1, COM1 is set to 0, COM2 is set to 1, and so on. Effectively, the byte is "transposed" to fill a single page's column. The datasheet has further information on this and the two other modes.

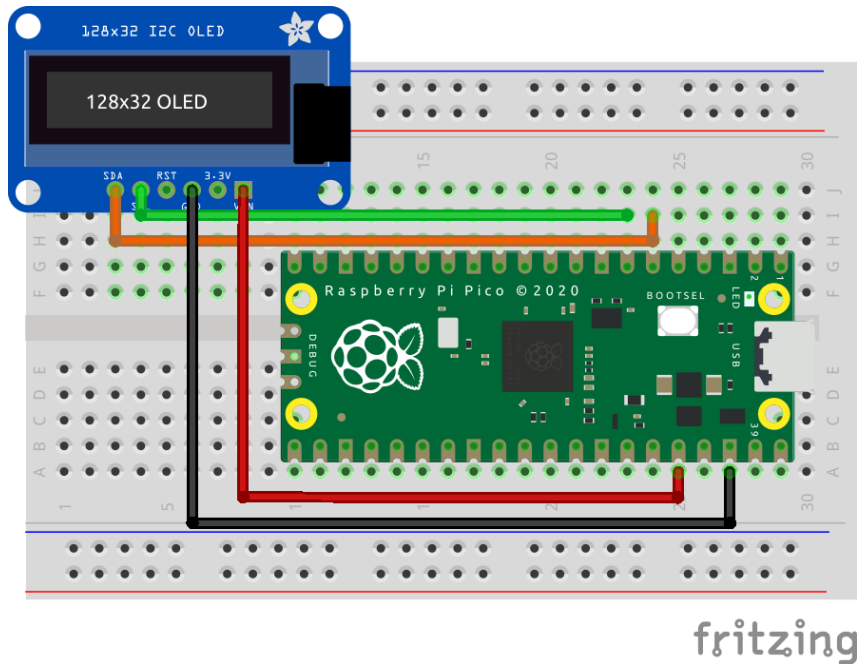
Horizontal addressing mode has the key advantage that we can keep one single 512 byte buffer (128 columns x 4 pages and each byte fills a page's rows) and write this in one go to the RAM (column address auto increments on writes as well as reads) instead of working with 2D matrices of pixels and adding more overhead.

Wiring information

Wiring up the device requires 4 jumpers, to connect VCC (3.3v), GND, SDA and SCL and optionally a 5th jumper for the driver RESET pin. The example here uses the default I2C port 0, which is assigned to GPIO 4 (SDA) and 5 (SCL) in

software. Power is supplied from the 3.3V pin from the Pico.

Figure 24. Wiring Diagram for oled display via I2C.



List of Files

CMakeLists.txt

CMake file to incorporate the example into the examples build tree.

Pico Examples: https://github.com/raspberrypi/pico-examples/blob/master/i2c/ssd1306_i2c/CMakeLists.txt

```

1 add_executable(ssd1306_i2c
2     ssd1306_i2c.c
3 )
4
5 # pull in common dependencies and additional i2c hardware support
6 target_link_libraries(ssd1306_i2c pico_stdlib hardware_i2c)
7
8 # create map/bin/hex file etc.
9 pico_add_extra_outputs(ssd1306_i2c)
10
11 # add url via pico_set_program_url
12 example_auto_set_url(ssd1306_i2c)

```

ssd1306_i2c.c

The example code.

Pico Examples: https://github.com/raspberrypi/pico-examples/blob/master/i2c/ssd1306_i2c/ssd1306_i2c.c

```

1 /**
2  * Copyright (c) 2021 Raspberry Pi (Trading) Ltd.
3  *
4  * SPDX-License-Identifier: BSD-3-Clause
5  */
6
7 #include <stdio.h>
8 #include <string.h>
9 #include <stdlib.h>

```

```

10 #include <ctype.h>
11 #include "pico/stdlib.h"
12 #include "pico/binary_info.h"
13 #include "hardware/i2c.h"
14 #include "raspberrypi26x32.h"
15 #include "ssd1306_font.h"
16
17 /* Example code to talk to an SSD1306-based OLED display
18
19 The SSD1306 is an OLED/PLED driver chip, capable of driving displays up to
20 128x64 pixels.
21
22 NOTE: Ensure the device is capable of being driven at 3.3v NOT 5v. The Pico
23 GPIO (and therefore I2C) cannot be used at 5v.
24
25 You will need to use a level shifter on the I2C lines if you want to run the
26 board at 5v.
27
28 Connections on Raspberry Pi Pico board, other boards may vary.
29
30 GPIO PICO_DEFAULT_I2C_SDA_PIN (on Pico this is GP4 (pin 6)) -> SDA on display
31 board
32 GPIO PICO_DEFAULT_I2C_SCL_PIN (on Pico this is GP5 (pin 7)) -> SCL on
33 display board
34 3.3v (pin 36) -> VCC on display board
35 GND (pin 38) -> GND on display board
36 */
37
38 // Define the size of the display we have attached. This can vary, make sure you
39 // have the right size defined or the output will look rather odd!
40 // Code has been tested on 128x32 and 128x64 OLED displays
41 #define SSD1306_HEIGHT      32
42 #define SSD1306_WIDTH      128
43
44 #define SSD1306_I2C_ADDR    _u(0x3C)
45
46 // 400 is usual, but often these can be overclocked to improve display response.
47 // Tested at 1000 on both 32 and 84 pixel height devices and it worked.
48 #define SSD1306_I2C_CLK    400
49 // #define SSD1306_I2C_CLK    1000
50
51
52 // commands (see datasheet)
53 #define SSD1306_SET_MEM_MODE    _u(0x20)
54 #define SSD1306_SET_COL_ADDR    _u(0x21)
55 #define SSD1306_SET_PAGE_ADDR    _u(0x22)
56 #define SSD1306_SET_HORIZ_SCROLL    _u(0x26)
57 #define SSD1306_SET_SCROLL    _u(0x2E)
58
59 #define SSD1306_SET_DISP_START_LINE    _u(0x40)
60
61 #define SSD1306_SET_CONTRAST    _u(0x81)
62 #define SSD1306_SET_CHARGE_PUMP    _u(0x8D)
63
64 #define SSD1306_SET_SEG_REMAP    _u(0xA0)
65 #define SSD1306_SET_ENTIRE_ON    _u(0xA4)
66 #define SSD1306_SET_ALL_ON    _u(0xA5)
67 #define SSD1306_SET_NORM_DISP    _u(0xA6)
68 #define SSD1306_SET_INV_DISP    _u(0xA7)
69 #define SSD1306_SET_MUX_RATIO    _u(0xA8)
70 #define SSD1306_SET_DISP    _u(0xAE)
71 #define SSD1306_SET_COM_OUT_DIR    _u(0xC0)
72 #define SSD1306_SET_COM_OUT_DIR_FLIP    _u(0xC0)
73

```

```

74 #define SSD1306_SET_DISP_OFFSET      _u(0xD3)
75 #define SSD1306_SET_DISP_CLK_DIV    _u(0xD5)
76 #define SSD1306_SET_PRECHARGE       _u(0xD9)
77 #define SSD1306_SET_COM_PIN_CFG     _u(0xDA)
78 #define SSD1306_SET_VCOM_DESEL      _u(0xDB)
79
80 #define SSD1306_PAGE_HEIGHT          _u(8)
81 #define SSD1306_NUM_PAGES            (SSD1306_HEIGHT / SSD1306_PAGE_HEIGHT)
82 #define SSD1306_BUF_LEN              (SSD1306_NUM_PAGES * SSD1306_WIDTH)
83
84 #define SSD1306_WRITE_MODE           _u(0xFE)
85 #define SSD1306_READ_MODE           _u(0xFF)
86
87
88 struct render_area {
89     uint8_t start_col;
90     uint8_t end_col;
91     uint8_t start_page;
92     uint8_t end_page;
93
94     int buflen;
95 };
96
97 void calc_render_area_buflen(struct render_area *area) {
98     // calculate how long the flattened buffer will be for a render area
99     area->buflen = (area->end_col - area->start_col + 1) * (area->end_page - area->start_page + 1);
100 }
101
102 #ifdef i2c_default
103
104 void SSD1306_send_cmd(uint8_t cmd) {
105     // I2C write process expects a control byte followed by data
106     // this "data" can be a command or data to follow up a command
107     // Co = 1, D/C = 0 => the driver expects a command
108     uint8_t buf[2] = {0x80, cmd};
109     i2c_write_blocking(i2c_default, SSD1306_I2C_ADDR, buf, 2, false);
110 }
111
112 void SSD1306_send_cmd_list(uint8_t *buf, int num) {
113     for (int i=0; i<num; i++)
114         SSD1306_send_cmd(buf[i]);
115 }
116
117 void SSD1306_send_buf(uint8_t buf[], int buflen) {
118     // in horizontal addressing mode, the column address pointer auto-increments
119     // and then wraps around to the next page, so we can send the entire frame
120     // buffer in one goooooo!
121
122     // copy our frame buffer into a new buffer because we need to add the control byte
123     // to the beginning
124
125     uint8_t *temp_buf = malloc(buflen + 1);
126
127     temp_buf[0] = 0x40;
128     memcpy(temp_buf+1, buf, buflen);
129
130     i2c_write_blocking(i2c_default, SSD1306_I2C_ADDR, temp_buf, buflen + 1, false);
131
132     free(temp_buf);
133 }
134
135 void SSD1306_init() {
136     // Some of these commands are not strictly necessary as the reset

```

```

137 // process defaults to some of these but they are shown here
138 // to demonstrate what the initialization sequence looks like
139 // Some configuration values are recommended by the board manufacturer
140
141 uint8_t cmds[] = {
142     SSD1306_SET_DISP,           // set display off
143     /* memory mapping */
144     SSD1306_SET_MEM_MODE,      // set memory address mode 0 = horizontal, 1 =
vertical, 2 = page
145     0x00,                       // horizontal addressing mode
146     /* resolution and layout */
147     SSD1306_SET_DISP_START_LINE, // set display start line to 0
148     SSD1306_SET_SEG_REMAP | 0x01, // set segment re-map, column address 127 is mapped
to SEG0
149     SSD1306_SET_MUX_RATIO,      // set multiplex ratio
150     SSD1306_HEIGHT - 1,        // Display height - 1
151     SSD1306_SET_COM_OUT_DIR | 0x08, // set COM (common) output scan direction. Scan from
bottom up, COM[N-1] to COM0
152     SSD1306_SET_DISP_OFFSET,    // set display offset
153     0x00,                       // no offset
154     SSD1306_SET_COM_PIN_CFG,    // set COM (common) pins hardware configuration.
Board specific magic number.
155                                     // 0x02 Works for 128x32, 0x12 Possibly works for
128x64. Other options 0x22, 0x32
156 #if ((SSD1306_WIDTH == 128) && (SSD1306_HEIGHT == 32))
157     0x02,
158 #elif ((SSD1306_WIDTH == 128) && (SSD1306_HEIGHT == 64))
159     0x12,
160 #else
161     0x02,
162 #endif
163     /* timing and driving scheme */
164     SSD1306_SET_DISP_CLK_DIV,    // set display clock divide ratio
165     0x80,                       // div ratio of 1, standard freq
166     SSD1306_SET_PRECHARGE,      // set pre-charge period
167     0xF1,                       // Vcc internally generated on our board
168     SSD1306_SET_VCOM_DESEL,     // set VCOMH deselect level
169     0x30,                       // 0.83xVcc
170     /* display */
171     SSD1306_SET_CONTRAST,       // set contrast control
172     0xFF,
173     SSD1306_SET_ENTIRE_ON,      // set entire display on to follow RAM content
174     SSD1306_SET_NORM_DISP,      // set normal (not inverted) display
175     SSD1306_SET_CHARGE_PUMP,    // set charge pump
176     0x14,                       // Vcc internally generated on our board
177     SSD1306_SET_SCROLL | 0x00,  // deactivate horizontal scrolling if set. This is
necessary as memory writes will corrupt if scrolling was enabled
178     SSD1306_SET_DISP | 0x01, // turn display on
179 };
180
181 SSD1306_send_cmd_list(cmds, count_of(cmds));
182 }
183
184 void SSD1306_scroll(bool on) {
185     // configure horizontal scrolling
186     uint8_t cmds[] = {
187         SSD1306_SET_HORIZ_SCROLL | 0x00,
188         0x00, // dummy byte
189         0x00, // start page 0
190         0x00, // time interval
191         0x03, // end page 3 SSD1306_NUM_PAGES ??
192         0x00, // dummy byte
193         0xFF, // dummy byte
194         SSD1306_SET_SCROLL | (on ? 0x01 : 0) // Start/stop scrolling

```



```

195     };
196
197     SSD1306_send_cmd_list(cmds, count_of(cmds));
198 }
199
200 void render(uint8_t *buf, struct render_area *area) {
201     // update a portion of the display with a render area
202     uint8_t cmds[] = {
203         SSD1306_SET_COL_ADDR,
204         area->start_col,
205         area->end_col,
206         SSD1306_SET_PAGE_ADDR,
207         area->start_page,
208         area->end_page
209     };
210
211     SSD1306_send_cmd_list(cmds, count_of(cmds));
212     SSD1306_send_buf(buf, area->buflen);
213 }
214
215 static void SetPixel(uint8_t *buf, int x, int y, bool on) {
216     assert(x >= 0 && x < SSD1306_WIDTH && y >= 0 && y < SSD1306_HEIGHT);
217
218     // The calculation to determine the correct bit to set depends on which address
219     // mode we are in. This code assumes horizontal
220
221     // The video ram on the SSD1306 is split up in to 8 rows, one bit per pixel.
222     // Each row is 128 long by 8 pixels high, each byte vertically arranged, so byte 0 is x=0,
223     // y=0->7,
224     // byte 1 is x = 1, y=0->7 etc
225
226     // This code could be optimised, but is like this for clarity. The compiler
227     // should do a half decent job optimising it anyway.
228
229     const int BytesPerRow = SSD1306_WIDTH ; // x pixels, 1bpp, but each row is 8 pixel high,
230     // so (x / 8) * 8
231
232     int byte_idx = (y / 8) * BytesPerRow + x;
233     uint8_t byte = buf[byte_idx];
234
235     if (on)
236         byte |= 1 << (y % 8);
237     else
238         byte &= ~(1 << (y % 8));
239
240     buf[byte_idx] = byte;
241 }
242 // Basic Bresenham's.
243 static void DrawLine(uint8_t *buf, int x0, int y0, int x1, int y1, bool on) {
244
245     int dx = abs(x1-x0);
246     int sx = x0<x1 ? 1 : -1;
247     int dy = -abs(y1-y0);
248     int sy = y0<y1 ? 1 : -1;
249     int err = dx+dy;
250     int e2;
251
252     while (true) {
253         SetPixel(buf, x0, y0, on);
254         if (x0 == x1 && y0 == y1)
255             break;
256         e2 = 2*err;
257         if (e2 >= dy) {

```

```

257         err += dy;
258         x0 += sx;
259     }
260     if (e2 <= dx) {
261         err += dx;
262         y0 += sy;
263     }
264 }
265 }
266
267 static inline int GetFontIndex(uint8_t ch) {
268     if (ch >= 'A' && ch <='Z') {
269         return ch - 'A' + 1;
270     }
271     else if (ch >= '0' && ch <='9') {
272         return ch - '0' + 27;
273     }
274     else return 0; // Not got that char so space.
275 }
276
277 static uint8_t reversed[sizeof(font)] = {0};
278
279 static uint8_t reverse(uint8_t b) {
280     b = (b & 0xF0) >> 4 | (b & 0x0F) << 4;
281     b = (b & 0xCC) >> 2 | (b & 0x33) << 2;
282     b = (b & 0xAA) >> 1 | (b & 0x55) << 1;
283     return b;
284 }
285 static void FillReversedCache() {
286     // calculate and cache a reversed version of the font, because I defined it upside
287     // down...doh!
288     for (int i=0;i<sizeof(font);i++)
289         reversed[i] = reverse(font[i]);
290 }
291 static void WriteChar(uint8_t *buf, int16_t x, int16_t y, uint8_t ch) {
292     if (reversed[0] == 0)
293         FillReversedCache();
294
295     if (x > SSD1306_WIDTH - 8 || y > SSD1306_HEIGHT - 8)
296         return;
297
298     // For the moment, only write on Y row boundaries (every 8 vertical pixels)
299     y = y/8;
300
301     ch = toupper(ch);
302     int idx = GetFontIndex(ch);
303     int fb_idx = y * 128 + x;
304
305     for (int i=0;i<8;i++) {
306         buf[fb_idx++] = reversed[idx * 8 + i];
307     }
308 }
309
310 static void WriteString(uint8_t *buf, int16_t x, int16_t y, char *str) {
311     // Cull out any string off the screen
312     if (x > SSD1306_WIDTH - 8 || y > SSD1306_HEIGHT - 8)
313         return;
314
315     while (*str) {
316         WriteChar(buf, x, y, *str++);
317         x+=8;
318     }
319 }

```

```

320
321
322
323 #endif
324
325 int main() {
326     stdio_init_all();
327
328 #if !defined(i2c_default) || !defined(PICO_DEFAULT_I2C_SDA_PIN) ||
    !defined(PICO_DEFAULT_I2C_SCL_PIN)
329 #warning i2c / SSD1306_i2d example requires a board with I2C pins
330     puts("Default I2C pins were not defined");
331 #else
332     // useful information for picotool
333     bi_decl(bi_2pins_with_func(PICO_DEFAULT_I2C_SDA_PIN, PICO_DEFAULT_I2C_SCL_PIN,
        GPIO_FUNC_I2C));
334     bi_decl(bi_program_description("SSD1306 OLED driver I2C example for the Raspberry Pi
        Pico"));
335
336     printf("Hello, SSD1306 OLED display! Look at my raspberries..\n");
337
338     // I2C is "open drain", pull ups to keep signal high when no data is being
339     // sent
340     i2c_init(i2c_default, SSD1306_I2C_CLK * 1000);
341     gpio_set_function(PICO_DEFAULT_I2C_SDA_PIN, GPIO_FUNC_I2C);
342     gpio_set_function(PICO_DEFAULT_I2C_SCL_PIN, GPIO_FUNC_I2C);
343     gpio_pull_up(PICO_DEFAULT_I2C_SDA_PIN);
344     gpio_pull_up(PICO_DEFAULT_I2C_SCL_PIN);
345
346     // run through the complete initialization process
347     SSD1306_init();
348
349     // Initialize render area for entire frame (SSD1306_WIDTH pixels by SSD1306_NUM_PAGES
        pages)
350     struct render_area frame_area = {
351         start_col: 0,
352         end_col : SSD1306_WIDTH - 1,
353         start_page : 0,
354         end_page : SSD1306_NUM_PAGES - 1
355     };
356
357     calc_render_area_buflen(&frame_area);
358
359     // zero the entire display
360     uint8_t buf[SSD1306_BUF_LEN];
361     memset(buf, 0, SSD1306_BUF_LEN);
362     render(buf, &frame_area);
363
364     // intro sequence: flash the screen 3 times
365     for (int i = 0; i < 3; i++) {
366         SSD1306_send_cmd(SSD1306_SET_ALL_ON); // Set all pixels on
367         sleep_ms(500);
368         SSD1306_send_cmd(SSD1306_SET_ENTIRE_ON); // go back to following RAM for pixel state
369         sleep_ms(500);
370     }
371
372     // render 3 cute little raspberries
373     struct render_area area = {
374         start_page : 0,
375         end_page : (IMG_HEIGHT / SSD1306_PAGE_HEIGHT) - 1
376     };
377
378 restart:
379

```

```

380     area.start_col = 0;
381     area.end_col = IMG_WIDTH - 1;
382
383     calc_render_area_buflen(&area);
384
385     uint8_t offset = 5 + IMG_WIDTH; // 5px padding
386
387     for (int i = 0; i < 3; i++) {
388         render(raspberry26x32, &area);
389         area.start_col += offset;
390         area.end_col += offset;
391     }
392
393     SSD1306_scroll(true);
394     sleep_ms(5000);
395     SSD1306_scroll(false);
396
397     char *text[] = {
398         "A long time ago",
399         "  on an OLED ",
400         "  display",
401         "  far far away",
402         "Lived a small",
403         "red raspberry",
404         "by the name of",
405         "  PICO"
406     };
407
408     int y = 0;
409     for (int i = 0 ;i < count_of(text); i++) {
410         WriteString(buf, 5, y, text[i]);
411         y+=8;
412     }
413     render(buf, &frame_area);
414
415     // Test the display invert function
416     sleep_ms(3000);
417     SSD1306_send_cmd(SSD1306_SET_INV_DISP);
418     sleep_ms(3000);
419     SSD1306_send_cmd(SSD1306_SET_NORM_DISP);
420
421     bool pix = true;
422     for (int i = 0; i < 2;i++) {
423         for (int x = 0;x < SSD1306_WIDTH;x++) {
424             DrawLine(buf, x, 0, SSD1306_WIDTH - 1 - x, SSD1306_HEIGHT - 1, pix);
425             render(buf, &frame_area);
426         }
427
428         for (int y = SSD1306_HEIGHT-1; y >= 0 ;y--) {
429             DrawLine(buf, 0, y, SSD1306_WIDTH - 1, SSD1306_HEIGHT - 1 - y, pix);
430             render(buf, &frame_area);
431         }
432         pix = false;
433     }
434
435     goto restart;
436
437 #endif
438     return 0;
439 }

```

ssd1306_font.h

A simple font used in the example.

Pico Examples: https://github.com/raspberrypi/pico-examples/blob/master/i2c/ssd1306_i2c/ssd1306_font.h

```

1 /**
2  * Copyright (c) 2022 Raspberry Pi (Trading) Ltd.
3  *
4  * SPDX-License-Identifier: BSD-3-Clause
5  */
6
7 // Vertical bitmaps, A-Z, 0-9. Each is 8 pixels high and wide
8 // These are defined vertically to make them quick to copy to FB
9
10 static uint8_t font[] = {
11 0x00, 0x00, 0x00, 0x00, 0x00, 0x00, 0x00, 0x00, // Nothing
12 0x1e, 0x28, 0x48, 0x88, 0x48, 0x28, 0x1e, 0x00, //A
13 0xfe, 0x92, 0x92, 0x92, 0x92, 0x92, 0xfe, 0x00, //B
14 0x7e, 0x82, 0x82, 0x82, 0x82, 0x82, 0x82, 0x00, //C
15 0xfe, 0x82, 0x82, 0x82, 0x82, 0x82, 0x7e, 0x00, //D
16 0xfe, 0x92, 0x92, 0x92, 0x92, 0x92, 0x92, 0x00, //E
17 0xfe, 0x90, 0x90, 0x90, 0x90, 0x80, 0x80, 0x00, //F
18 0xfe, 0x82, 0x82, 0x82, 0x8a, 0x8a, 0xce, 0x00, //G
19 0xfe, 0x10, 0x10, 0x10, 0x10, 0x10, 0xfe, 0x00, //H
20 0x00, 0x00, 0x00, 0xfe, 0x00, 0x00, 0x00, 0x00, //I
21 0x84, 0x82, 0x82, 0xfc, 0x80, 0x80, 0x80, 0x00, //J
22 0x00, 0xfe, 0x10, 0x10, 0x28, 0x44, 0x82, 0x00, //K
23 0xfe, 0x02, 0x02, 0x02, 0x02, 0x02, 0x02, 0x00, //L
24 0xfe, 0x40, 0x20, 0x10, 0x20, 0x40, 0xfe, 0x00, //M
25 0xfe, 0x40, 0x20, 0x10, 0x08, 0x04, 0xfe, 0x00, //N
26 0x7c, 0x82, 0x82, 0x82, 0x82, 0x82, 0x7c, 0x00, //O
27 0xfe, 0x88, 0x88, 0x88, 0x88, 0x88, 0x70, 0x00, //P
28 0x7c, 0x82, 0x82, 0x92, 0x8a, 0x86, 0x7e, 0x00, //Q
29 0xfe, 0x88, 0x88, 0x88, 0x8c, 0x8a, 0x70, 0x00, //R
30 0x62, 0x92, 0x92, 0x92, 0x92, 0x92, 0x0c, 0x00, //S
31 0x80, 0x80, 0x80, 0xfe, 0x80, 0x80, 0x80, 0x00, //T
32 0xfc, 0x02, 0x02, 0x02, 0x02, 0x02, 0xfc, 0x00, //U
33 0xf0, 0x08, 0x04, 0x02, 0x04, 0x08, 0xf0, 0x00, //V
34 0xfe, 0x04, 0x08, 0x10, 0x08, 0x04, 0xfe, 0x00, //W
35 0x00, 0x82, 0x44, 0x28, 0x28, 0x44, 0x82, 0x00, //X
36 0x80, 0x40, 0x20, 0x1e, 0x20, 0x40, 0x80, 0x00, //Y
37 0x82, 0x86, 0x9a, 0xa2, 0xc2, 0x82, 0x00, 0x00, //Z
38 0x7c, 0x82, 0x82, 0x92, 0x82, 0x82, 0x7c, 0x00, //0
39 0x00, 0x00, 0x42, 0xfe, 0x02, 0x00, 0x00, 0x00, //1
40 0x0c, 0x92, 0x92, 0x92, 0x92, 0x62, 0x00, 0x00, //2
41 0x92, 0x92, 0x92, 0x92, 0x92, 0x92, 0x6c, 0x00, //3
42 0xfc, 0x04, 0x04, 0x1e, 0x04, 0x04, 0x00, 0x00, //4
43 0xf2, 0x92, 0x92, 0x92, 0x92, 0x0c, 0x00, 0x00, //5
44 0xfc, 0x12, 0x12, 0x12, 0x12, 0x12, 0x0c, 0x00, //6
45 0x80, 0x80, 0x80, 0x86, 0x8c, 0xb0, 0xc0, 0x00, //7
46 0x6c, 0x92, 0x92, 0x92, 0x92, 0x92, 0x6c, 0x00, //8
47 0x60, 0x90, 0x90, 0x90, 0x90, 0x90, 0xfe, 0x00, //9
48 };

```

img_to_array.py

A helper to convert an image file to an array that can be used in the example.

Pico Examples: https://github.com/raspberrypi/pico-examples/blob/master/i2c/ssd1306_i2c/img_to_array.py

```

1  #!/usr/bin/env python3
2
3  # Converts a grayscale image into a format able to be
4  # displayed by the SSD1306 driver in horizontal addressing mode
5
6  # usage: python3 img_to_array.py <logo.bmp>
7
8  # depends on the Pillow library
9  # `python3 -m pip install --upgrade Pillow`
10
11 from PIL import Image
12 import sys
13 from pathlib import Path
14
15 OLED_HEIGHT = 32
16 OLED_WIDTH = 128
17 OLED_PAGE_HEIGHT = 8
18
19 if len(sys.argv) < 2:
20     print("No image path provided.")
21     sys.exit()
22
23 img_path = sys.argv[1]
24
25 try:
26     im = Image.open(img_path)
27 except OSError:
28     raise Exception("Oops! The image could not be opened.")
29
30 img_width = im.size[0]
31 img_height = im.size[1]
32
33 if img_width > OLED_WIDTH or img_height > OLED_HEIGHT:
34     print(f'Your image is {img_width} pixels wide and {img_height} pixels high, but...')
35     raise Exception(f"OLED display only {OLED_WIDTH} pixels wide and {OLED_HEIGHT} pixels
36     high!")
37
38 if not (im.mode == "1" or im.mode == "L"):
39     raise Exception("Image must be grayscale only")
40
41 # black or white
42 out = im.convert("1")
43
44 img_name = Path(im.filename).stem
45
46 # `pixels` is a flattened array with the top left pixel at index 0
47 # and bottom right pixel at the width*height-1
48 pixels = list(out.getdata())
49
50 # swap white for black and swap (255, 0) for (1, 0)
51 pixels = [0 if x == 255 else 1 for x in pixels]
52
53 # our goal is to divide the image into 8-pixel high pages
54 # and turn a pixel column into one byte, eg for one page:
55 # 0 1 0 ....
56 # 1 0 0
57 # 1 1 1
58 # 0 0 1
59 # 1 1 0
60 # 0 1 0
61 # 1 1 1

```

```

61 # 0 0 1 ....
62
63 # we get 0x6A, 0xAE, 0x33 ... and so on
64 # as `pixels` is flattened, each bit in a column is IMG_WIDTH apart from the next
65
66 buffer = []
67 for i in range(img_height // OLED_PAGE_HEIGHT):
68     start_index = i*img_width*OLED_PAGE_HEIGHT
69     for j in range(img_width):
70         out_byte = 0
71         for k in range(OLED_PAGE_HEIGHT):
72             out_byte |= pixels[k*img_width + start_index + j] << k
73         buffer.append(f'{out_byte:#04x}')
74
75 buffer = ", ".join(buffer)
76 buffer_hex = f'static uint8_t {img_name}[] = {{{buffer}}}\n'
77
78 with open(f'{img_name}.h', 'wt') as file:
79     file.write(f'#define IMG_WIDTH {img_width}\n')
80     file.write(f'#define IMG_HEIGHT {img_height}\n\n')
81     file.write(buffer_hex)

```

raspberry26x32.bmp

Example image file of a Raspberry.

raspberry26x32.h

The example image file converted to an C array.

Pico Examples: https://github.com/raspberrypi/pico-examples/blob/master/i2c/ssd1306_i2c/raspberry26x32.h

```

1 #define IMG_WIDTH 26
2 #define IMG_HEIGHT 32
3
4 static uint8_t raspberry26x32[] = { 0x0, 0x0, 0xe, 0x7e, 0xfe, 0xff, 0xff, 0xff, 0xff, 0xff,
  0xfe, 0xfe, 0xfc, 0xf8, 0xfc, 0xfe, 0xfe, 0xff, 0xff, 0xff, 0xff, 0xfe, 0x7e, 0x1e, 0x0,
  0x0, 0x0, 0x80, 0xe0, 0xf8, 0xfd, 0xff, 0xff, 0xff, 0xff, 0xff, 0xff, 0xff, 0xff, 0xff,
  0xff, 0xff, 0xff, 0xff, 0xff, 0xfd, 0xf8, 0xe0, 0x80, 0x0, 0x0, 0x1e, 0x7f, 0xff, 0xff, 0xff,
  0xff, 0xff, 0xff, 0xff, 0xff, 0xff, 0xff, 0xff, 0xff, 0xff, 0xff, 0xff, 0xff, 0xff,
  0xff, 0xff, 0xff, 0x7f, 0x1e, 0x0, 0x0, 0x0, 0x3, 0x7, 0xf, 0x1f, 0x1f, 0x3f, 0x3f, 0x7f,
  0xff, 0xff, 0xff, 0xff, 0x7f, 0x7f, 0x3f, 0x3f, 0x1f, 0x1f, 0xf, 0x7, 0x3, 0x0, 0x0};

```

Bill of Materials

Table 22. A list of materials required for the example

Item	Quantity	Details
Breadboard	1	generic part
Raspberry Pi Pico	1	https://www.raspberrypi.com/products/raspberry-pi-pico/
SSD1306-based OLED display	1	Adafruit part
M/M Jumper wires	4	generic part

Attaching a PA1010D Mini GPS module via I2C

This example code shows how to interface the Raspberry Pi Pico to the PA1010D Mini GPS module

This allows you to read basic location and time data from the Recommended Minimum Specific GNSS Sentence (GNRMC protocol) and displays it in a user-friendly format. The datasheet for the module can be found on https://cdn-learn.adafruit.com/assets/assets/000/084/295/original/CD_PA1010D_Datasheet_v.03.pdf?1573833002. The output sentence is read and parsed to split the data fields into a 2D character array, which are then individually printed out. The commands to use different protocols and change settings are found on https://www.sparkfun.com/datasheets/GPS/Modules/PMTK_Protocol.pdf. Additional protocols can be used by editing the `init_command` array.

i NOTE

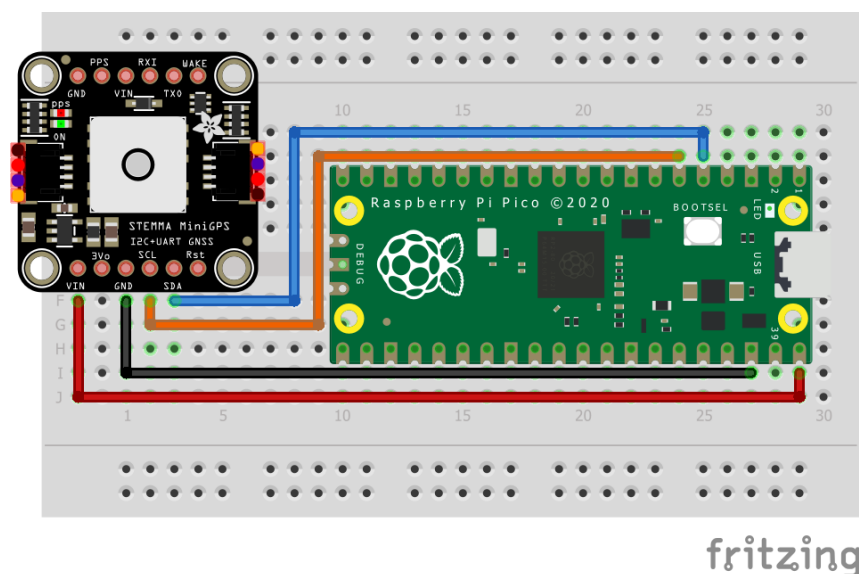
Each command requires a checksum after the asterisk. The checksum can be calculated for your command using the following website: <https://nmeachecksum.eqth.net/>.

The GPS needs to be used outdoors in open skies and requires about 15 seconds to acquire a satellite signal in order to display valid data. When the signal is detected, the device will blink a green LED at 1 Hz.

Wiring information

Wiring up the device requires 4 jumpers, to connect VDD, GND, SDA and SCL. The example here uses I2C port 0, which is assigned to GPIO 4 (SDA) and 5 (SCL) in software. Power is supplied from the 3V pin.

Figure 25. Wiring Diagram for PA1010D.



List of Files

CMakeLists.txt

CMake file to incorporate the example in to the examples build tree.

Pico Examples: https://github.com/raspberrypi/pico-examples/blob/master/i2c/pa1010d_i2c/CMakeLists.txt

```
1 add_executable(pa1010d_i2c
2     pa1010d_i2c.c
3 )
4
5 # pull in common dependencies and additional i2c hardware support
6 target_link_libraries(pa1010d_i2c pico_stdlib hardware_i2c)
```



```

7
8 # create map/bin/hex file etc.
9 pico_add_extra_outputs(pa1010d_i2c)
10
11 # add url via pico_set_program_url
12 example_auto_set_url(pa1010d_i2c)

```

pa1010d_i2c.c

The example code.

Pico Examples: https://github.com/raspberrypi/pico-examples/blob/master/i2c/pa1010d_i2c/pa1010d_i2c.c

```

1 /**
2  * Copyright (c) 2020 Raspberry Pi (Trading) Ltd.
3  *
4  * SPDX-License-Identifier: BSD-3-Clause
5  */
6
7 #include <stdio.h>
8 #include <string.h>
9 #include "pico/stdlib.h"
10 #include "pico/binary_info.h"
11 #include "hardware/i2c.h"
12 #include "string.h"
13
14 /* Example code to talk to a PA1010D Mini GPS module.
15
16 This example reads the Recommended Minimum Specific GNSS Sentence, which includes basic
17 location and time data, each second, formats and displays it.
18
19 Connections on Raspberry Pi Pico board, other boards may vary.
20
21 GPIO PICO_DEFAULT_I2C_SDA_PIN (On Pico this is 4 (physical pin 6)) -> SDA on PA1010D board
22 3.3v (physical pin 36) -> VCC on PA1010D board
23 GND (physical pin 38) -> GND on PA1010D board
24 */
25
26 const int addr = 0x10;
27 #define MAX_READ 250
28
29 #ifdef i2c_default
30
31 void pa1010d_write_command(const char command[], int com_length) {
32     // Convert character array to bytes for writing
33     uint8_t int_command[com_length];
34
35     for (int i = 0; i < com_length; ++i) {
36         int_command[i] = command[i];
37         i2c_write_blocking(i2c_default, addr, &int_command[i], 1, true);
38     }
39 }
40
41 void pa1010d_parse_string(char output[], char protocol[]) {
42     // Finds location of protocol message in output
43     char *com_index = strstr(output, protocol);
44     int p = com_index - output;
45
46     // Splits components of output sentence into array
47 #define NO_OF_FIELDS 14
48 #define MAX_LEN 15
49

```

```

50     int n = 0;
51     int m = 0;
52
53     char gps_data[NO_OF_FIELDS][MAX_LEN];
54     memset(gps_data, 0, sizeof(gps_data));
55
56     bool complete = false;
57     while (output[p] != '$' && n < MAX_LEN && complete == false) {
58         if (output[p] == ',' || output[p] == '*') {
59             n += 1;
60             m = 0;
61         } else {
62             gps_data[n][m] = output[p];
63             // Checks if sentence is complete
64             if (m < NO_OF_FIELDS) {
65                 m++;
66             } else {
67                 complete = true;
68             }
69         }
70         p++;
71     }
72
73     // Displays GPRMC data
74     // Similarly, additional if statements can be used to add more protocols
75     if (strcmp(protocol, "GPRMC") == 0) {
76         printf("Protocol:%s\n", gps_data[0]);
77         printf("UTC Time: %s\n", gps_data[1]);
78         printf("Status: %s\n", gps_data[2][0] == 'V' ? "Data invalid. GPS fix not found." :
79 "Data Valid");
80         printf("Latitude: %s\n", gps_data[3]);
81         printf("N/S indicator: %s\n", gps_data[4]);
82         printf("Longitude: %s\n", gps_data[5]);
83         printf("E/W indicator: %s\n", gps_data[6]);
84         printf("Speed over ground: %s\n", gps_data[7]);
85         printf("Course over ground: %s\n", gps_data[8]);
86         printf("Date: %c%c/%c%c/%c%c\n", gps_data[9][0], gps_data[9][1], gps_data[9][2],
87 gps_data[9][3], gps_data[9][4],
88         gps_data[9][5]);
89         printf("Magnetic Variation: %s\n", gps_data[10]);
90         printf("E/W degree indicator: %s\n", gps_data[11]);
91         printf("Mode: %s\n", gps_data[12]);
92         printf("Checksum: %c%c\n", gps_data[13][0], gps_data[13][1]);
93     }
94 }
95
96 void pa1010d_read_raw(char numcommand[]) {
97     uint8_t buffer[MAX_READ];
98
99     int i = 0;
100     bool complete = false;
101
102     i2c_read_blocking(i2c_default, addr, buffer, MAX_READ, false);
103
104     // Convert bytes to characters
105     while (i < MAX_READ && complete == false) {
106         numcommand[i] = buffer[i];
107         // Stop converting at end of message
108         if (buffer[i] == 10 && buffer[i + 1] == 10) {
109             complete = true;
110         }
111         i++;
112     }
113 }

```

```

112
113 #endif
114
115 int main() {
116     stdio_init_all();
117     #if !defined(i2c_default) || !defined(PICO_DEFAULT_I2C_SDA_PIN) ||
118         !defined(PICO_DEFAULT_I2C_SCL_PIN)
119     #warning i2c/mpu6050_i2c example requires a board with I2C pins
120     puts("Default I2C pins were not defined");
121 #else
122     char numcommand[MAX_READ];
123
124     // Decide which protocols you would like to retrieve data from
125     char init_command[] = "$PMTK314,0,1,0,0,0,0,0,0,0,0,0,0,0,0,0,0,0*29\r\n";
126
127     // This example will use I2C0 on the default SDA and SCL pins (4, 5 on a Pico)
128     i2c_init(i2c_default, 400 * 1000);
129     gpio_set_function(PICO_DEFAULT_I2C_SDA_PIN, GPIO_FUNC_I2C);
130     gpio_set_function(PICO_DEFAULT_I2C_SCL_PIN, GPIO_FUNC_I2C);
131     gpio_pull_up(PICO_DEFAULT_I2C_SDA_PIN);
132     gpio_pull_up(PICO_DEFAULT_I2C_SCL_PIN);
133
134     // Make the I2C pins available to picotool
135     bi_decl(bi_2pins_with_func(PICO_DEFAULT_I2C_SDA_PIN, PICO_DEFAULT_I2C_SCL_PIN,
136         GPIO_FUNC_I2C));
137
138     printf("Hello, PA1010D! Reading raw data from module...\n");
139
140     pa1010d_write_command(init_command, sizeof(init_command));
141
142     while (1) {
143         // Clear array
144         memset(numcommand, 0, MAX_READ);
145         // Read and re-format
146         pa1010d_read_raw(numcommand);
147         pa1010d_parse_string(numcommand, "GNRMC");
148
149         // Wait for data to refresh
150         sleep_ms(1000);
151
152         // Clear terminal
153         printf("\033[1;1H\033[2J");
154     }
155 #endif
156 }

```

Bill of Materials

Table 23. A list of materials required for the example

Item	Quantity	Details
Breadboard	1	generic part
Raspberry Pi Pico	1	https://www.raspberrypi.com/products/raspberry-pi-pico/
PA1010D board	1	https://shop.pimoroni.com/products/pa1010d-gps-breakout
M/M Jumper wires	4	generic part

Attaching a PCF8523 Real Time Clock via I2C

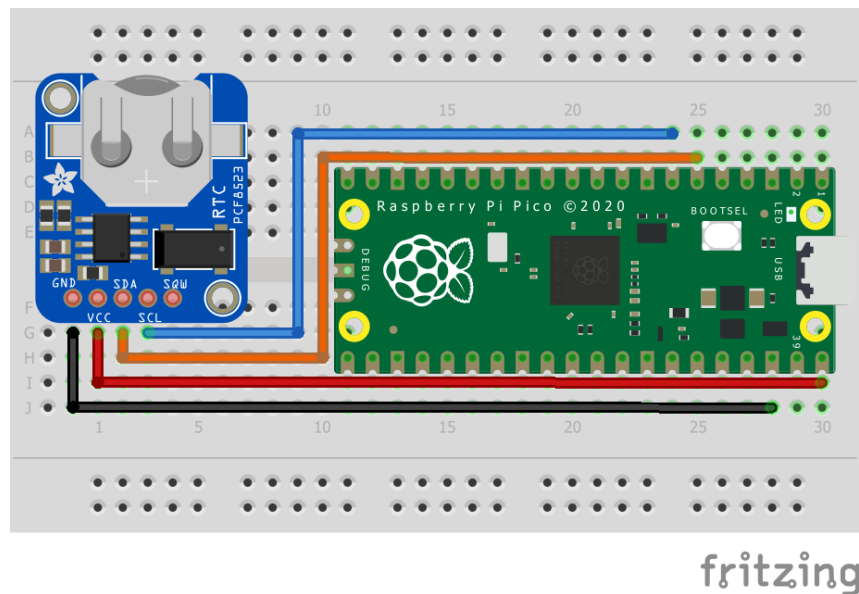
This example code shows how to interface the Raspberry Pi Pico to the PCF8523 Real Time Clock

This example allows you to initialise the current time and date and then displays it every half-second. Additionally it lets you set an alarm for a particular time and date and raises an alert accordingly. More information about the module is available at <https://learn.adafruit.com/adafruit-pcf8523-real-time-clock>.

Wiring information

Wiring up the device requires 4 jumpers, to connect VDD, GND, SDA and SCL. The example here uses I2C port 0, which is assigned to GPIO 4 (SDA) and 5 (SCL) in software. Power is supplied from the 5V pin.

Figure 26. Wiring Diagram for PCF8523.



List of Files

CMakeLists.txt

CMake file to incorporate the example in to the examples build tree.

Pico Examples: https://github.com/raspberrypi/pico-examples/blob/master/i2c/pcf8523_i2c/CMakeLists.txt

```

1 add_executable(pcf8523_i2c
2     pcf8523_i2c.c
3 )
4
5 # pull in common dependencies and additional i2c hardware support
6 target_link_libraries(pcf8523_i2c pico_stdlib hardware_i2c)
7
8 # create map/bin/hex file etc.
9 pico_add_extra_outputs(pcf8523_i2c)
10
11 # add url via pico_set_program_url
12 example_auto_set_url(pcf8523_i2c)

```

pcf8523_i2c.c

The example code.

Pico Examples: https://github.com/raspberrypi/pico-examples/blob/master/i2c/pcf8523_i2c/pcf8523_i2c.c

```

1 /**
2  * Copyright (c) 2020 Raspberry Pi (Trading) Ltd.
3  *
4  * SPDX-License-Identifier: BSD-3-Clause
5  */
6
7 #include <stdio.h>
8 #include <string.h>
9 #include "pico/stdlib.h"
10 #include "pico/binary_info.h"
11 #include "hardware/i2c.h"
12
13 /* Example code to talk to a PCF8520 Real Time Clock module
14
15     Connections on Raspberry Pi Pico board, other boards may vary.
16
17     GPIO PICO_DEFAULT_I2C_SDA_PIN (On Pico this is 4 (physical pin 6)) -> SDA on PCF8520 board
18     GPIO PICO_DEFAULT_I2C_SCK_PIN (On Pico this is 5 (physical pin 7)) -> SCL on PCF8520 board
19     5V (physical pin 40) -> VCC on PCF8520 board
20     GND (physical pin 38) -> GND on PCF8520 board
21 */
22
23 #ifndef i2c_default
24
25 // By default these devices are on bus address 0x68
26 static int addr = 0x68;
27
28 static void pcf8520_reset() {
29     // Two byte reset. First byte register, second byte data
30     // There are a load more options to set up the device in different ways that could be
31     // added here
32     uint8_t buf[] = {0x00, 0x58};
33     i2c_write_blocking(i2c_default, addr, buf, 2, false);
34 }
35
36 static void pcf820_write_current_time() {
37     // buf[0] is the register to write to
38     // buf[1] is the value that will be written to the register
39     uint8_t buf[2];
40
41     //Write values for the current time in the array
42     //index 0 -> second: bits 4-6 are responsible for the ten's digit and bits 0-3 for the
43     //unit's digit
44     //index 1 -> minute: bits 4-6 are responsible for the ten's digit and bits 0-3 for the
45     //unit's digit
46     //index 2 -> hour: bits 4-5 are responsible for the ten's digit and bits 0-3 for the
47     //unit's digit
48     //index 3 -> day of the month: bits 4-5 are responsible for the ten's digit and bits 0-3
49     //for the unit's digit
50     //index 4 -> day of the week: where Sunday = 0x00, Monday = 0x01, Tuesday... ..Saturday =
51     //0x06
52     //index 5 -> month: bit 4 is responsible for the ten's digit and bits 0-3 for the unit's
53     //digit
54     //index 6 -> year: bits 4-7 are responsible for the ten's digit and bits 0-3 for the
55     //unit's digit
56
57     //NOTE: if the value in the year register is a multiple for 4, it will be considered a
58     //leap year and hence will include the 29th of February
59
60     uint8_t current_val[7] = {0x00, 0x00, 0x00, 0x00, 0x00, 0x00, 0x00};
61 }
62

```

```

53     for (int i = 3; i < 10; ++i) {
54         buf[0] = i;
55         buf[1] = current_val[i - 3];
56         i2c_write_blocking(i2c_default, addr, buf, 2, false);
57     }
58 }
59
60 static void pcf8520_read_raw(uint8_t *buffer) {
61     // For this particular device, we send the device the register we want to read
62     // first, then subsequently read from the device. The register is auto incrementing
63     // so we don't need to keep sending the register we want, just the first.
64
65     // Start reading acceleration registers from register 0x3B for 6 bytes
66     uint8_t val = 0x03;
67     i2c_write_blocking(i2c_default, addr, &val, 1, true); // true to keep master control of
        bus
68     i2c_read_blocking(i2c_default, addr, buffer, 7, false);
69 }
70
71
72 void pcf8520_set_alarm() {
73     // buf[0] is the register to write to
74     // buf[1] is the value that will be written to the register
75     uint8_t buf[2];
76
77     // Default value of alarm register is 0x80
78     // Set bit 8 of values to 0 to activate that particular alarm
79     // Index 0 -> minute: bits 4-5 are responsible for the ten's digit and bits 0-3 for the
        unit's digit
80     // Index 1 -> hour: bits 4-6 are responsible for the ten's digit and bits 0-3 for the
        unit's digit
81     // Index 2 -> day of the month: bits 4-5 are responsible for the ten's digit and bits 0-3
        for the unit's digit
82     // Index 3 -> day of the week: where Sunday = 0x00, Monday = 0x01, Tuesday... ..Saturday
        = 0x06
83
84     uint8_t alarm_val[4] = {0x01, 0x80, 0x80, 0x80};
85     // Write alarm values to registers
86     for (int i = 10; i < 14; ++i) {
87         buf[0] = (uint8_t) i;
88         buf[1] = alarm_val[i - 10];
89         i2c_write_blocking(i2c_default, addr, buf, 2, false);
90     }
91 }
92
93 void pcf8520_check_alarm() {
94     // Check bit 3 of control register 2 for alarm flags
95     uint8_t status[1];
96     uint8_t val = 0x01;
97     i2c_write_blocking(i2c_default, addr, &val, 1, true); // true to keep master control of
        bus
98     i2c_read_blocking(i2c_default, addr, status, 1, false);
99
100    if ((status[0] & 0x08) == 0x08) {
101        printf("ALARM RINGING");
102    } else {
103        printf("Alarm not triggered yet");
104    }
105 }
106
107
108 void pcf8520_convert_time(int conv_time[7], const uint8_t raw_time[7]) {
109     // Convert raw data into time
110     conv_time[0] = (10 * (int) ((raw_time[0] & 0x70) >> 4)) + ((int) (raw_time[0] & 0x0F));

```

```

111     conv_time[1] = (10 * (int) ((raw_time[1] & 0x70) >> 4)) + ((int) (raw_time[1] & 0x0F));
112     conv_time[2] = (10 * (int) ((raw_time[2] & 0x30) >> 4)) + ((int) (raw_time[2] & 0x0F));
113     conv_time[3] = (10 * (int) ((raw_time[3] & 0x30) >> 4)) + ((int) (raw_time[3] & 0x0F));
114     conv_time[4] = (int) (raw_time[4] & 0x07);
115     conv_time[5] = (10 * (int) ((raw_time[5] & 0x10) >> 4)) + ((int) (raw_time[5] & 0x0F));
116     conv_time[6] = (10 * (int) ((raw_time[6] & 0xF0) >> 4)) + ((int) (raw_time[6] & 0x0F));
117 }
118 #endif
119
120 int main() {
121     stdio_init_all();
122     #if !defined(i2c_default) || !defined(PICO_DEFAULT_I2C_SDA_PIN) ||
123         !defined(PICO_DEFAULT_I2C_SCL_PIN)
124     #warning i2c/pcf8520_i2c example requires a board with I2C pins
125     puts("Default I2C pins were not defined");
126 #else
127     printf("Hello, PCF8520! Reading raw data from registers...\n");
128
129     // This example will use I2C0 on the default SDA and SCL pins (4, 5 on a Pico)
130     i2c_init(i2c_default, 400 * 1000);
131     gpio_set_function(PICO_DEFAULT_I2C_SDA_PIN, GPIO_FUNC_I2C);
132     gpio_set_function(PICO_DEFAULT_I2C_SCL_PIN, GPIO_FUNC_I2C);
133     gpio_pull_up(PICO_DEFAULT_I2C_SDA_PIN);
134     gpio_pull_up(PICO_DEFAULT_I2C_SCL_PIN);
135     // Make the I2C pins available to picotool
136     bi_decl(bi_2pins_with_func(PICO_DEFAULT_I2C_SDA_PIN, PICO_DEFAULT_I2C_SCL_PIN,
137                               GPIO_FUNC_I2C));
138
139     pcf8520_reset();
140
141     pcf820_write_current_time();
142     pcf8520_set_alarm();
143     pcf8520_check_alarm();
144
145     uint8_t raw_time[7];
146     int real_time[7];
147     char days_of_week[7][12] = {"Sunday", "Monday", "Tuesday", "Wednesday", "Thursday",
148                                "Friday", "Saturday"};
149
150     while (1) {
151         pcf8520_read_raw(raw_time);
152         pcf8520_convert_time(real_time, raw_time);
153
154         printf("Time: %02d : %02d : %02d\n", real_time[2], real_time[1], real_time[0]);
155         printf("Date: %s %02d / %02d / %02d\n", days_of_week[real_time[4]], real_time[3],
156               real_time[5], real_time[6]);
157         pcf8520_check_alarm();
158
159         sleep_ms(500);
160
161         // Clear terminal
162         printf("\033[1;1H\033[2J");
163     }
164 #endif
165 }

```

Bill of Materials

Table 24. A list of materials required for the example

Item	Quantity	Details
Breadboard	1	generic part
Raspberry Pi Pico	1	https://www.raspberrypi.com/products/raspberry-pi-pico/
PCF8523 board	1	https://www.adafruit.com/product/3295
M/M Jumper wires	4	generic part

Interfacing 1-Wire devices to the Pico

This example demonstrates how to use [1-Wire](#) devices with the Raspberry Pi Pico (RP2040). 1-Wire is an interface that enables a master to control several slave devices over a simple shared serial bus.

The example provides a 1-Wire library that is used to take readings from a set of connected [DS18B20](#) 1-Wire temperature sensors. The results are sent to the default serial terminal connected via USB or UART as configured in the SDK.

The library uses a driver based on the RP2040 PIO state machine to generate accurate bus timings and control the 1-Wire bus via a GPIO pin.

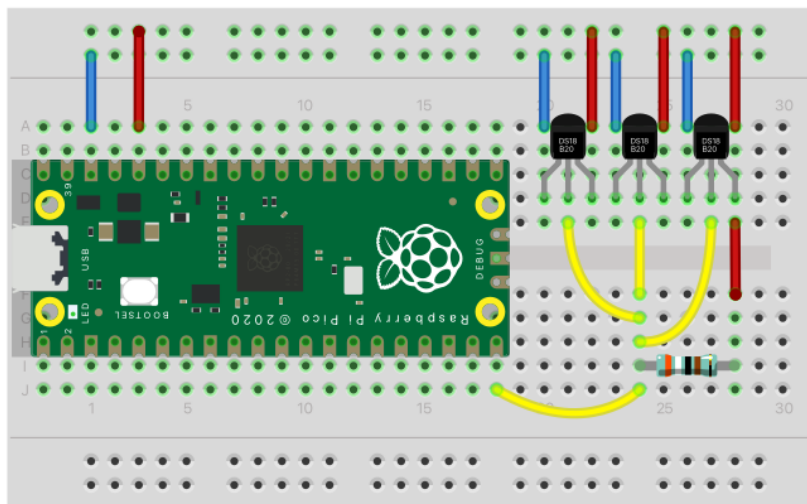
1-Wire® is a registered trademark of Maxim Integrated Products, Inc.

Wiring information

Connect one or more DS18B20 sensors to the Pico as shown in the diagram and table below.

Connect GPIO 15 to 3V3(OUT) with a pull-up resistor of about 4k ohms.

Figure 27. Wiring diagram



fritzing

Table 25. Connections table

Pico	pin	DS18B20	pin / sensor wire
GND	38 or equivalent	GND	1 / Black
GPIO 15	20	DQ	2 / Yellow
3V3(OUT)	36	VDD	3 / Red

Bill of materials

Table 26. A list of materials for the example circuit

Item	Quantity	Details
Breadboard	1	generic part
Raspberry Pi Pico	1	https://www.raspberrypi.com/products/raspberry-pi-pico/
DS18B20	3	chip or wired sensor
3900 ohm resistor	1	generic part
M/M jumper wire	13	generic part

List of files

CMakeLists.txt

CMake file to incorporate the example in the build tree.

Pico Examples: <https://github.com/raspberrypi/pico-examples/blob/master/pio/onewire/CMakeLists.txt>

```

1 add_executable(pio_onewire)
2
3 target_sources(pio_onewire PRIVATE onewire.c)
4
5 add_subdirectory(onewire_library)
6
7 target_link_libraries(pio_onewire PRIVATE
8     pico_stdlib
9     hardware_pio
10    onewire_library)
11
12 pico_add_extra_outputs(pio_onewire)
13
14 # add url via pico_set_program_url
15 example_auto_set_url(pio_onewire)

```

onewire.c

Source code for the example program.

Pico Examples: <https://github.com/raspberrypi/pico-examples/blob/master/pio/onewire/onewire.c>

```

1 /**
2  * Copyright (c) 2023 mjcross
3  *
4  * SPDX-License-Identifier: BSD-3-Clause
5  */
6
7 #include <stdio.h>
8 #include "pico/stdlib.h"
9 #include "pico/binary_info.h"
10
11 #include "onewire_library.h" // onewire library functions
12 #include "ow_rom.h" // onewire ROM command codes
13 #include "ds18b20.h" // ds18b20 function codes
14
15 // Demonstrates the PIO onewire driver by taking readings from a set of
16 // ds18b20 1-wire temperature sensors.

```

```

17
18 int main() {
19     stdio_init_all();
20
21     PIO pio = pio0;
22     uint gpio = 15;
23
24     OW ow;
25     uint offset;
26     // add the program to the PIO shared address space
27     if (pio_can_add_program (pio, &onewire_program)) {
28         offset = pio_add_program (pio, &onewire_program);
29
30         // claim a state machine and initialise a driver instance
31         if (ow_init (&ow, pio, offset, gpio)) {
32
33             // find and display 64-bit device addresses
34             int maxdevs = 10;
35             uint64_t romcode[maxdevs];
36             int num_devs = ow_romsearch (&ow, romcode, maxdevs, OW_SEARCH_ROM);
37
38             printf("Found %d devices\n", num_devs);
39             for (int i = 0; i < num_devs; i += 1) {
40                 printf("\t%d: 0x%llx\n", i, romcode[i]);
41             }
42             putchar ('\n');
43
44             while (num_devs > 0) {
45                 // start temperature conversion in parallel on all devices
46                 // (see ds18b20 datasheet)
47                 ow_reset (&ow);
48                 ow_send (&ow, OW_SKIP_ROM);
49                 ow_send (&ow, DS18B20_CONVERT_T);
50
51                 // wait for the conversions to finish
52                 while (ow_read(&ow) == 0);
53
54                 // read the result from each device
55                 for (int i = 0; i < num_devs; i += 1) {
56                     ow_reset (&ow);
57                     ow_send (&ow, OW_MATCH_ROM);
58                     for (int b = 0; b < 64; b += 8) {
59                         ow_send (&ow, romcode[i] >> b);
60                     }
61                     ow_send (&ow, DS18B20_READ_SCRATCHPAD);
62                     int16_t temp = 0;
63                     temp = ow_read (&ow) | (ow_read (&ow) << 8);
64                     printf ("\t%d: %f", i, temp / 16.0);
65                 }
66                 putchar ('\n');
67             }
68
69             } else {
70                 puts ("could not initialise the driver");
71             }
72         } else {
73             puts ("could not add the program");
74         }
75
76     while(true);
77 }

```

ow_rom.h

Header file with generic ROM command codes for 1-Wire devices.

Pico Examples: https://github.com/raspberrypi/pico-examples/blob/master/pio/onewire/ow_rom.h

```

1 // Generic ROM commands for 1-Wire devices
2 // https://www.analog.com/en/technical-articles/guide-to-1wire-communication.html
3 //
4 #define OW_READ_ROM          0x33
5 #define OW_MATCH_ROM        0x55
6 #define OW_SKIP_ROM         0xCC
7 #define OW_ALARM_SEARCH     0xEC
8 #define OW_SEARCH_ROM       0xF0

```

ds18b20.h

Header file with function command codes for the DS18B20 device.

Pico Examples: <https://github.com/raspberrypi/pico-examples/blob/master/pio/onewire/ds18b20.h>

```

1 // Function commands for d218b20 1-Wire temperature sensor
2 // https://www.analog.com/en/products/ds18b20.html
3 //
4 #define DS18B20_CONVERT_T    0x44
5 #define DS18B20_WRITE_SCRATCHPAD  0x4e
6 #define DS18B20_READ_SCRATCHPAD  0xbe
7 #define DS18B20_COPY_SCRATCHPAD  0x48
8 #define DS18B20_RECALL_EE      0xb8
9 #define DS18B20_READ_POWER_SUPPLY 0xb4

```

onewire_library/

Subdirectory containing the 1-Wire library and driver.

onewire_library/CMakeLists.txt

CMake file to build the 1-Wire library and driver.

Pico Examples: https://github.com/raspberrypi/pico-examples/blob/master/pio/onewire/onewire_library/CMakeLists.txt

```

1 add_library(onewire_library INTERFACE)
2 target_sources(onewire_library INTERFACE ${CMAKE_CURRENT_SOURCE_DIR}/onewire_library.c)
3
4 # invoke pio_asm to assemble the state machine programs
5 #
6 pico_generate_pio_header(onewire_library ${CMAKE_CURRENT_LIST_DIR}/onewire_library.pio)
7
8 target_link_libraries(onewire_library INTERFACE
9     pico_stdlib
10    hardware_pio
11    )
12
13 # add the `binary` directory so that the generated headers are included in the project
14 #
15 target_include_directories(onewire_library INTERFACE
16     ${CMAKE_CURRENT_SOURCE_DIR}
17     ${CMAKE_CURRENT_BINARY_DIR}
18    )

```

onewire_library/onewire_library.c

Source code for the 1-Wire user functions.

Pico Examples: https://github.com/raspberrypi/pico-examples/blob/master/pio/onewire/onewire_library/onewire_library.c

```

1  /**
2   * Copyright (c) 2023 mjcross
3   *
4   * SPDX-License-Identifier: BSD-3-Clause
5   */
6
7  #include "pico/stdlib.h"
8  #include "hardware/gpio.h"
9  #include "hardware/pio.h"
10
11 #include "onewire_library.h"
12
13
14 // Create a driver instance and populate the provided OW structure.
15 // Returns: True on success.
16 // ow: A pointer to a blank OW structure to hold the driver parameters.
17 // pio: The PIO hardware instance to use.
18 // offset: The location of the onewire program in the PIO shared address space.
19 // gpio: The pin to use for the bus (NB: see the README).
20 bool ow_init (OW *ow, PIO pio, uint offset, uint gpio) {
21     int sm = pio_claim_unused_sm (pio, false);
22     if (sm == -1) {
23         return false;
24     }
25     gpio_init (gpio);           // enable the gpio and clear any output value
26     pio_gpio_init (pio, gpio);  // set the function to PIO output
27     ow->gpio = gpio;
28     ow->pio = pio;
29     ow->offset = offset;
30     ow->sm = (uint)sm;
31     ow->jmp_reset = onewire_reset_instr (ow->offset); // assemble the bus reset instruction
32     onewire_sm_init (ow->pio, ow->sm, ow->offset, ow->gpio, 8); // set 8 bits per word
33     return true;
34 }
35
36
37 // Send a binary word on the bus (LSB first).
38 // ow: A pointer to an OW driver struct.
39 // data: The word to be sent.
40 void ow_send (OW *ow, uint data) {
41     pio_sm_put_blocking (ow->pio, ow->sm, (uint32_t)data);
42     pio_sm_get_blocking (ow->pio, ow->sm); // discard the response
43 }
44
45
46 // Read a binary word from the bus.
47 // Returns: the word read (LSB first).
48 // ow: pointer to an OW driver struct
49 uint8_t ow_read (OW *ow) {
50     pio_sm_put_blocking (ow->pio, ow->sm, 0xff); // generate read slots
51     return (uint8_t)(pio_sm_get_blocking (ow->pio, ow->sm) >> 24); // shift response into
52     bits 0..7
53 }
54
55 // Reset the bus and detect any connected slaves.
56 // Returns: true if any slaves responded.
57 // ow: pointer to an OW driver struct

```

```

58 bool ow_reset (OW *ow) {
59     pio_sm_exec_wait_blocking (ow->pio, ow->sm, ow->jmp_reset);
60     if ((pio_sm_get_blocking (ow->pio, ow->sm) & 1) == 0) { // apply pin mask (see pio
        program)
61         return true; // a slave pulled the bus low
62     }
63     return false;
64 }
65
66
67 // Find ROM codes (64-bit hardware addresses) of all connected devices.
68 // See https://www.analog.com/en/app-notes/1wire-search-algorithm.html
69 // Returns: the number of devices found (up to maxdevs) or -1 if an error occurred.
70 // ow: pointer to an OW driver struct
71 // romcodes: location at which store the addresses (NULL means don't store)
72 // maxdevs: maximum number of devices to find (0 means no limit)
73 // command: 1-Wire search command (e.g. OW_SEARCHROM or OW_ALARM_SEARCH)
74 int ow_romsearch (OW *ow, uint64_t *romcodes, int maxdevs, uint command) {
75     int index;
76     uint64_t romcode = 0ull;
77     int branch_point;
78     int next_branch_point = -1;
79     int num_found = 0;
80     bool finished = false;
81
82     onewire_sm_init (ow->pio, ow->sm, ow->offset, ow->gpio, 1); // set driver to 1-bit mode
83
84     while (finished == false && (maxdevs == 0 || num_found < maxdevs )) {
85         finished = true;
86         branch_point = next_branch_point;
87         if (ow_reset (ow) == false) {
88             num_found = 0; // no slaves present
89             finished = true;
90             break;
91         }
92         for (int i = 0; i < 8; i += 1) { // send search command as single bits
93             ow_send (ow, command >> i);
94         }
95         for (index = 0; index < 64; index += 1) { // determine romcode bits 0..63 (see ref)
96             uint a = ow_read (ow);
97             uint b = ow_read (ow);
98             if (a == 0 && b == 0) { // (a, b) = (0, 0)
99                 if (index == branch_point) {
100                     ow_send (ow, 1);
101                     romcode |= (1ull << index);
102                 } else {
103                     if (index > branch_point || (romcode & (1ull << index)) == 0) {
104                         ow_send(ow, 0);
105                         finished = false;
106                         romcode &= ~(1ull << index);
107                         next_branch_point = index;
108                     } else { // index < branch_point or romcode[index] = 1
109                         ow_send (ow, 1);
110                     }
111                 }
112             } else if (a != 0 && b != 0) { // (a, b) = (1, 1) error (e.g. device
                disconnected)
113                 num_found = -2; // function will return -1
114                 finished = true;
115                 break; // terminate for loop
116             } else {
117                 if (a == 0) { // (a, b) = (0, 1) or (1, 0)
118                     ow_send (ow, 0);
119                     romcode &= ~(1ull << index);

```

```

120         } else {
121             ow_send (ow, 1);
122             romcode |= (1ull << index);
123         }
124     }
125     } // end of for loop
126
127     if (romcodes != NULL) {
128         romcodes[num_found] = romcode; // store the romcode
129     }
130     num_found += 1;
131 } // end of while loop
132
133 onewire_sm_init (ow->pio, ow->sm, ow->offset, ow->gpio, 8); // restore 8-bit mode
134 return num_found;
135 }

```

onewire_library/onewire_library.h

Header file for the 1-Wire user functions and types.

Pico Examples: https://github.com/raspberrypi/pico-examples/blob/master/pio/onewire/onewire_library/onewire_library.h

```

1 #include "hardware/pio.h"
2 #include "hardware/clocks.h" // for clock_get_hz() in generated header
3 #include "onewire_library.pio.h" // generated by pioasm
4
5 typedef struct {
6     PIO pio;
7     uint sm;
8     uint jmp_reset;
9     int offset;
10    int gpio;
11 } OW;
12
13 bool ow_init (OW *ow, PIO pio, uint offset, uint gpio);
14 void ow_send (OW *ow, uint data);
15 uint8_t ow_read (OW *ow);
16 bool ow_reset (OW *ow);
17 int ow_romsearch (OW *ow, uint64_t *romcodes, int maxdevs, uint command);

```

onewire_library/onewire_library.pio

PIO assembly code for the 1-Wire driver.

Pico Examples: https://github.com/raspberrypi/pico-examples/blob/master/pio/onewire/onewire_library/onewire_library.pio

```

1 ;
2 ; Copyright (c) 2023 mjcross
3 ;
4 ; SPDX-License-Identifier: BSD-3-Clause
5 ;
6
7 ; Implements a Maxim 1-Wire bus with a GPIO pin.
8 ;
9 ; Place data words to be transmitted in the TX FIFO and read the results from the
10 ; RX FIFO. To reset the bus execute a jump to 'reset_bus' using the opcode from
11 ; the provided function.
12 ;
13 ; At 1us per cycle as initialised below the timings are those recommended by:
14 ; https://www.analog.com/en/technical-articles/1wire-communication-through-software.html
15 ;

```

```

16 ; Notes:
17 ; (1) The code will stall with the bus in a safe state if the FIFOs are empty/full.
18 ; (2) The bus must be pulled up with an external pull-up resistor of about 4k.
19 ; The internal GPIO resistors are too high (~50k) to work reliably for this.
20 ; (3) Do not connect the GPIO pin directly to a bus powered at more than 3.3V.
21
22 .program onewire
23 .side_set 1 pindirs
24
25 PUBLIC reset_bus:
26     set x, 28     side 1 [15] ; pull bus low           16
27 loop_a: jmp x-- loop_a side 1 [15] ;                   29 x 16
28     set x, 8     side 0 [6] ; release bus             7
29 loop_b: jmp x-- loop_b side 0 [6] ;                   9 x 7
30
31     mov isr, pins side 0 ; read all pins to ISR (avoids autopush) 1
32     push         side 0 ; push result manually         1
33     set x, 24    side 0 [7] ;                         8
34 loop_c: jmp x-- loop_c side 0 [15] ;                   25 x 16
35
36 .wrap_target
37 PUBLIC fetch_bit:
38     out x, 1     side 0 ; shift next bit from OSR (autopull) 1
39     jmp !x send_0 side 1 [5] ; pull bus low, branch if sending '0' 6
40
41 send_1: ; send a '1' bit
42     set x, 2     side 0 [8] ; release bus, wait for slave response 9
43     in pins, 1   side 0 [4] ; read bus, shift bit to ISR (autopush) 5
44 loop_e: jmp x-- loop_e side 0 [15] ;                   3 x 16
45     jmp fetch_bit side 0 ;                             1
46
47 send_0: ; send a '0' bit
48     set x, 2     side 1 [5] ; continue pulling bus low         6
49 loop_d: jmp x-- loop_d side 1 [15] ;                   3 x 16
50     in null, 1   side 0 [8] ; release bus, shift 0 to ISR (autopush) 9
51 .wrap
52 ;; (17 instructions)
53
54
55 % c-sdk {
56 static inline void onewire_sm_init (PIO pio, uint sm, uint offset, uint pin_num, uint
57     bits_per_word) {
58     // create a new state machine configuration
59     pio_sm_config c = onewire_program_get_default_config (offset);
60
61     // Input Shift Register configuration settings
62     sm_config_set_in_shift (
63         &c,
64         true, // shift direction: right
65         true, // autopush: enabled
66         bits_per_word // autopush threshold
67     );
68
69     // Output Shift Register configuration settings
70     sm_config_set_out_shift (
71         &c,
72         true, // shift direction: right
73         true, // autopull: enabled
74         bits_per_word // autopull threshold
75     );
76
77     // configure the input and sideset pin groups to start at `pin_num`
78     sm_config_set_in_pins (&c, pin_num);

```

```

79     sm_config_set_sideset_pins (&c, pin_num);
80
81     // configure the clock divider for 1 usec per instruction
82     float div = clock_get_hz (clk_sys) * 1e-6;
83     sm_config_set_clkdiv (&c, div);
84
85     // apply the configuration and initialise the program counter
86     pio_sm_init (pio, sm, offset + onewire_offset_fetch_bit, &c);
87
88     // enable the state machine
89     pio_sm_set_enabled (pio, sm, true);
90 }
91
92 static inline uint onewire_reset_instr (uint offset) {
93     // encode a "jmp reset_bus side 0" instruction for the state machine
94     return pio_encode_jmp (offset + onewire_offset_reset_bus) | pio_encode_sideset (1, 0);
95 }
96 %}

```

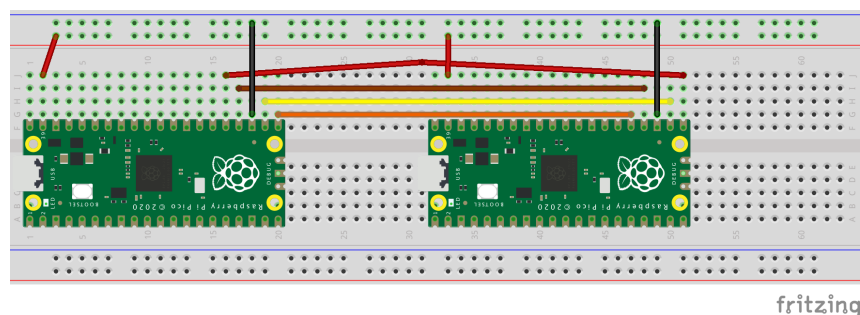
Communicating as master and slave via SPI

This example code shows how to interface two RP2040 microcontrollers to each other using SPI.

Wiring information

Function	Master (RP2040)	Slave (RP2040)	Master (Pico)	Slave (Pico)
MOSI	DO0	DI0	25	21
SCLK	SCK0	SCK0	24	24
GND	GND	GND	23	23
CS	CS0	CS0	22	22
MISO	DI0	DO0	21	25

Figure 28. Wiring Diagram for SPI Master and Slave.



At least one of the boards should be powered, and will share power to the other.

If the master is not connected properly to a slave, the master will report reading all zeroes.

If the slave is not connected properly to a master, it will initialize but never transmit nor receive, because it's waiting for clock signal from the master.

Outputs

Both master and slave boards will give output to stdio.

With master and slave properly connected, the master should output something like this:

```
SPI master example
SPI master says: The following buffer will be written to MOSI endlessly:
00 01 02 03 04 05 06 07 08 09 0a 0b 0c 0d 0e 0f
10 11 12 13 14 15 16 17 18 19 1a 1b 1c 1d 1e 1f
20 21 22 23 24 25 26 27 28 29 2a 2b 2c 2d 2e 2f
30 31 32 33 34 35 36 37 38 39 3a 3b 3c 3d 3e 3f
40 41 42 43 44 45 46 47 48 49 4a 4b 4c 4d 4e 4f
50 51 52 53 54 55 56 57 58 59 5a 5b 5c 5d 5e 5f
60 61 62 63 64 65 66 67 68 69 6a 6b 6c 6d 6e 6f
70 71 72 73 74 75 76 77 78 79 7a 7b 7c 7d 7e 7f
80 81 82 83 84 85 86 87 88 89 8a 8b 8c 8d 8e 8f
90 91 92 93 94 95 96 97 98 99 9a 9b 9c 9d 9e 9f
a0 a1 a2 a3 a4 a5 a6 a7 a8 a9 aa ab ac ad ae af
b0 b1 b2 b3 b4 b5 b6 b7 b8 b9 ba bb bc bd be bf
c0 c1 c2 c3 c4 c5 c6 c7 c8 c9 ca cb cc cd ce cf
d0 d1 d2 d3 d4 d5 d6 d7 d8 d9 da db dc dd de df
e0 e1 e2 e3 e4 e5 e6 e7 e8 e9 ea eb ec ed ee ef
f0 f1 f2 f3 f4 f5 f6 f7 f8 f9 fa fb fc fd fe ff
SPI master says: read page 0 from the MISO line:
ff fe fd fc fb fa f9 f8 f7 f6 f5 f4 f3 f2 f1 f0
ef ee ed ec eb ea e9 e8 e7 e6 e5 e4 e3 e2 e1 e0
df de dd dc db da d9 d8 d7 d6 d5 d4 d3 d2 d1 d0
cf ce cd cc cb ca c9 c8 c7 c6 c5 c4 c3 c2 c1 c0
bf be bd bc bb ba b9 b8 b7 b6 b5 b4 b3 b2 b1 b0
af ae ad ac ab aa a9 a8 a7 a6 a5 a4 a3 a2 a1 a0
9f 9e 9d 9c 9b 9a 99 98 97 96 95 94 93 92 91 90
8f 8e 8d 8c 8b 8a 89 88 87 86 85 84 83 82 81 80
7f 7e 7d 7c 7b 7a 79 78 77 76 75 74 73 72 71 70
6f 6e 6d 6c 6b 6a 69 68 67 66 65 64 63 62 61 60
5f 5e 5d 5c 5b 5a 59 58 57 56 55 54 53 52 51 50
4f 4e 4d 4c 4b 4a 49 48 47 46 45 44 43 42 41 40
3f 3e 3d 3c 3b 3a 39 38 37 36 35 34 33 32 31 30
2f 2e 2d 2c 2b 2a 29 28 27 26 25 24 23 22 21 20
1f 1e 1d 1c 1b 1a 19 18 17 16 15 14 13 12 11 10
0f 0e 0d 0c 0b 0a 09 08 07 06 05 04 03 02 01 00
```

The slave should output something like this:

```
SPI slave example
SPI slave says: When reading from MOSI, the following buffer will be written to MISO:
ff fe fd fc fb fa f9 f8 f7 f6 f5 f4 f3 f2 f1 f0
ef ee ed ec eb ea e9 e8 e7 e6 e5 e4 e3 e2 e1 e0
df de dd dc db da d9 d8 d7 d6 d5 d4 d3 d2 d1 d0
cf ce cd cc cb ca c9 c8 c7 c6 c5 c4 c3 c2 c1 c0
bf be bd bc bb ba b9 b8 b7 b6 b5 b4 b3 b2 b1 b0
af ae ad ac ab aa a9 a8 a7 a6 a5 a4 a3 a2 a1 a0
9f 9e 9d 9c 9b 9a 99 98 97 96 95 94 93 92 91 90
8f 8e 8d 8c 8b 8a 89 88 87 86 85 84 83 82 81 80
7f 7e 7d 7c 7b 7a 79 78 77 76 75 74 73 72 71 70
6f 6e 6d 6c 6b 6a 69 68 67 66 65 64 63 62 61 60
5f 5e 5d 5c 5b 5a 59 58 57 56 55 54 53 52 51 50
4f 4e 4d 4c 4b 4a 49 48 47 46 45 44 43 42 41 40
3f 3e 3d 3c 3b 3a 39 38 37 36 35 34 33 32 31 30
2f 2e 2d 2c 2b 2a 29 28 27 26 25 24 23 22 21 20
1f 1e 1d 1c 1b 1a 19 18 17 16 15 14 13 12 11 10
```

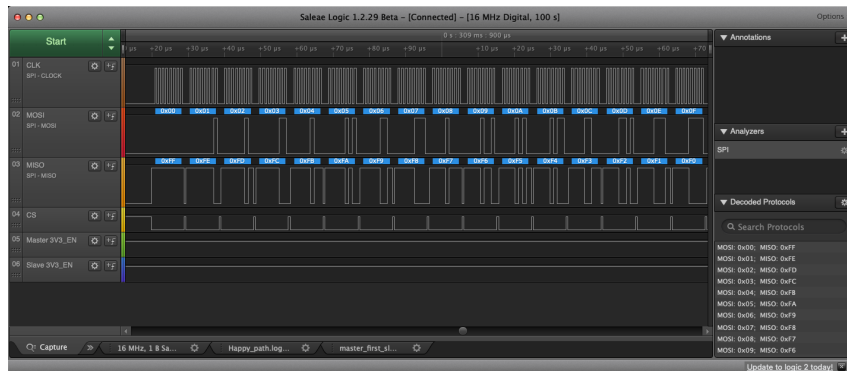
```

0f 0e 0d 0c 0b 0a 09 08 07 06 05 04 03 02 01 00
SPI slave says: read page 0 from the MOSI line:
00 01 02 03 04 05 06 07 08 09 0a 0b 0c 0d 0e 0f
10 11 12 13 14 15 16 17 18 19 1a 1b 1c 1d 1e 1f
20 21 22 23 24 25 26 27 28 29 2a 2b 2c 2d 2e 2f
30 31 32 33 34 35 36 37 38 39 3a 3b 3c 3d 3e 3f
40 41 42 43 44 45 46 47 48 49 4a 4b 4c 4d 4e 4f
50 51 52 53 54 55 56 57 58 59 5a 5b 5c 5d 5e 5f
60 61 62 63 64 65 66 67 68 69 6a 6b 6c 6d 6e 6f
70 71 72 73 74 75 76 77 78 79 7a 7b 7c 7d 7e 7f
80 81 82 83 84 85 86 87 88 89 8a 8b 8c 8d 8e 8f
90 91 92 93 94 95 96 97 98 99 9a 9b 9c 9d 9e 9f
a0 a1 a2 a3 a4 a5 a6 a7 a8 a9 aa ab ac ad ae af
b0 b1 b2 b3 b4 b5 b6 b7 b8 b9 ba bb bc bd be bf
c0 c1 c2 c3 c4 c5 c6 c7 c8 c9 ca cb cc cd ce cf
d0 d1 d2 d3 d4 d5 d6 d7 d8 d9 da db dc dd de df
e0 e1 e2 e3 e4 e5 e6 e7 e8 e9 ea eb ec ed ee ef
f0 f1 f2 f3 f4 f5 f6 f7 f8 f9 fa fb fc fd fe ff

```

If you look at the communication with a logic analyzer, you should see this:

Figure 29. Data capture as seen in Saleae Logic.



List of Files

CMakeLists.txt

CMake file to incorporate the example in to the examples build tree.

Pico Examples: https://github.com/raspberrypi/pico-examples/blob/master/spi/spi_master_slave/CMakeLists.txt

```

1 add_subdirectory(spi_master)
2 add_subdirectory(spi_slave)

```

spi_master/spi_master.c

The example code for SPI master.

Pico Examples: https://github.com/raspberrypi/pico-examples/blob/master/spi/spi_master_slave/spi_master/spi_master.c

```

1 // Copyright (c) 2021 Michael Stoops. All rights reserved.
2 // Portions copyright (c) 2021 Raspberry Pi (Trading) Ltd.
3 //
4 // Redistribution and use in source and binary forms, with or without modification, are
5 // permitted provided that the
6 // following conditions are met:
7 // 1. Redistributions of source code must retain the above copyright notice, this list of

```

```

    conditions and the following
8 // disclaimer.
9 // 2. Redistributions in binary form must reproduce the above copyright notice, this list of
conditions and the
10 // following disclaimer in the documentation and/or other materials provided with the
distribution.
11 // 3. Neither the name of the copyright holder nor the names of its contributors may be used to
endorse or promote
12 // products derived from this software without specific prior written permission.
13 //
14 // THIS SOFTWARE IS PROVIDED BY THE COPYRIGHT HOLDERS AND CONTRIBUTORS "AS IS" AND ANY EXPRESS
OR IMPLIED WARRANTIES,
15 // INCLUDING, BUT NOT LIMITED TO, THE IMPLIED WARRANTIES OF MERCHANTABILITY AND FITNESS FOR A
PARTICULAR PURPOSE ARE
16 // DISCLAIMED. IN NO EVENT SHALL THE COPYRIGHT HOLDER OR CONTRIBUTORS BE LIABLE FOR ANY DIRECT,
INDIRECT, INCIDENTAL,
17 // SPECIAL, EXEMPLARY, OR CONSEQUENTIAL DAMAGES (INCLUDING, BUT NOT LIMITED TO, PROCUREMENT OF
SUBSTITUTE GOODS OR
18 // SERVICES; LOSS OF USE, DATA, OR PROFITS; OR BUSINESS INTERRUPTION) HOWEVER CAUSED AND ON ANY
THEORY OF LIABILITY,
19 // WHETHER IN CONTRACT, STRICT LIABILITY, OR TORT (INCLUDING NEGLIGENCE OR OTHERWISE) ARISING
IN ANY WAY OUT OF THE
20 // USE OF THIS SOFTWARE, EVEN IF ADVISED OF THE POSSIBILITY OF SUCH DAMAGE.
21 //
22 // SPDX-License-Identifier: BSD-3-Clause
23 //
24 // Example of an SPI bus master using the PL022 SPI interface
25
26 #include <stdio.h>
27 #include "pico/stdlib.h"
28 #include "pico/binary_info.h"
29 #include "hardware/spi.h"
30
31 #define BUF_LEN      0x100
32
33 void printbuf(uint8_t buf[], size_t len) {
34     int i;
35     for (i = 0; i < len; ++i) {
36         if (i % 16 == 15)
37             printf("%02x\n", buf[i]);
38         else
39             printf("%02x ", buf[i]);
40     }
41
42     // append trailing newline if there isn't one
43     if (i % 16) {
44         putchar('\n');
45     }
46 }
47
48 int main() {
49     // Enable UART so we can print
50     stdio_init_all();
51     #if !defined(spi_default) || !defined(PICO_DEFAULT_SPI_SCK_PIN) ||
!defined(PICO_DEFAULT_SPI_TX_PIN) || !defined(PICO_DEFAULT_SPI_RX_PIN) ||
!defined(PICO_DEFAULT_SPI_CSN_PIN)
52     #warning spi/spi_master example requires a board with SPI pins
53     puts("Default SPI pins were not defined");
54 #else
55
56     printf("SPI master example\n");
57
58     // Enable SPI 0 at 1 MHz and connect to GPIOs
59     spi_init(spi_default, 1000 * 1000);

```

```

60     gpio_set_function(PICO_DEFAULT_SPI_RX_PIN, GPIO_FUNC_SPI);
61     gpio_set_function(PICO_DEFAULT_SPI_SCK_PIN, GPIO_FUNC_SPI);
62     gpio_set_function(PICO_DEFAULT_SPI_TX_PIN, GPIO_FUNC_SPI);
63     gpio_set_function(PICO_DEFAULT_SPI_CSN_PIN, GPIO_FUNC_SPI);
64     // Make the SPI pins available to picotool
65     bi_decl(bi_4pins_with_func(PICO_DEFAULT_SPI_RX_PIN, PICO_DEFAULT_SPI_TX_PIN,
        PICO_DEFAULT_SPI_SCK_PIN, PICO_DEFAULT_SPI_CSN_PIN, GPIO_FUNC_SPI));
66
67     uint8_t out_buf[BUF_LEN], in_buf[BUF_LEN];
68
69     // Initialize output buffer
70     for (size_t i = 0; i < BUF_LEN; ++i) {
71         out_buf[i] = i;
72     }
73
74     printf("SPI master says: The following buffer will be written to MOSI endlessly:\n");
75     printf(buf, out_buf, BUF_LEN);
76
77     for (size_t i = 0; ; ++i) {
78         // Write the output buffer to MOSI, and at the same time read from MISO.
79         spi_write_read_blocking(spi_default, out_buf, in_buf, BUF_LEN);
80
81         // Write to stdio whatever came in on the MISO line.
82         printf("SPI master says: read page %d from the MISO line:\n", i);
83         printf(buf, in_buf, BUF_LEN);
84
85         // Sleep for ten seconds so you get a chance to read the output.
86         sleep_ms(10 * 1000);
87     }
88 #endif
89 }

```

spi_slave/spi_slave.c

The example code for SPI slave.

Pico Examples: https://github.com/raspberrypi/pico-examples/blob/master/spi/spi_master_slave/spi_slave/spi_slave.c

```

1  // Copyright (c) 2021 Michael Stoops. All rights reserved.
2  // Portions copyright (c) 2021 Raspberry Pi (Trading) Ltd.
3  //
4  // Redistribution and use in source and binary forms, with or without modification, are
5  permitted provided that the
6  following conditions are met:
7  //
8  // 1. Redistributions of source code must retain the above copyright notice, this list of
9  conditions and the following
10 disclaimer.
11 // 2. Redistributions in binary form must reproduce the above copyright notice, this list of
12 conditions and the
13 following disclaimer in the documentation and/or other materials provided with the
14 distribution.
15 // 3. Neither the name of the copyright holder nor the names of its contributors may be used to
16 endorse or promote
17 products derived from this software without specific prior written permission.
18 //
19 // THIS SOFTWARE IS PROVIDED BY THE COPYRIGHT HOLDERS AND CONTRIBUTORS "AS IS" AND ANY EXPRESS
20 OR IMPLIED WARRANTIES,
21 // INCLUDING, BUT NOT LIMITED TO, THE IMPLIED WARRANTIES OF MERCHANTABILITY AND FITNESS FOR A
22 PARTICULAR PURPOSE ARE
23 DISCLAIMED. IN NO EVENT SHALL THE COPYRIGHT HOLDER OR CONTRIBUTORS BE LIABLE FOR ANY DIRECT,
24 INDIRECT, INCIDENTAL,
25 // SPECIAL, EXEMPLARY, OR CONSEQUENTIAL DAMAGES (INCLUDING, BUT NOT LIMITED TO, PROCUREMENT OF

```

```

    SUBSTITUTE GOODS OR
18 // SERVICES; LOSS OF USE, DATA, OR PROFITS; OR BUSINESS INTERRUPTION) HOWEVER CAUSED AND ON ANY
    THEORY OF LIABILITY,
19 // WHETHER IN CONTRACT, STRICT LIABILITY, OR TORT (INCLUDING NEGLIGENCE OR OTHERWISE) ARISING
    IN ANY WAY OUT OF THE
20 // USE OF THIS SOFTWARE, EVEN IF ADVISED OF THE POSSIBILITY OF SUCH DAMAGE.
21 //
22 // SPDX-License-Identifier: BSD-3-Clause
23 //
24 // Example of an SPI bus slave using the PL022 SPI interface
25
26 #include <stdio.h>
27 #include <string.h>
28 #include "pico/stdlib.h"
29 #include "pico/binary_info.h"
30 #include "hardware/spi.h"
31
32 #define BUF_LEN      0x100
33
34 void printbuf(uint8_t buf[], size_t len) {
35     int i;
36     for (i = 0; i < len; ++i) {
37         if (i % 16 == 15)
38             printf("%02x\n", buf[i]);
39         else
40             printf("%02x ", buf[i]);
41     }
42
43     // append trailing newline if there isn't one
44     if (i % 16) {
45         putchar('\n');
46     }
47 }
48
49
50 int main() {
51     // Enable UART so we can print
52     stdio_init_all();
53     #if !defined(spi_default) || !defined(PICO_DEFAULT_SPI_SCK_PIN) ||
    !defined(PICO_DEFAULT_SPI_TX_PIN) || !defined(PICO_DEFAULT_SPI_RX_PIN) ||
    !defined(PICO_DEFAULT_SPI_CSN_PIN)
54     #warning spi/spi_slave example requires a board with SPI pins
55     puts("Default SPI pins were not defined");
56     #else
57
58     printf("SPI slave example\n");
59
60     // Enable SPI 0 at 1 MHz and connect to GPIOs
61     spi_init(spi_default, 1000 * 1000);
62     spi_set_slave(spi_default, true);
63     gpio_set_function(PICO_DEFAULT_SPI_RX_PIN, GPIO_FUNC_SPI);
64     gpio_set_function(PICO_DEFAULT_SPI_SCK_PIN, GPIO_FUNC_SPI);
65     gpio_set_function(PICO_DEFAULT_SPI_TX_PIN, GPIO_FUNC_SPI);
66     gpio_set_function(PICO_DEFAULT_SPI_CSN_PIN, GPIO_FUNC_SPI);
67     // Make the SPI pins available to picotool
68     bi_decl(bi_4pins_with_func(PICO_DEFAULT_SPI_RX_PIN, PICO_DEFAULT_SPI_TX_PIN,
    PICO_DEFAULT_SPI_SCK_PIN, PICO_DEFAULT_SPI_CSN_PIN, GPIO_FUNC_SPI));
69
70     uint8_t out_buf[BUF_LEN], in_buf[BUF_LEN];
71
72     // Initialize output buffer
73     for (size_t i = 0; i < BUF_LEN; ++i) {
74         // bit-inverted from i. The values should be: {0xff, 0xfe, 0xfd...}
75         out_buf[i] = ~i;

```

```

76     }
77
78     printf("SPI slave says: When reading from MOSI, the following buffer will be written to
MISO:\n");
79     printf(out_buf, BUF_LEN);
80
81     for (size_t i = 0; ; ++i) {
82         // Write the output buffer to MISO, and at the same time read from MOSI.
83         spi_write_read_blocking(spi_default, out_buf, in_buf, BUF_LEN);
84
85         // Write to stdio whatever came in on the MOSI line.
86         printf("SPI slave says: read page %d from the MOSI line:\n", i);
87         printf(in_buf, BUF_LEN);
88     }
89 #endif
90 }

```

Bill of Materials

Table 27. A list of materials required for the example

Item	Quantity	Details
Breadboard	1	generic part
Raspberry Pi Pico	2	https://www.raspberrypi.com/products/raspberry-pi-pico/
M/M Jumper wires	8	generic part

Appendix B: SDK configuration

SDK configuration is the process of customising the SDK code for your particular build/application. As the parts of the SDK that you use are recompiled as part of your build, configuration options can be chosen at compile time resulting in smaller and more efficient customized versions of the code.

This chapter will show what configuration parameters are available, and how they can be changed.

SDK configuration parameters are passed as C preprocessor definitions to the build. The most common way to override them is to specify them in your `CMakeLists.txt` when you define your executable or library:

e.g.

```
add_executable(my_program main.c)
...
target_compile_definitions(my_program PRIVATE
    PICO_STACK_SIZE=4096
)
```

or if you are creating a library, and you want to add compile definitions whenever your library is included:

```
add_library(my_library INTERFACE)
...
target_compile_definitions(my_library INTERFACE
    PICO_STDIO_DEFAULT_CRLF=0
    PICO_DEFAULT_UART=1
)
```

The definitions can also be overridden in header files, as is commonly done for board configuration (see [Appendix D](#)).

For example, the Pimoroni Tiny2040 board header configures the following to specify appropriate board settings for the default I2C channel exposed on that board.

```
// --- I2C ---
#ifndef PICO_DEFAULT_I2C
#define PICO_DEFAULT_I2C 1
#endif
#ifndef PICO_DEFAULT_I2C_SDA_PIN
#define PICO_DEFAULT_I2C_SDA_PIN 2
#endif
#ifndef PICO_DEFAULT_I2C_SCL_PIN
#define PICO_DEFAULT_I2C_SCL_PIN 3
#endif
```

i NOTE

The `#ifndef` allows these values to still be overridden by the build (i.e. in `CMakeLists.txt`)

If you would rather set values in your own header file rather than via `CMake`, then you must make sure the header is included by all compilation (including the SDK sources). Using a custom `PICO_BOARD` header is one way of doing this, but a more advanced way is to have the SDK include your header via `pico/config.h` which itself is included by every SDK source file.

This can be done by adding the following before the `pico_sdk_init()` in your `CMakeLists.txt`:

```
list(APPEND PICO_CONFIG_HEADER_FILES path/to/your/header.h)
```

Configuration Parameters

Table 28. SDK and Board Configuration Parameters

Parameter name	Defined in	Default	Description
CYW43_TASK_PRIORITY	arch_freertos.h	tskIDLE_PRIORITY + 4	Priority for the CYW43 FreeRTOS task
CYW43_TASK_STACK_SIZE	arch_freertos.h	1024	Stack size for the CYW43 FreeRTOS task in 4-byte words
GPIO_IRQ_CALLBACK_ORDER_PRIORITY	gpio.h	PICO_SHARED_IRQ_HANDLER_LOWEST_ORDER_PRIORITY	the irq priority order of the default IRQ callback
GPIO_RAW_IRQ_HANDLER_DEFAULT_ORDER_PRIORITY	gpio.h	PICO_SHARED_IRQ_HANDLER_DEFAULT_ORDER_PRIORITY	the irq priority order of raw IRQ handlers if the priority is not specified
PARAM_ASSERTIONS_DISABLE_ALL	assert.h	0	Global assert disable
PARAM_ASSERTIONS_ENABLED_ADC	adc.h	0	Enable/disable assertions in the ADC module
PARAM_ASSERTIONS_ENABLED_ADDRESS_ALIAS	address_mapped.h	0	Enable/disable assertions in memory address aliasing macros
PARAM_ASSERTIONS_ENABLED_CLOCKS	clocks.h	0	Enable/disable assertions in the clocks module
PARAM_ASSERTIONS_ENABLED_CYW43_ARCH	cyw43_arch.h	0	Enable/disable assertions in the <code>pico_cyw43_arch</code> module
PARAM_ASSERTIONS_ENABLED_DMA	dma.h	0	Enable/disable DMA assertions
PARAM_ASSERTIONS_ENABLED_EXCEPTION	exception.h	0	Enable/disable assertions in the exception module
PARAM_ASSERTIONS_ENABLED_FLASH	flash.h	0	Enable/disable assertions in the flash module
PARAM_ASSERTIONS_ENABLED_GPIO	gpio.h	0	Enable/disable assertions in the GPIO module
PARAM_ASSERTIONS_ENABLED_I2C	i2c.h	0	Enable/disable assertions in the I2C module
PARAM_ASSERTIONS_ENABLED_INTERP	interp.h	0	Enable/disable assertions in the interpolation module
PARAM_ASSERTIONS_ENABLED_IRQ	irq.h	0	Enable/disable assertions in the IRQ module

Parameter name	Defined in	Default	Description
PARAM_ASSERTIONS_ENABLED_LOCK_CORE	lock_core.h	0	Enable/disable assertions in the lock core
PARAM_ASSERTIONS_ENABLED_PHEAP	pheap.h	0	Enable/disable assertions in the pheap module
PARAM_ASSERTIONS_ENABLED_PIO	pio.h	0	Enable/disable assertions in the PIO module
PARAM_ASSERTIONS_ENABLED_PIO_INSTRUCTIONS	pio_instructions.h	0	Enable/disable assertions in the PIO instructions
PARAM_ASSERTIONS_ENABLED_PWM	pwm.h	0	Enable/disable assertions in the PWM module
PARAM_ASSERTIONS_ENABLED_SPI	spi.h	0	Enable/disable assertions in the SPI module
PARAM_ASSERTIONS_ENABLED_SYNC	sync.h	0	Enable/disable assertions in the HW sync module
PARAM_ASSERTIONS_ENABLED_TIME	time.h	0	Enable/disable assertions in the time module
PARAM_ASSERTIONS_ENABLED_TIMER	timer.h	0	Enable/disable assertions in the timer module
PARAM_ASSERTIONS_ENABLED_UART	uart.h	0	Enable/disable assertions in the UART module
PARAM_ASSERTIONS_ENABLE_ALL	assert.h	0	Global assert enable
PICO_BOOTSEL_VIA_DOUBLE_RESET_ACTIVITY_LED	pico_bootsel_via_double_reset.c		Optionally define a pin to use as bootloader activity LED when BOOTSEL mode is entered via reset double tap
PICO_BOOTSEL_VIA_DOUBLE_RESET_INTERFACE_DISABLE_MASK	pico_bootsel_via_double_reset.c	0	Optionally disable either the mass storage interface (bit 0) or the PICOBOT interface (bit 1) when entering BOOTSEL mode via double reset
PICO_BOOTSEL_VIA_DOUBLE_RESET_TIMEOUT_MS	pico_bootsel_via_double_reset.c	200	Window of opportunity for a second press of a reset button to enter BOOTSEL mode (milliseconds)
PICO_BOOT_STAGE2_CHOOSE_AT25SF128A	config.h	0	Select boot2_at25sf128a as the boot stage 2 when no boot stage 2 selection is made by the CMake build
PICO_BOOT_STAGE2_CHOOSE_GENERIC_03H	config.h	1	Select boot2_generic_03h as the boot stage 2 when no boot stage 2 selection is made by the CMake build
PICO_BOOT_STAGE2_CHOOSE_IS25LP080	config.h	0	Select boot2_is25lp080 as the boot stage 2 when no boot stage 2 selection is made by the CMake build
PICO_BOOT_STAGE2_CHOOSE_W25Q080	config.h	0	Select boot2_w25q080 as the boot stage 2 when no boot stage 2 selection is made by the CMake build

Parameter name	Defined in	Default	Description
PICO_BOOT_STAGE2_CHOOSE_W25X10CL	config.h	0	Select boot2_w25x10cl as the boot stage 2 when no boot stage 2 selection is made by the CMake build
PICO_BUILD_BOOT_STAGE2_NAME	config.h		The name of the boot stage 2 if selected by the build
PICO_CLOCK_AJDUST_PERI_CLOCK_WITH_SYS_CLOCK	stdlib.c	0	When the SYS clock PLL is changed keep the peripheral clock attached to it
PICO_CMSIS_RENAME_EXCEPTIONS	rename_exceptions.h	1	Whether to rename SDK exceptions such as isr_nmi to their CMSIS equivalent i.e. NMI_Handler
PICO_CONFIG_HEADER	pico.h		unquoted path to header include in place of the default pico/config.h which may be desirable for build systems which can't easily generate the config_autogen header
PICO_CONFIG_RTOS_ADAPTER_HEADER	config.h		unquoted path to header include in the default pico/config.h for RTOS integration defines that must be included in all sources
PICO_CORE1_STACK_SIZE	multicore.h	PICO_STACK_SIZE (0x800)	Stack size for core 1
PICO_CYW43_ARCH_DEBUG_ENABLED	cyw43_arch.h	1 in debug builds	Enable/disable some debugging output in the pico_cyw43_arch module
PICO_CYW43_ARCH_DEFAULT_COUNTRY_CODE	cyw43_arch.h	CYW43_COUNTRY_WORLWIDE	Default country code for the cyw43 wireless driver
PICO_DEBUG_MALLOC	malloc.h	0	Enable/disable debug printf from malloc
PICO_DEBUG_MALLOC_LOW_WATER	malloc.h	0	Define the lower bound for allocation addresses to be printed by PICO_DEBUG_MALLOC
PICO_DEBUG_PIN_BASE	gpio.h	19	First pin to use for debug output (if enabled)
PICO_DEBUG_PIN_COUNT	gpio.h	3	Number of pins to use for debug output (if enabled)
PICO_DEFAULT_I2C	i2c.h		Define the default I2C for a board
PICO_DEFAULT_I2C_SCL_PIN	i2c.h		Define the default I2C SCL pin
PICO_DEFAULT_I2C_SDA_PIN	i2c.h		Define the default I2C SDA pin
PICO_DEFAULT_IRQ_PRIORITY	irq.h	0x80	Define the default IRQ priority
PICO_DEFAULT_LED_PIN	stdlib.h		Optionally define a pin that drives a regular LED on the board
PICO_DEFAULT_LED_PIN_INVERTED	stdlib.h	0	1 if LED is inverted or 0 if not
PICO_DEFAULT_SPI	spi.h		Define the default SPI for a board
PICO_DEFAULT_SPI_CSN_PIN	spi.h		Define the default SPI CSN pin

Parameter name	Defined in	Default	Description
PICO_DEFAULT_SPI_RX_PIN	spi.h		Define the default SPI RX pin
PICO_DEFAULT_SPI_SCK_PIN	spi.h		Define the default SPI SCK pin
PICO_DEFAULT_SPI_TX_PIN	spi.h		Define the default SPI TX pin
PICO_DEFAULT_UART	uart.h		Define the default UART used for printf etc
PICO_DEFAULT_UART_BAUD_RATE	uart.h	115200	Define the default UART baudrate
PICO_DEFAULT_UART_RX_PIN	uart.h		Define the default UART RX pin
PICO_DEFAULT_UART_TX_PIN	uart.h		Define the default UART TX pin
PICO_DEFAULT_WS2812_PIN	stdlib.h		Optionally define a pin that controls data to a WS2812 compatible LED on the board
PICO_DEFAULT_WS2812_POWER_PIN	stdlib.h		Optionally define a pin that controls power to a WS2812 compatible LED on the board
PICO_DISABLE_SHARED_IRQ_HANDLERS	irq.h	0	Disable shared IRQ handlers
PICO_DOUBLE_SUPPORT_ROM_V1	platform.h	1	Include double support code for RP2040 B0 when that chip revision is supported
PICO_FLASH_ASSERT_ON_UNSAFE	flash.h	1	Assert in debug mode rather than returning an error if flash_safe_execute cannot guarantee safety to catch bugs early
PICO_FLASH_ASSUME_CORE0_SAFE	flash.h	0	Assume that core 0 will never be accessing flash and so doesn't need to be considered during flash_safe_execute
PICO_FLASH_ASSUME_CORE1_SAFE	flash.h	0	Assume that core 1 will never be accessing flash and so doesn't need to be considered during flash_safe_execute
PICO_FLASH_BANK_STORAGE_OFFSET	btstack_flash_bank.h	PICO_FLASH_SIZE_BYTES - PICO_FLASH_BANK_TOTAL_SIZE	Offset in flash of the Bluetooth flash storage
PICO_FLASH_BANK_TOTAL_SIZE	btstack_flash_bank.h	FLASH_SECTOR_SIZE * 2	Total size of the Bluetooth flash storage. Must be an even multiple of FLASH_SECTOR_SIZE
PICO_FLASH_SAFE_EXECUTE_PICO_SUPPORT_MULTICORE_LOCKOUT	flash.h	1 when using pico_multicore	Support using multicore_lockout functions to make the other core safe during flash_safe_execute
PICO_FLASH_SAFE_EXECUTE_SUPPORT_FREERTOS_SMP	flash.h	1 when using FreeRTOS SMP	Support using FreeRTOS SMP to make the other core safe during flash_safe_execute
PICO_FLASH_SIZE_BYTES	flash.h		size of primary flash in bytes

Parameter name	Defined in	Default	Description
PICO_FLOAT_SUPPORT_ROM_V1	platform.h	1	Include float support code for RP2040 B0 when that chip revision is supported
PICO_HEAP_SIZE	platform.h	0x800	Heap size to reserve
PICO_MALLOC_PANIC	malloc.h	1	Enable/disable panic when an allocation failure occurs
PICO_MAX_SHARED_IRQ_HANDLERS	irq.h	4	Maximum number of shared IRQ handlers
PICO_NO_FPGA_CHECK	platform.h	0	Remove the FPGA platform check for small code size reduction
PICO_NO_RAM_VECTOR_TABLE	platform.h	0	Enable/disable the RAM vector table
PICO_PANIC_FUNCTION	runtime.c		Name of a function to use in place of the stock panic function or empty string to simply breakpoint on panic
PICO_PHEAP_MAX_ENTRIES	pheap.h	255	Maximum number of entries in the pheap
PICO_PRINTF_ALWAYS_INCLUDED	printf.h	1 in debug build 0 otherwise	Whether to always include printf code even if only called weakly (by panic)
PICO_PRINTF_DEFAULT_FLOAT_PRECISION	printf.c	6	Define default floating point precision
PICO_PRINTF_FTOA_BUFFER_SIZE	printf.c	32	Define printf ftoa buffer size
PICO_PRINTF_MAX_FLOAT	printf.c	1e9	Define the largest float suitable to print with %f
PICO_PRINTF_NTOA_BUFFER_SIZE	printf.c	32	Define printf ntoa buffer size
PICO_PRINTF_SUPPORT_EXPONENTIAL	printf.c	1	Enable exponential floating point printing
PICO_PRINTF_SUPPORT_FLOAT	printf.c	1	Enable floating point printing
PICO_PRINTF_SUPPORT_LONG_LONG	printf.c	1	Enable support for long long types (%llu or %p)
PICO_PRINTF_SUPPORT_PTRDIFF_T	printf.c	1	Enable support for the ptrdiff_t type (%t)
PICO_QUEUE_MAX_LEVEL	queue.h	0	Maintain a field for the highest level that has been reached by a queue
PICO_RAND_BUS_PERF_COUNTER_EVENT	rand.h	arbiter_sram5_perf_event_access	Bus performance counter event to use for sourcing entropy
PICO_RAND_BUS_PERF_COUNTER_INDEX	rand.h		Bus performance counter index to use for sourcing entropy
PICO_RAND_ENTROPY_SRC_BUS_PERF_COUNTER	rand.h	1	Enable/disable use of a bus performance counter as an entropy source
PICO_RAND_ENTROPY_SRC_ROSC	rand.h	1	Enable/disable use of ROSC as an entropy source

Parameter name	Defined in	Default	Description
PICO_RAND_ENTROPY_SRC_TIME	rand.h	1	Enable/disable use of hardware timestamp as an entropy source
PICO_RAND_MIN_ROSC_BIT_SAMPLE_TIME_US	rand.h	10	Define a default minimum time between sampling the ROSC random bit
PICO_RAND_RAM_HASH_END	rand.h	SRAM_END	end of address in RAM (non-inclusive) to hash during pico_rand seed initialization
PICO_RAND_RAM_HASH_START	rand.h	PICO_RAND_RAM_HASH_END - 1024	start of address in RAM (inclusive) to hash during pico_rand seed initialization
PICO_RAND_ROSC_BIT_SAMPLE_COUNT	rand.h	1	Number of samples to take of the ROSC random bit per random number generation
PICO_RAND_SEED_ENTROPY_SRC_BOARD_ID	rand.h	1	Enable/disable use of board id as part of the random seed
PICO_RAND_SEED_ENTROPY_SRC_RAM_HASH	rand.h	1	Enable/disable use of a RAM hash as an entropy source for the random seed
PICO_RAND_SEED_ENTROPY_SRC_ROSC	rand.h	1	Enable/disable use of ROSC as an entropy source for the random seed
PICO_RAND_SEED_ENTROPY_SRC_TIME	rand.h	1	Enable/disable use of hardware timestamp as an entropy source for the random seed
PICO_RP2040_B0_SUPPORTED	platform.h	1	Whether to include any specific software support for RP2040 B0 revision
PICO_RP2040_B1_SUPPORTED	platform.h	1	Whether to include any specific software support for RP2040 B1 revision
PICO_RP2040_B2_SUPPORTED	platform.h	1	Whether to include any specific software support for RP2040 B2 revision
PICO_SHARED_IRQ_HANDLER_DEFAULT_ORDER_PRIORITY	irq.h	0x80	Set default shared IRQ order priority
PICO_SPINLOCK_ID_CLAIM_FREE_FIRST	sync.h	24	Lowest Spinlock ID in the 'claim free' range
PICO_SPINLOCK_ID_CLAIM_FREE_LAST	sync.h	31	Highest Spinlock ID in the 'claim free' range
PICO_SPINLOCK_ID_HARDWARE_CLAIM	sync.h	11	Spinlock ID for Hardware claim protection
PICO_SPINLOCK_ID_IRQ	sync.h	9	Spinlock ID for IRQ protection
PICO_SPINLOCK_ID_OS1	sync.h	14	First Spinlock ID reserved for use by low level OS style software

Parameter name	Defined in	Default	Description
PICO_SPINLOCK_ID_OS2	sync.h	15	Second Spinlock ID reserved for use by low level OS style software
PICO_SPINLOCK_ID_RAND	sync.h	12	Spinlock ID for Random Number Generator
PICO_SPINLOCK_ID_STRIPED_FIRST	sync.h	16	Lowest Spinlock ID in the 'striped' range
PICO_SPINLOCK_ID_STRIPED_LAST	sync.h	23	Highest Spinlock ID in the 'striped' range
PICO_SPINLOCK_ID_TIMER	sync.h	10	Spinlock ID for Timer protection
PICO_STACK_SIZE	platform.h	0x800	Stack Size
PICO_STDIO_DEADLOCK_TIMEOUT_MS	stdio.h	1000	Time after which to assume <code>stdio_usb</code> is deadlocked by use in IRQ and give up
PICO_STDIO_DEFAULT_CRLF	stdio.h	1	Default for CR/LF conversion enabled on all stdio outputs
PICO_STDIO_ENABLE_CRLF_SUPPORT	stdio.h	1	Enable/disable CR/LF output conversion support
PICO_STDIO_SEMIHOSTING_DEFAULT_CRLF	stdio_semihosting.h	PICO_STDIO_DEFAULT_CRLF	Default state of CR/LF translation for semihosting output
PICO_STDIO_STACK_BUFFER_SIZE	stdio.h	128	Define <code>printf</code> buffer size (on stack)... this is just a working buffer not a max output size
PICO_STDIO_UART_DEFAULT_CRLF	stdio_uart.h	PICO_STDIO_DEFAULT_CRLF	Default state of CR/LF translation for UART output
PICO_STDIO_UART_SUPPORT_CHARS_AVAILABLE_CALLBACK	stdio_uart.h	1	Enable UART STDIO support for <code>stdio_set_chars_available_callback</code> . Can be disabled to make use of the uart elsewhere
PICO_STDIO_USB_CONNECTION_WAIT_TIMEOUT_DTR	stdio_usb.h	0	Disable use of DTR for connection checking meaning connection is assumed to be valid
PICO_STDIO_USB_CONNECT_WAIT_TIMEOUT_MS	stdio_usb.h	0	Maximum number of milliseconds to wait during initialization for a CDC connection from the host (negative means indefinite) during initialization
PICO_STDIO_USB_DEFAULT_CRLF	stdio_usb.h	PICO_STDIO_DEFAULT_CRLF	Default state of CR/LF translation for USB output
PICO_STDIO_USB_DEVICE_SELF_POWERED	stdio_usb.h	0	Set USB device as self powered device
PICO_STDIO_USB_ENABLE_RESET_VIA_BAUD_RATE	stdio_usb.h	1	Enable/disable resetting into BOOTSEL mode if the host sets the baud rate to a magic value (<code>PICO_STDIO_USB_RESET_MAGIC_BAUD_RATE</code>)

Parameter name	Defined in	Default	Description
PICO_STDIO_USB_ENABLE_RESET_VIA_VENDOR_INTERFACE	stdio_usb.h	1	Enable/disable resetting into BOOTSEL mode via an additional VENDOR USB interface - enables picotool based reset
PICO_STDIO_USB_LOW_PRIORITY_IRQ	stdio_usb.h		Explicit User IRQ number to claim for tud_task() background execution instead of letting the implementation pick a free one dynamically (deprecated)
PICO_STDIO_USB_POST_CONNECT_WAIT_DELAY_MS	stdio_usb.h	50	Number of extra milliseconds to wait when using PICO_STDIO_USB_CONNECT_WAIT_TIMEOUT_MS after a host CDC connection is detected (some host terminals seem to sometimes lose transmissions sent right after connection)
PICO_STDIO_USB_RESET_BOOTSEL_ACTIVITY_LED	stdio_usb.h		Optionally define a pin to use as bootloader activity LED when BOOTSEL mode is entered via USB (either VIA_BAUD_RATE or VIA_VENDOR_INTERFACE)
PICO_STDIO_USB_RESET_BOOTSEL_FIXED_ACTIVITY_LED	stdio_usb.h	0	Whether the pin specified by PICO_STDIO_USB_RESET_BOOTSEL_ACTIVITY_LED is fixed or can be modified by picotool over the VENDOR USB interface
PICO_STDIO_USB_RESET_BOOTSEL_INTERFACE_DISABLE_MASK	stdio_usb.h	0	Optionally disable either the mass storage interface (bit 0) or the PICOBOOT interface (bit 1) when entering BOOTSEL mode via USB (either VIA_BAUD_RATE or VIA_VENDOR_INTERFACE)
PICO_STDIO_USB_RESET_INTERFACE_SUPPORT_RESET_TO_BOOTSEL	stdio_usb.h	1	If vendor reset interface is included allow rebooting to BOOTSEL mode
PICO_STDIO_USB_RESET_INTERFACE_SUPPORT_RESET_TO_FLASH_BOOT	stdio_usb.h	1	If vendor reset interface is included allow rebooting with regular flash boot
PICO_STDIO_USB_RESET_MAGIC_BAUD_RATE	stdio_usb.h	1200	baud rate that if selected causes a reset into BOOTSEL mode (if PICO_STDIO_USB_ENABLE_RESET_VIA_BAUD_RATE is set)
PICO_STDIO_USB_RESET_RESET_TO_FLASH_DELAY_MS	stdio_usb.h	100	delays in ms before rebooting via regular flash boot
PICO_STDIO_USB_STDOUT_TIMEOUT_US	stdio_usb.h	500000	Number of microseconds to be blocked trying to write USB output before assuming the host has disappeared and discarding data

Parameter name	Defined in	Default	Description
PICO_STDIO_USB_SUPPORT_CHARS_AVAILABLE_CALLBACK	stdio_usb.h	1	Enable USB STDIO support for <code>stdio_set_chars_available_callback</code> . Can be disabled to make use of USB CDC RX callback elsewhere
PICO_STDIO_USB_TASK_INTERVAL_US	stdio_usb.h	1000	Period of microseconds between calling <code>tud_task</code> in the background
PICO_STDOUT_MUTEX	stdio.h	1	Enable/disable mutex around <code>stdout</code>
PICO_TIME_DEFAULT_ALARM_POOL_DISABLED	time.h	0	Disable the default alarm pool
PICO_TIME_DEFAULT_ALARM_POOL_HARDWARE_ALARM_NUM	time.h	3	Select which HW alarm is used for the default alarm pool
PICO_TIME_DEFAULT_ALARM_POOL_MAX_TIMERS	time.h	16	Selects the maximum number of concurrent timers in the default alarm pool
PICO_TIME_SLEEP_OVERHEAD_ADJUST_US	time.h	6	How many microseconds to wake up early (and then <code>busy_wait</code>) to account for timer overhead when sleeping in low power mode
PICO_UART_DEFAULT_CRLF	uart.h	0	Enable/disable CR/LF translation on UART
PICO_UART_ENABLE_CRLF_SUPPORT	uart.h	1	Enable/disable CR/LF translation support
PICO_USE_MALLOC_MUTEX	malloc.h	1 with <code>pico_multicore</code> , 0 otherwise	Whether to protect <code>malloc</code> etc with a mutex
PICO_VTABLE_PER_CORE	irq.h	0	user is using separate vector tables per core
PICO_XOSC_STARTUP_DELAY_MULTIPLIER	xosc.h	1	Multiplier to lengthen <code>xosc</code> startup delay to accommodate slow-starting oscillators
PLL_COMMON_REFDIV	clocks.h	1	PLL reference divider setting - used for both PLLs
PLL_SYS_POSTDIV1	clocks.h	6	System clock PLL post divider 1 setting
PLL_SYS_POSTDIV2	clocks.h	2	System clock PLL post divider 2 setting
PLL_SYS_VCO_FREQ_KHZ	clocks.h	1500 * KHZ	System clock PLL frequency
PLL_USB_POSTDIV1	clocks.h	5	USB clock PLL post divider 1 setting
PLL_USB_POSTDIV2	clocks.h	5	USB clock PLL post divider 2 setting
PLL_USB_VCO_FREQ_KHZ	clocks.h	1200 * KHZ	USB clock PLL frequency
SYS_CLK_KHZ	platform_defs.h	125000	The system operating frequency in kHz

Parameter name	Defined in	Default	Description
USB_CLK_KHZ	platform_defs.h	48000	USB clock frequency. Must be 48MHz for the USB interface to operate correctly
USB_DPRAM_MAX	usb.h	4096	Set amount of USB RAM used by USB system
XOSC_KHZ	platform_defs.h	12000	The crystal oscillator frequency in kHz

Appendix C: CMake build configuration

CMake configuration variables can be used to customize the way the SDK performs builds

Configuration Parameters

Table 29. CMake Configuration Variables

Parameter name	Defined in	Default	Description
PICO_BARE_METAL	CMakeLists.txt	0	Flag to exclude anything except base headers from the build
PICO_BOARD	board_setup.cmake	pico	The board name being built for. This is overridable from the user environment
PICO_BOARD_CMAKE_DIRS	board_setup.cmake	""	Directories to look for <PICO_BOARD>.cmake in. This is overridable from the user environment
PICO_BOARD_HEADER_DIRS	generic_board.cmake	""	Directories to look for <PICO_BOARD>.h in. This is overridable from the user environment
PICO_CMAKE_RELOAD_PLATFORM_FILE	pico_pre_load_platform.cmake	none	custom CMake file to use to set up the platform environment
PICO_COMPILER	pico_pre_load_toolchain.cmake	none	Optionally specifies a different compiler (other than <code>pico_arm_gcc.cmake</code>) - this is not yet fully supported
PICO_CONFIG_HEADER_FILES	CMakeLists.txt	""	List of extra header files to include from <code>pico/config.h</code> for all platforms
PICO_CONFIG_HOST_HEADER_FILES	CMakeLists.txt	""	List of extra header files to include from <code>pico/config.h</code> for host platform
PICO_CONFIG_RP2040_HEADER_FILES	CMakeLists.txt	""	List of extra header files to include from <code>pico/config.h</code> for rp2040 platform
PICO_CXX_ENABLE_CXA_ATEXIT	CMakeLists.txt	0	Enabled <code>cxa-atexit</code>
PICO_CXX_ENABLE_EXCEPTIONS	CMakeLists.txt	0	Enabled CXX exception handling
PICO_CXX_ENABLE_RTTI	CMakeLists.txt	0	Enabled CXX rtti
PICO_DEFAULT_BOOT_STAGE2_FILE	CMakeLists.txt	... /boot2_w25q080.S	Default stage2 file to use unless overridden by <code>pico_set_boot_stage2</code> on the TARGET
PICO_NO_GC_SECTIONS	CMakeLists.txt	0	Disable <code>-ffunction-sections -fdata-sections</code> and <code>--gc-sections</code>
PICO_NO_HARDWARE	rp2_common.cmake	1 for PICO_PLATFORM host 0 otherwise	OPTION: Whether the build is not targeting an RP2040 device

Parameter name	Defined in	Default	Description
PICO_NO_TARGET_NAME	rp2_common.cmake	0	Don't defined PICO_TARGET_NAME
PICO_NO_UF2	rp2_common.cmake	0	Disable UF2 output
PICO_ON_DEVICE	rp2_common.cmake	0 for PICO_PLATFORM host 1 otherwise	OPTION: Whether the build is targeting an RP2040 device
PICO_PLATFORM	pico_pre_load_platform.cmake	rp2040 or environment value	platform to build for e.g. rp2040/host
PICO_STDIO_SEMIHOSTING	CMakeLists.txt	0	OPTION: Globally enable stdio semihosting
PICO_STDIO_UART	CMakeLists.txt	1	OPTION: Globally enable stdio UART
PICO_STDIO_USB	CMakeLists.txt	0	OPTION: Globally enable stdio USB
PICO_TOOLCHAIN_PATH	pico_pre_load_toolchain.cmake	none (i.e. search system paths)	Path to search for compiler

Control of binary type produced (advanced)

These variables control how executables for RP2040 are laid out in memory. The default is for the code and data to be entirely stored in flash with writable data (and some specifically marked) methods to copied into RAM at startup.

PICO_DEFAULT_BINARY_TYPE	default	The default is flash binaries which are stored in and run from flash.
	no_flash	This option selects a RAM only binaries, that does not require any flash. Note: this type of binary must be loaded on each device reboot via a UF2 file or from the debugger.
	copy_to_ram	This option selects binaries which are stored in flash, but copy themselves to RAM before executing.
	blocked_ram	
PICO_NO_FLASH*	0 / 1	Equivalent to PICO_DEFAULT_BINARY_TYPE=no_flash if 1
PICO_COPY_TO_RAM*	0 / 1	Equivalent to PICO_DEFAULT_BINARY_TYPE=copy_to_ram if 1
PICO_USE_BLOCKED_RAM*	0 / 1	Equivalent to PICO_DEFAULT_BINARY_TYPE=blocked_ram if 1

TIP

The binary type can be set on a per executable target (as created by `add_executable`) basis by calling `pico_set_binary_type(target type)` where type is the same as for `PICO_DEFAULT_BINARY_TYPE`

Appendix D: Board configuration

Board Configuration

Board configuration is the process of customising the SDK to run on a specific board design. The SDK comes with some predefined configurations for boards produced by Raspberry Pi and other manufacturers, the main (and default) example being the Raspberry Pi Pico.

Configurations specify a number of parameters that could vary between hardware designs. For example, default UART ports, on-board LED locations and flash capacities etc.

This chapter will go through where these configurations files are, how to make changes and set parameters, and how to build your SDK using CMake with your customisations.

The Configuration files

Board specific configuration files are stored in the SDK source tree, at `.../src/boards/include/boards/<boardname>.h`. The default configuration file is that for the Raspberry Pi Pico, and at the time of writing is:

`<sdk_path>/src/boards/include/boards/pico.h`

This relatively short file contains overrides from default of a small number of parameters used by the SDK when building code.

SDK: <https://github.com/raspberrypi/pico-sdk/blob/master/src/boards/include/boards/pico.h>

```

1 /*
2  * Copyright (c) 2020 Raspberry Pi (Trading) Ltd.
3  *
4  * SPDX-License-Identifier: BSD-3-Clause
5  */
6
7 // -----
8 // NOTE: THIS HEADER IS ALSO INCLUDED BY ASSEMBLER SO
9 //       SHOULD ONLY CONSIST OF PREPROCESSOR DIRECTIVES
10 // -----
11
12 // This header may be included by other board headers as "boards/pico.h"
13
14 #ifndef _BOARDS_PICO_H
15 #define _BOARDS_PICO_H
16
17 // For board detection
18 #define RASPBERRYPI_PICO
19
20 // --- UART ---
21 #ifndef PICO_DEFAULT_UART
22 #define PICO_DEFAULT_UART 0
23 #endif
24 #ifndef PICO_DEFAULT_UART_TX_PIN
25 #define PICO_DEFAULT_UART_TX_PIN 0
26 #endif
27 #ifndef PICO_DEFAULT_UART_RX_PIN
28 #define PICO_DEFAULT_UART_RX_PIN 1
29 #endif
30

```

```
31 // --- LED ---
32 #ifndef PICO_DEFAULT_LED_PIN
33 #define PICO_DEFAULT_LED_PIN 25
34 #endif
35 // no PICO_DEFAULT_WS2812_PIN
36
37 // --- I2C ---
38 #ifndef PICO_DEFAULT_I2C
39 #define PICO_DEFAULT_I2C 0
40 #endif
41 #ifndef PICO_DEFAULT_I2C_SDA_PIN
42 #define PICO_DEFAULT_I2C_SDA_PIN 4
43 #endif
44 #ifndef PICO_DEFAULT_I2C_SCL_PIN
45 #define PICO_DEFAULT_I2C_SCL_PIN 5
46 #endif
47
48 // --- SPI ---
49 #ifndef PICO_DEFAULT_SPI
50 #define PICO_DEFAULT_SPI 0
51 #endif
52 #ifndef PICO_DEFAULT_SPI_SCK_PIN
53 #define PICO_DEFAULT_SPI_SCK_PIN 18
54 #endif
55 #ifndef PICO_DEFAULT_SPI_TX_PIN
56 #define PICO_DEFAULT_SPI_TX_PIN 19
57 #endif
58 #ifndef PICO_DEFAULT_SPI_RX_PIN
59 #define PICO_DEFAULT_SPI_RX_PIN 16
60 #endif
61 #ifndef PICO_DEFAULT_SPI_CSN_PIN
62 #define PICO_DEFAULT_SPI_CSN_PIN 17
63 #endif
64
65 // --- FLASH ---
66
67 #define PICO_BOOT_STAGE2_CHOOSE_W25Q080 1
68
69 #ifndef PICO_FLASH_SPI_CLKDIV
70 #define PICO_FLASH_SPI_CLKDIV 2
71 #endif
72
73 #ifndef PICO_FLASH_SIZE_BYTES
74 #define PICO_FLASH_SIZE_BYTES (2 * 1024 * 1024)
75 #endif
76
77 // Drive high to force power supply into PWM mode (lower ripple on 3V3 at light loads)
78 #define PICO_SMPS_MODE_PIN 23
79
80 #ifndef PICO_RP2040_B0_SUPPORTED
81 #define PICO_RP2040_B0_SUPPORTED 1
82 #endif
83
84 // The GPIO Pin used to read VBUS to determine if the device is battery powered.
85 #ifndef PICO_VBUS_PIN
86 #define PICO_VBUS_PIN 24
87 #endif
88
89 // The GPIO Pin used to monitor VSYS. Typically you would use this with ADC.
90 // There is an example in adc/read_vsys in pico-examples.
91 #ifndef PICO_VSYS_PIN
92 #define PICO_VSYS_PIN 29
93 #endif
94
```

```
95 #endif
```

As can be seen, it sets up the default UART to `uart0`, the GPIO pins to be used for that UART, the GPIO pin used for the on-board LED, and the flash size.

To create your own configuration file, create a file in the board `../source/folder` with the name of your board, for example, `myboard.h`. Enter your board specific parameters in this file.

Building applications with a custom board configuration

The CMake system is what specifies which board configuration is going to be used.

To create a new build based on a new board configuration (we will use the `myboard` example from the previous section) first create a new build folder under your project folder. For our example we will use the `pico-examples` folder.

```
$ cd pico-examples
$ mkdir myboard_build
$ cd myboard_build
```

then run cmake as follows:

```
$ cmake -D"PICO_BOARD=myboard" ..
```

This will set up the system ready to build so you can simply type `make` in the `myboard_build` folder and the examples will be built for your new board configuration.

Available configuration parameters

[Table 28](#) lists all the available configuration parameters available within the SDK. You can set any configuration variable in a board configuration header file, however the convention is to limit that to configuration items directly affected by the board design (e.g. pins, clock frequencies etc.). Other configuration items should generally be overridden in the CMake configuration (or another configuration header) for the application being built.

Appendix E: Building the SDK API documentation

The SDK documentation can be viewed [online](#), but is also part of the SDK itself and can be built directly from the command line. If you haven't already checked out the SDK repository you should do so,

```
$ cd ~/
$ mkdir pico
$ cd pico
$ git clone https://github.com/raspberrypi/pico-sdk.git --branch master
$ cd pico-sdk
$ git submodule update --init
$ cd ..
$ git clone https://github.com/raspberrypi/pico-examples.git --branch master
```

Install doxygen if you don't already have it,

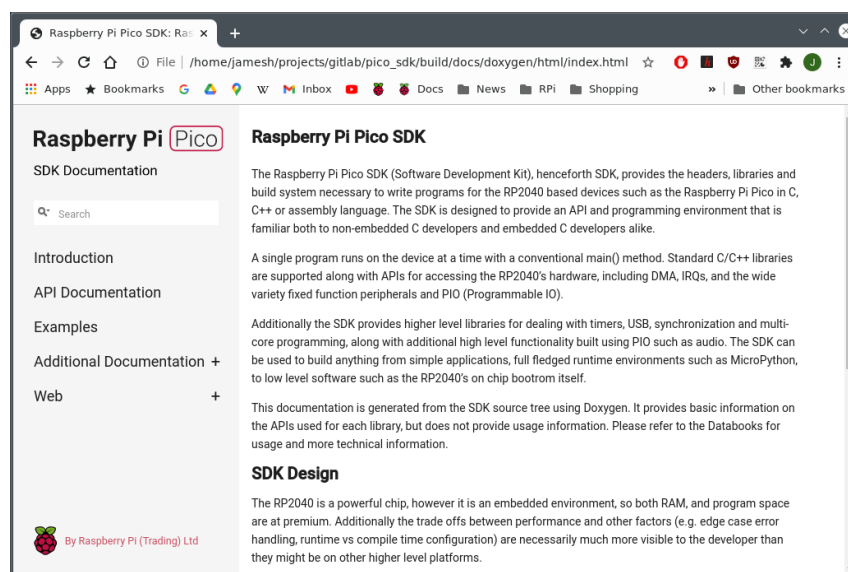
```
$ sudo apt install doxygen
```

Then afterwards you can go ahead and build the documentation,

```
$ cd pico-sdk
$ mkdir build
$ cd build
$ cmake -DPICO_EXAMPLES_PATH=../../pico-examples ..
$ make docs
```

The API documentation will be built and can be found in the `pico-sdk/build/docs/doxygen/html` directory, see [Figure 30](#).

Figure 30. The SDK API documentation



Appendix F: SDK release history

Release 1.0.0 (20/Jan/2021)

Initial release

Release 1.0.1 (01/Feb/2021)

- add `pico_get_unique_id` method to return a unique identifier for a Pico board using the identifier of the external flash
- exposed all 4 pacing timers on the DMA peripheral (previously only 2 were exposed)
- fixed ninja build (i.e. `cmake -G ninja .. ; ninja`)
- minor other improvements and bug fixes

Boot Stage 2

Additionally, a low level change was made to the way flash binaries start executing after `boot_stage2`. This was at the request of folks implementing other language runtimes. It is not generally of concern to end users, however it did require a change to the linker scripts so if you have cloned those to make modifications then you need to port across the relevant changes. If you are porting a different language runtime using the SDK `boot_stage2` implementations then you should be aware that you should now have a vector table (rather than executable code) - at `0x10000100`.

Release 1.1.0 (05/Mar/2021)

- Added board headers for Adafruit, Pimoroni & SparkFun boards
 - new values for `PICO_BOARD` are `adafruit_feather_rp2040`, `adafruit_itsybitsy_rp2040`, `adafruit_qtpy_rp2040`, `pimoroni_keybow2040`, `pimoroni_picosystem`, `pimoroni_tiny2040`, `sparkfun_micromod`, `sparkfun_promicro`, `sparkfun_thingsplus`, in addition to the existing `pico` and `vgaboard`.
 - Added additional definitions for a default SPI, I2C pins as well as the existing ones for UART
 - Allow `default` pins to be undefined (not all boards have UART for example), and SDK will compile but warn as needed in the absence of default.
 - Added additional definition for a default WS2812 compatible pin (currently unused).
- New reset options
 - Added `pico_bootsel_via_double_reset` library to allow reset to `BOOTSEL` mode via double press of a `RESET` button
 - When using `pico_stdio_usb` i.e. `stdio` connected via USB CDC to host, setting baud rate to 1200 (by default) can optionally be used to reset into `BOOTSEL` mode.
 - When using `pico-stdio_usb` i.e. `stdio` connected via USB CDC to host, an additional interface may be added to give `picotool` control over resetting the device.
- Build improvement for non-SDK or existing library builds
 - Removed additional compiler warnings (register headers now use `_u(x)` macro for unsigned values though).
 - Made build more clang friendly.

This release also contains many bug fixes, documentation updates and minor improvements.

Backwards incompatibility

There are some nominally backwards incompatible changes not worthy of a major version bump:

- `PICO_DEFAULT_UART_` defines now default to undefined if there is no default rather than `-1` previously
- The broken `multicore_sleep_core1()` API has been removed; `multicore_reset_core1` is already available to put core 1 into a deep sleep.

Release 1.1.1 (01/Apr/2021)

This fixes a number of bugs, and additionally adds support for a board configuration header to choose the `boot_stage2`

Release 1.1.2 (07/Apr/2021)

Fixes issues with `boot_stage2` selection

Release 1.2.0 (03/Jun/2021)

This release contains numerous bug fixes and documentation improvements. Additionally it contains the following improvements/notable changes:

CAUTION

The `lib/tinyusb` submodule has been updated from 0.8.0 and now tracks upstream <https://github.com/hathach/tinyusb.git>. It is worth making sure you do a

```
$ git submodule sync
$ git submodule update
```

to make sure you are correctly tracking upstream TinyUSB if you are not checking out a clean `pico-sdk` repository.

Moving from TinyUSB 0.8.0 to TinyUSB 0.10.1 may require some minor changes to your USB code.

New/improved Board headers

- New board headers support for PICO_BOARDS `arduino_nano_rp240_connect`, `pimoroni_picolipo_4mb` and `pimoroni_picolipo_16mb`
- Missing/new `#defines` for default SPI and I2C pins have been added

Updated TinyUSB to 0.10.1

The `lib/tinyusb` submodule has been updated from 0.8.0 and now tracks upstream <https://github.com/hathach/tinyusb.git>

Added CMSIS core headers

CMSIS core headers (e.g. `core_cm0plus.h` and `RP2040.h`) are made available via `cmsis_core` INTERFACE library. Additionally, CMSIS standard exception naming is available via `PICO_CMSIS_RENAME_EXCEPTIONS=1`

API improvements

`pico_sync`

- Added support for recursive mutexes via `recursive_mutex_init()` and `auto_init_recursive_mutex()`
- Added `mutex_enter_timeout_us()`
- Added `critical_section_deinit()`
- Added `sem_acquire_timeout_ms()` and `sem_acquire_block_until()`

`hardware_adc`

- Added `adc_get_selected_input()`

`hardware_clocks`

- `clock_get_hz()` now returns actual achieved frequency rather than desired frequency

`hardware_dma`

- Added `dma_channel_is_claimed()`
- Added new methods for configuring/acknowledging DMA IRQs. `dma_irqn_set_channel_enabled()`, `dma_irqn_set_channel_mask_enabled()`, `dma_irqn_get_channel_status()`, `dma_irqn_acknowledge_channel()` etc.

`hardware_exception`

New library for setting ARM exception handlers:

- Added `exception_set_exclusive_handler()`, `exception_restore_handler()`, `exception_get_vtable_handler()`

`hardware_flash`

- Exposed previously private function `flash_do_cmd()` for low level flash command execution

`hardware_gpio`

- Added `gpio_set_input_hysteresis_enabled()`, `gpio_is_input_hysteresis_enabled()`, `gpio_set_slew_rate()`, `gpio_get_slew_rate()`, `gpio_set_drive_strength()`, `gpio_get_drive_strength()`, `gpio_get_out_level()`, `gpio_set_irqover()`

`hardware_i2c`

- Corrected a number of incorrect hardware register definitions
- A number of edge cases in the i2c code fixed

hardware_interp

- Added `interp_lane_is_claimed()`, `interp_unclaim_lane_mask()`

hardware_irq

- Notably fixed the `PICO_LOWEST/HIGHEST_IRQ_PRIORITY` values which were backwards!

hardware_pio

- Added new methods for configuring/acknowledging PIO interrupts (`pio_set_irqn_source_enabled()`, `pio_set_irqn_source_mask_enabled()`, `pio_interrupt_get()`, `pio_interrupt_clear()` etc.)
- Added `pio_sm_is_claimed()`

hardware_spi

- Added `spi_get_baudrate()`
- Changed `spi_init()` to return the set/achieved baud rate rather than void
- Changed `spi_is_writable()` to return bool not `size_t` (it was always 1/0)

hardware_sync

- Notable documentation improvements for spin lock functions
- Added `spin_lock_is_claimed()`

hardware_timer

- Added `busy_wait_ms()` to match `busy_wait_us()`
- Added `hardware_alarm_is_claimed()`

pico_float/pico_double

- Correctly save/restore divider state if floating point is used from interrupts

pico_int64_ops

- Added `PICO_INT64_OPS_IN_RAM` flag to move code into RAM to avoid veneers when calling code is in RAM

pico_runtime

- Added ability to override panic function by setting `PICO_PANIC_FUNCTION=foo` to then use `foo` as the implementation, or setting `PICO_PANIC_FUNCITON=` to simply breakpoint, saving some code space

pico_unique_id

- Added `pico_get_unique_board_id_string()`.

General code improvements

- Removed additional classes of compiler warnings
- Added some missing `const` to method parameters

SVD

- USB DPRAM for device mode is now included

pioasm

- Added `#pragma once` to C/C++ output

RTOS interoperability

Improvements designed to make porting RTOSes either based on the SDK or supporting SDK code easier.

- Added `PICO_DIVIDER_DISABLE_INTERRUPTS` flag to optionally configure all uses of the hardware divider to be guarded by disabling interrupts, rather than requiring on the RTOS to save/restore the divider state on context switch
- Added new abstractions to `pico/lock_core.h` to allow an RTOS to inject replacement code for SDK based low level wait, notify and sleep/timeouts used by synchronization primitives in `pico_sync` and for `sleep_` methods. If an RTOS implements these few simple methods, then all SDK semaphore, mutex, queue, sleep methods can be safely used both within/to/from RTOS tasks, but also to communicate with non-RTOS task aware code, whether it be existing libraries and IRQ handlers or code running perhaps (though not necessarily) on the other core

CMake build changes

Substantive changes have been made to the CMake build, so if you are using a hand crafted non-CMake build, you **will** need to update your compile/link flags. Additionally changed some possibly confusing status messages from CMake build generation to be debug only

Boot Stage 2

- New boot stage 2 for `AT25SF128A`

Release 1.3.0 (02/Nov/2021)

This release contains numerous bug fixes and documentation improvements. Additionally, it contains the following notable changes/improvements:

Updated TinyUSB to 0.12.0

- The `lib/tinyusb` submodule has been updated from 0.10.1 to 0.12.0. See <https://github.com/hathach/tinyusb/releases/tag/0.11.0> and <https://github.com/hathach/tinyusb/releases/tag/0.12.0> for release notes.
- Improvements have been made for projects that include TinyUSB and also compile with enhanced warning levels and `-Werror`. Warnings have been fixed in rp2040 specific TinyUSB code, and in TinyUSB headers, and a new cmake function `suppress_tinyusb_warnings()` has been added, that you may call from your `CMakeLists.txt` to suppress warnings in other TinyUSB C files.

New Board Support

The following boards have been added and may be specified via `PICO_BOARD`:

- `adafruit_trinkey_qt2040`
- `meoperos_shake_rp2040`
- `pimoroni_interstate75`
- `pimoroni_plasma2040`
- `pybstick26_rp2040`
- `waveshare_rp2040_lcd_0.96`
- `waveshare_rp2040_plus_4mb`
- `waveshare_rp2040_plus_16mb`
- `waveshare_rp2040_zero`

Updated SVD, `hardware_regs`, `hardware_structs`

The `RP2040` SVD has been updated, fixing some register access types and adding new documentation.

The `hardware_regs` headers have been updated accordingly.

The `hardware_structs` headers which were previously hand coded, are now generated from the SVD, and retain select documentation from the SVD, including register descriptions and register bit-field tables.

e.g. what was once

```
typedef struct {
    io_rw_32 ctrl;
    io_ro_32 fstat;
    ...
}
```

becomes:

```
// Reference to datasheet: https://datasheets.raspberrypi.com/rp2040/rp2040-datasheet.pdf#tab-registerlist_pio
//
// The _REG_ macro is intended to help make the register navigable in your IDE (for example, using
// the "Go to Definition" feature)
// _REG(x) will link to the corresponding register in hardware/regs/pio.h.
//
// Bit-field descriptions are of the form:
// BITMASK [BITRANGE]: FIELDNAME (RESETVALUE): DESCRIPTION

typedef struct {
    _REG_(PIO_CTRL_OFFSET) // PIO_CTRL
    // PIO control register
    // 0x00000f00 [11:8] : CLKDIV_RESTART (0): Restart a state machine's clock divider from an
    // initial phase of 0
    // 0x00000f0 [7:4] : SM_RESTART (0): Write 1 to instantly clear internal SM state which may
    // be otherwise difficult...
    // 0x000000f [3:0] : SM_ENABLE (0): Enable/disable each of the four state machines by
    // writing 1/0 to each of these four bits
    io_rw_32 ctrl;

    _REG_(PIO_FSTAT_OFFSET) // PIO_FSTAT
}
```

```
// FIFO status register
// 0x0f000000 [27:24] : TXEMPTY (0xf): State machine TX FIFO is empty
// 0x00f00000 [19:16] : TXFULL (0): State machine TX FIFO is full
// 0x0000f000 [11:8]  : RXEMPTY (0xf): State machine RX FIFO is empty
// 0x0000000f [3:0]   : RXFULL (0): State machine RX FIFO is full
io_ro_32 fstat;
...
```

Behavioural Changes

There were some behavioural changes in this release:

pico_sync

SDK 1.2.0 previously added recursive mutex support using the existing (previously non-recursive) `mutex_` functions. This caused a performance regression, and the only clean way to fix the problem was to return the `mutex_` functions to their pre-SDK 1.2.0 behaviour, and split the recursive mutex functionality out into separate `recursive_mutex_` functions with a separate `recursive_mutex_` type.

Code using the SDK 1.2.0 recursive mutex functionality will need to be changed to use the new type and functions, however as a convenience, the pre-processor define `PICO_MUTEX_ENABLE_SDK120_COMPATIBILITY` may be set to 1 to retain the SDK 1.2.0 behaviour at the cost of an additional performance penalty. The ability to use this pre-processor define will be removed in a subsequent SDK version.

pico_platform

- `pico.h` and its dependencies have been slightly refactored so it can be included by assembler code as well as C/C code. This ensures that assembler code and C/C code follow the same board configuration/override order and see the same configuration defines. This should not break any existing code, but is notable enough to mention.
- `pico/platform.h` is now fully documented.

pico_standard_link

`-Wl,max-page-size=4096` is now passed to the linker, which is beneficial to certain users and should have no discernible impact on the rest.

Other Notable Improvements

hardware_base

- Added `xip_noalloc_alias(addr)`, `xip_nocache_alias(addr)`, `xip_nocache_noalloc_alias(addr)` macros for converting a flash address between XIP aliases (similar to the `hw_xxx_alias(addr)` macros).

hardware_dma

- Added `dma_timer_claim()`, `dma_timer_unclaim()`, `dma_claim_unused_timer()` and `dma_timer_is_claimed()` to manage ownership of DMA timers.
- Added `dma_timer_set_fraction()` and `dma_get_timer_dreq()` to facilitate pacing DMA transfers using DMA timers.

hardware_i2c

- Added `i2c_get_dreq()` function to facilitate configuring DMA transfers to/from an I2C instance.

hardware_irq

- Added `irq_get_priority()`.
- Fixed implementation when `PICO_DISABLE_SHARED_IRQ_HANDLERS=1` is specified, and allowed `irq_add_shared_handler` to be used in this case (as long as there is only one handler - i.e. it behaves exactly like `irq_set_exclusive_handler`).
- Sped up IRQ priority initialization which was slowing down per core initialization.

hardware_pio

- `pio_encode_` functions in `hardware/pico_instructions.h` are now documented.

hardware_pwm

- Added `pwm_get_dreq()` function to facilitate configuring DMA transfers to a PWM slice.

hardware_spi

- Added `spi_get_dreq()` function to facilitate configuring DMA transfers to/from an SPI instance.

hardware_uart

- Added `uart_get_dreq()` function to facilitate configuring DMA transfers to/from a UART instance.

hardware_watchdog

- Added `watchdog_enable_caused_reboot()` to distinguish a watchdog reboot caused by a watchdog timeout after calling `watchdog_enable()` from other watchdog reboots (e.g. that are performed when a UF2 is dragged onto a device in BOOTSEL mode).

pico_bootrom

- Added new constants and function signature typedefs to `pico/bootrom.h` to facilitate calling bootrom functions directly.

pico_multicore

- Improved documentation in `pico/multicore.h`; particularly, `multicore_lockout_` functions are newly documented.

pico_platform

- `PICO_RP2040` is now defined to 1 in `PICO_PLATFORM=rp2040` (i.e. normal) builds.

pico_stdio

- Added `puts_raw()` and `putchar_raw()` to skip CR/LF translation if enabled.

- Added `stdio_usb_connected()` to detect CDC connection when using `stdio_usb`.
- Added `PICO_STDIO_USB_CONNECT_WAIT_TIMEOUT_MS` define that can be set to wait for a CDC connection to be established during initialization of `stdio_usb`. Note: value -1 means indefinite. This can be used to prevent initial program output being lost, at the cost of requiring an active CDC connection.
- Fixed `semihosting_putc` which was completely broken.

pico_usb_reset_interface

- This new library contains `pico/usb_reset_interface.h` split out from `stdio_usb` to facilitate inclusion in external projects.

CMake build

- `OUTPUT_NAME` target property is now respected when generating supplemental files (`.BIN`, `.HEX`, `.MAP`, `.UF2`)

pioasm

- Operator precedence of `*`, `/`, `-`, `+` have been fixed
- Incorrect MicroPython output has been fixed.

elf2uf2

- A bug causing an error with binaries produced by certain other languages has been fixed.

Release 1.3.1 (18/May/2022)

This release contains numerous bug fixes and documentation improvements which are not all listed here; you can see the full list of individual commits [here](#).

New Board Support

The following boards have been added and may be specified via `PICO_BOARD`:

- `adafruit_kb2040`
- `adafruit_macropad_rp2040`
- `eetree_gamekit_rp2040`
- `garatronic_pybstick26_rp2040` (renamed from `pybstick26_rp2040`)
- `pimoroni_badger2040`
- `pimoroni_motor2040`
- `pimoroni_servo2040`
- `pimoroni_tiny2040_2mb`
- `seeed_xiao_rp2040`
- `solderparty_rp2040_stamp_carrier`
- `solderparty_rp2040_stamp`

- [wiznet_w5100s_evb_pico](#)

Notable Library Changes/Improvements

hardware_dma

- New documentation has been added to the `dma_channel_abort()` function describing errata [RP2040-E13](#), and how to work around it.

hardware_irq

- Fixed a bug related to removing and then re-adding shared IRQ handlers. It is now possible to add/remove handlers as documented.
- Added new documentation clarifying the fact the shared IRQ handler ordering "priorities" have values that increase with higher priority vs. Cortex M0+ IRQ priorities which have values that decrease with priority!

hardware_pwm

- Added a `pwm_config_set_clkdiv_int_frac()` method to complement `pwm_config_set_clkdiv_int()` and `pwm_config_set_clkdiv()`.

hardware_pio

- Fixed the `pio_set_irqn_source_mask_enabled()` method which previously affected the wrong IRQ.

hardware_rtc

- Added clarification to `rtc_set_datetime()` documentation that the new value may not be visible to a `rtc_get_datetime()` very soon after, due to crossing of clock domains.

pico_platform

- Added a `busy_wait_at_least_cycles()` method as a convenience method for a short tight-loop counter-based delay.

pico_stdio

- Fixed a bug related to removing stdio "drivers". `stdio_set_driver_enabled()` can now be used freely to dynamically enable and disable drivers during runtime.

pico_time

- Added an `is_at_the_end_of_time()` method to check if a given time matches the SDK's maximum time value.

Runtime

A bug in `__ctzdi2()` aka `__builtin_ctz(uint64_t)` was fixed.

Build

- Compilation with GCC 11 is now supported.
- `PIOASM_EXTRA_SOURCE_FILES` is now actually respected.

pioasm

- Input files with Windows (CRLF) line endings are now accepted.
- A bug in the python output was fixed.

elf2uf2

- Extra padding was added to the UF2 output of misaligned or non-contiguous binaries to work around errata [RP2040-E14](#).

i NOTE

The 1.3.0 release of the SDK incorrectly squashed the history of the changes. A new merge commit has been added to restore the full history, and the [1.3.0](#) tag has been updated

Release 1.4.0 (30/Jun/2022)

This release adds wireless support for the Raspberry Pi Pico W, adds support for other new boards, and contains various bug fixes, documentation improvements, and minor improvements/added functionality. You can see the full list of individual commits [here](#).

New Board Support

The following boards have been added and may be specified via `PICO_BOARD`:

- `pico_w`
- `datanoisetv_rp2040_dsp`
- `solderparty_rp2040_stamp_round_carrier`

Wireless Support

- Support for the Raspberry Pi Pico W is now included with the SDK (`PICO_BOARD=pico_w`). The Pico W uses a driver for the wireless chip called `cyw43_driver` which is included as a submodule of the SDK. You need to initialize this submodule for Pico W wireless support to be available. Note that the LED on the Pico W board is only accessible via the wireless chip, and can be accessed via `cyw43_arch_gpio_put()` and `cyw43_arch_gpio_get()` (part of the `pico_cyw43_arch` library described below). As a result of the LED being on the wireless chip, there is no `PICO_DEFAULT_LED_PIN` setting and the default LED based examples in [pico-examples](#) do not work with the Pico W.
- IP support is provided by `lwIP` which is also included as a submodule which you should initialize if you want to use it.

The following libraries exposing lwIP functionality are provided by the SDK:

- `pico_lwip_core` (included in `pico_lwip`)
- `pico_lwip_core4` (included in `pico_lwip`)

- `pico_lwip_core6` (included in `pico_lwip`)
- `pico_lwip_netif` (included in `pico_lwip`)
- `pico_lwip_sixlowpan` (included in `pico_lwip`)
- `pico_lwip_ppp` (included in `pico_lwip`)
- `pico_lwip_api` (this is a blocking API that may be used with FreeRTOS and is not included in `pico_lwip`)

As referenced above, the SDK provides a `pico_lwip` which aggregates all of the commonly needed lwIP functionality. You are of course free to use the substituent libraries explicitly instead.

The following libraries are provided that contain the equivalent lwIP application support:

- `pico_lwip_snmp`
 - `pico_lwip_http`
 - `pico_lwip_makefsdata`
 - `pico_lwip_iperf`
 - `pico_lwip_smtp`
 - `pico_lwip_sntp`
 - `pico_lwip_mdns`
 - `pico_lwip_netbios`
 - `pico_lwip_tftp`
 - `pico_lwip_mbedtls`
- Integration of the IP stack and the `cyw43_driver` network driver into the user's code is handled by `pico_cyw43_arch`. Both the IP stack and the driver need to do work in response to network traffic, and `pico_cyw43_arch` provides a variety of strategies for servicing that work. Four architecture variants are currently provided as libraries:
 - `pico_cyw43_arch_lwip_poll` - For using the RAW lwIP API (`NO_SYS=1` mode) with polling. With this architecture the user code must periodically poll via `cyw43_arch_poll()` to perform background work. This architecture matches the common use of lwIP on microcontrollers, and provides no multicore safety
 - `pico_cyw43_arch_lwip_threadsafe_background` - For using the RAW lwIP API (`NO_SYS=1` mode) with multicore safety, and automatic servicing of the `cyw43_driver` and lwIP in the background. User polling is not required with this architecture, but care should be taken as lwIP callbacks happen in an IRQ context.
 - `pico_cyw43_arch_lwip_sys_freertos` - For using the full lwIP API including blocking sockets in OS mode (`NO_SYS=0`), along with multicore/task safety, and automatic servicing of the `cyw43_driver` and the lwIP stack in a separate task. This powerful architecture works with both SMP and non-SMP variants of the RP2040 port of FreeRTOS-Kernel. Note you must set `FREERTOS_KERNEL_PATH` in your build to use this variant.
 - `pico_cyw43_arch_none` - If you do not need the TCP/IP stack but wish to use the on-board LED or other wireless chip connected GPIOs.

See the library documentation or the `pico/cyw43_arch.h` header for more details.

Notable Library Changes/Improvements

hardware_dma

- Added `dma_unclaim_mask()` function for un-claiming multiple DMA channels at once.
- Added `channel_config_set_high_priority()` function to set the channel priority via a channel config object.

hardware_gpio

- Improved the documentation for the pre-existing gpio IRQ functions which use the "one callback per core" callback mechanism, and added a `gpio_set_irq_callback()` function to explicitly set the callback independently of enabling per pin GPIO IRQs.
- Reduced the latency of calling the existing "one callback per core" GPIO IRQ callback.
- Added new support for the user to add their own shared GPIO IRQ handler independent of the pre-existing "one callback per core" callback mechanism, allowing for independent usage of GPIO IRQs without having to share one handler.

See the documentation in `hardware/irq.h` for full details of the functions added:

- `gpio_add_raw_irq_handler()`
 - `gpio_add_raw_irq_handler_masked()`
 - `gpio_add_raw_irq_handler_with_order_priority()`
 - `gpio_add_raw_irq_handler_with_order_priority_masked()`
 - `gpio_remove_raw_irq_handler()`
 - `gpio_remove_raw_irq_handler_masked()`
- Added a `gpio_get_irq_event_mask()` utility function for use by the new "raw" IRQ handlers.

hardware_irq

- Added `user_irq_claim()`, `user_irq_unclaim()`, `user_irq_claim_unused()` and `user_irq_is_claimed()` functions for claiming ownership of the **user** IRQs (the ones numbered 26-31 and not connected to any hardware). Uses of the **user** IRQs have been updated to use these functions. For `stdio_usb`, the `PICO_STDIO_USB_LOW_PRIORITY_IRQ` define is still respected if specified, but otherwise an unclaimed one is chosen.
- Added an `irq_is_shared_handler()` function to determine if a particular IRQ uses a shared handler.

pico_sync

- Added a `sem_try_acquire()` function, for non-blocking acquisition of a semaphore.

pico_stdio

- `stderr` is now supported and goes to the same destination as `stdout`.
- Zero timeouts for `getchar_timeout_us()` are now correctly honored (previously they were a 1µs minimum).

stdio_usb

- The use of a 1ms timer to handle background TinyUSB work has been replaced with use of a more interrupt driven approach using a **user** IRQ for better performance. Note this new feature is disabled if shared IRQ handlers are disabled via `PICO_DISABLE_SHARED_IRQ_HANDLERS=1`

Miscellaneous

- `get_core_num()` has been moved to `pico/platform.h` from `hardware/sync.h`.
- The C library function `realloc()` is now multicore safe too.
- The minimum PLL frequency has been increased from 400Mhz to 750Mhz to improve stability across operating

conditions. This should not affect the majority of users in any way, but may impact those trying to set particularly low clock frequencies. If you do wish to return to the previous minimum, you can set `PICO_PLL_VCO_MIN_FREQ_MHZ` back to 400. There is also a new `PICO_PLL_VCO_MAX_FREQ_MHZ` which defaults to 1600.

Build

- Compilation with GCC 12 is now supported.

Release 1.5.0 (11/Feb/2023)

This release contains new libraries and functionality, along with numerous bug fixes and documentation improvements. Highlights are listed below, or you can see the full list of individual commits [here](#), and the full list of resolved issues [here](#).

New Board Support

The following boards have been added and may be specified via `PICO_BOARD`:

- `nullbits_bit_c_pro`
- `waveshare_rp2040_lcd_1.28`
- `waveshare_rp2040_one`

Library Changes/Improvements

hardware_clocks

- `clock_gpio_init()` now takes a `float` for the clock divider value, rather than an `int`.
- Added `clock_gpio_init_int_frac()` function to allow initialization of integer and fractional part of the clock divider value, without using `float`.
- Added `--ref-min` option to `vcocalc.py` to override the minimum reference frequency allowed.
- `vcocalc.py` now additionally considers reference frequency dividers greater than 1.

hardware_divider

- Improved the performance of `hw_divider_` functions.

hardware_dma

- Added `dma_sniffer_set_output_invert_enabled()` and `dma_sniffer_set_output_reverse_enabled()` functions to configure the DMA sniffer.
- Added `dma_sniffer_set_data_accumulator()` and `dma_sniffer_get_data_accumulator()` functions to access the DMA sniffer accumulator.

hardware_i2c

- Added `i2c_get_instance()` function for consistency with other `hardware_` libraries.
- Added `i2c_read_byte_raw()`, `i2c_write_byte_raw()` functions to directly read and write the I2C data register for an I2C instance.

hardware_timer

- Added `hardware_alarm_claim_unused()` function to claim an unused hardware timer.

pico_cyw43_arch

- Added `cyw43_arch_wifi_connect_bssid_` variants of `cyw43_arch_wifi_connect_` functions to allow connection to a specific access point.
- Blocking `cyw43_arch_wifi_connect_` functions now continue trying to connect rather than failing immediately if the network is not found.
- `cyw43_arch_wifi_connect_` functions now return consistent return codes (`PICO_OK`, or `PICO_ERROR_XXX`).
- The `pico_cyw43_arch` library has been completely rewritten on top of the new `pico_async_context` library that generically abstracts the different types of asynchronous operation (`poll`, `threadsafe_background` and `freertos`) previously handled in a bespoke fashion by `pico_cyw43_arch`. Many edge case bugs have been fixed as a result of this. Note that this change should be entirely backwards compatible from the user point of view.
- `cyw43_arch_init()` and `cyw43_arch_deinit()` functions are now very thin layers which handle `async_context` life-cycles, along with adding support for the `cyw43_driver`, lwIP, BTstack etc. to that `async_context`. Currently, these mechanisms remain the preferred documented way to initialize Pico W networking, however you are free to do similar initialization/de-initialization yourself.
- Added `cyw43_arch_set_async_context()` function to specify a custom `async_context` prior to calling `cyw43_arch_init*()`
- Added `cyw43_arch_async_context()` function to get the `async_context` used by the CYW43 architecture support.
- Added `cyw43_arch_init_default_async_context()` function to return the `async_context` that `cyw43_arch_init*()` would initialize if one has not been set by the user.
- Added `cyw43_arch_wait_for_work_until()` function to block until there is networking work to be done. This is most useful for `poll` style applications that have no other work to do and wish to sleep until `cyw43_arch_poll()` needs to be called again.

pico_cyw43_driver

- The functionality has been clarified into 3 separate libraries:
 - `cyw43_driver` - the raw `cyw43_driver` code.
 - `cyw43_driver_picow` - additional support for communication with the Wi-Fi chip over SPI on Pico W.
 - `pico_cyw43_driver` - integration of the `cyw43_driver` with the `pico-sdk` via `async_context`
- Added `CYW43_WIFI_NVRAM_INCLUDE_FILE` define to allow user to override the NVRAM file.

pico_divider

- Improved the performance of 64-bit divider functions.

pico_platform

- Add `panic_compact()` function that discards the message to save space in non-debug (`NEBUG` defined) builds.

pico_runtime

- Added proper implementation of certain missing `newLib` system APIs: `_gettimeofday()`, `_times()`, `_isatty()`, `_getpid()`.
- The above changes enable certain additional C/C++ library functionality such as `gettimeofday()`, `times()` and `std::chrono`.
- Added `settimeofday()` implementation such that `gettimeofday()` can be meaningfully used.
- Added default (return `-1`) implementations of the remaining `newLib` system APIs: `_open()`, `_close()`, `_lseek()`, `_fstat()`, `_isatty()`, `_kill()`, to prevent warnings on GCC 12.
- Made all `newLib` system API implementations *weak* so the user can override them.

pico_stdio

- `pico_stdio` allows for outputting from within an IRQ handler that creates the potential for deadlocks (especially with `pico_stdio_usb`), and the intention is to *not* deadlock but instead discard output in any cases where a deadlock would otherwise occur. The code has been revamped to avoid more deadlock cases, and a new define `PICO_STDIO_DEADLOCK_TIMEOUT_MS` has been added to catch remaining cases that might be caused by user level locking.
- Added `stdio_set_chars_available_callback()` function to set a callback to be called when input is available. See also the new `PICO_STDIO_USB_SUPPORT_CHARS_AVAILABLE_CALLBACK` and `PICO_STDIO_UART_SUPPORT_CHARS_AVAILABLE_CALLBACK` defines which both default to `1` and control the availability of this new feature for USB and UART stdio respectively (at the cost of a little more code).
- Improved performance of `stdio_semihosting`.
- Give the user more control over the USB descriptors of `stdio_usb` via `USBD_VID`, `USBD_PID`, `USBD_PRODUCT`, `PICO_STDIO_USB_CONNECTION_WITHOUT_DTR` and `PICO_STDIO_USB_DEVICE_SELF_POWERED`

pico_sync

- Added `critical_section_is_initialized()` function to test if a critical section has been initialized.
- Added `mutex_try_enter_block_until()` function to wait only up to a certain time to acquire a mutex.

pico_time

- Added `from_us_since_boot()` function to convert a `uint64_t` timestamp to an `absolute_time_t`.
- Added `absolute_time_min()` function to return the earlier of two `absolute_time_t` values.
- Added `alarm_pool_create_with_unused_hardware_alarm()` function to create an alarm pool using a hardware alarm number claimed using `hardware_alarm_claim()`.
- Added `alarm_pool_core_num()` function to determine what core an alarm pool runs on.
- Added `alarm_pool_add_alarm_at_force_in_context()` function to add an alarm, and have it always run in the IRQ context even if the target time is in the past, or during the call. This may be simpler in some cases than dealing with the `fire_if_past` parameters to existing functions, and avoids some callbacks happening from non-IRQ context.

pico_lwip

- Added `pico_lwip_mqtt` library to expose the MQTT app functionality in lwIP.
- Added `pico_lwip_mdns` library to expose the MDNS app functionality in lwIP.
- Added `pico_lwip_freertos` library for `NO_SYS=0` with FreeRTOS as a complement to `pico_lwip_nosys` for `NO_SYS=1`.

TinyUSB

- TinyUSB has upgraded from 0.12.0 to 0.15.0. See TinyUSB release notes [here](#) for details.
- Particularly `host` support should be massively improved.
- Defaulted new TinyUSB `dcd_rp2040` driver's `TUD_OPT_RP2040_USB_DEVICE_UFRAME_FIX` variable to `1` as a workaround for errata RP2040-E15. This fix is required for correctness, but comes at the cost of some performance, so applications that won't ever be plugged into a Pi 4 or Pi 400 can optionally disable this by setting the value of `TUD_OPT_RP2040_USB_DEVICE_UFRAME_FIX` to `0` either via `target_compile_definitions` in their `CMakeLists.txt` or in their `tusb_config.h`.

New Libraries

pico_async_context

- Provides support for asynchronous events (timers/IRQ notifications) to be handled in a safe context without concurrent execution (as required by many asynchronous 3rd party libraries).
- Provides implementations matching those previously implemented in `pico_cyw43_arch`:
 - `poll` - Not thread-safe; the user must call `async_context_poll()` periodically from their main loop, but can call `async_context_wait_for_work_until()` to block until work is required.
 - `threadsafe_background` - No polling is required; instead asynchronous work is performed in a low priority IRQ. Locking is provided such that IRQ/non-IRQ or multiple cores can interact safely.
 - `freertos` - Asynchronous work is performed in a separate FreeRTOS task.
- `async_context` guarantees all callbacks happen on a single core.
- `async_context` supports multiple instances for providing independent context which can execute concurrently with respect to each other.

pico_i2c_slave

- A (slightly modified) `pico_i2c_slave` library from https://github.com/vmilea/pico_i2c_slave
- Adds a callback style event API for handling I2C slave requests.

pico_mbedtls

- Added `pico_mbedtls` library to provide Mbed TLS support. You can depend on both `pico_lwip_mbedtls` and `pico_mbedtls` to use Mbed TLS and lwIP together. See the `tls_client` example in `pico-examples` for more details.

pico_rand

- Implements a new Random Number Generator API.

- `pico_rand` generates random numbers at runtime utilizing a number of possible entropy sources, and uses those sources to modify the state of a 128-bit 'Pseudo Random Number Generator' implemented in software.
- Adds `get_rand_32()`, `get_rand_64()` and `get_rand_128()` functions to return largely unpredictable random numbers (which should be different on each board/run for example).

Miscellaneous

- Added a new header `hardware/structs/nvic.h` with a struct for the Arm Cortex M0+ NVIC available via the `nvic_hw` pointer.
- Added new `PICO_CXX_DISABLE_ALLOCATION_OVERRIDES` which can be set to 1 if you do not want `pico_standard_link` to include non-exceptional overrides of `std::new`, `std::new[]`, `std::delete` and `std::delete[]` when exceptions are disabled.
- `elf2uf2` now correctly uses `LMA` instead of `VMA` of the entry point to determine binary type (flash/RAM). This is required to support some exotic binaries correctly.

Build

- The build will now check for a functional compiler via the standard `CMake` mechanism.
- The build will pick up pre-installed `elf2uf2` and `picoasm` if found via an installed `pico-sdk-tools` `CMake` package. If it can do so, then no native compiler is required for the build!
- It is now possible to switch the board type `PICO_BOARD` in an existing `CMake` build directory.
- `ARCHIVE_OUTPUT_DIRECTORY` is now respected in build for `UF2` output files.
- Spaces are now supported in the path to the `pico-sdk`
- All libraries `xxx` in the `pico-sdk` now support a `xxx_headers` variant that just pulls in the libraries' headers. These `xxx_headers` libraries correctly mirror the dependencies of the `xxx` libraries, so you can use `xxx_headers` instead of `xxx` as your dependency if you do not want to pull in any implementation files (perhaps if you are making a `STATIC` library). Actually the "all" is not quite true, non-code libraries such as `pico_standard_link` and `pico_cxx_options` are an exception.

Bluetooth Support for Pico W (BETA)

The support is currently available as a beta. More details will be forthcoming with the actual release. In the meantime, there are examples in [pico-examples](#).

Key changes:

- The Bluetooth API is provided by `BTstack`.
- The following new libraries are provided that expose core `BTstack` functionality:
 - `pico_btstack_ble` - Adds Bluetooth Low Energy (LE) support.
 - `pico_btstack_classic` - Adds Bluetooth Classic support.
 - `pico_btstack_sbc_encoder` - Adds Bluetooth Sub Band Coding (SBC) encoder support.
 - `pico_btstack_sbc_decoder` - Adds Bluetooth Sub Band Coding (SBC) decoder support.
 - `pico_btstack_bnep_lwip` - Adds Bluetooth Network Encapsulation Protocol (BNEP) support using LwIP.
 - `pico_btstack_bnep_lwip_sys_freertos` - Adds Bluetooth Network Encapsulation Protocol (BNEP) support using LwIP with FreeRTOS for `NO_SYS=0`.
- The following integration libraries are also provided:

- `pico_btstack_run_loop_async_context` - provides a common `async_context` backed implementation of a BTstack "run loop" that can be used for all BTstack use with the `pico-sdk`.
- `pico_btstack_flash_bank` - provides a sample implementation for storing required Bluetooth state in flash.
- `pico_btstack_cyw43` - integrates BTstack with the CYW43 driver.
- Added CMake function `pico_btstack_make_gatt_header` that can be used to run the BTstack `compile_gatt` tool to make a GATT header file from a BTstack GATT file.
- Updated `pico_cyw43_driver` and `cyw43_driver` to support HCI communication for Bluetooth.
- Updated `cyw43_driver_picow` to support Pico W specific HCI communication for Bluetooth over SPI.
- Updated `cyw43_arch_init()` and `cyw43_arch_deinit()` to additionally handle Bluetooth support if `CYW43_ENABLE_BLUETOOTH` is 1 (as it will be automatically if you depend on `pico_btstack_cyw43`).

Release 1.5.1 (14/Jun/2023)

This release is largely a bug fix release, however it also makes Bluetooth support official and adds some new libraries and functionality.

Highlights are listed below, or you can see the full list of individual commits [here](#), and the full list of resolved issues [here](#).

Board Support

The following board has been added and may be specified via `PICO_BOARD`:

- `pololu_3pi_2040_robot`

The following board configurations have been modified:

- `adafruit_itsybitsy_rp2040` - corrected the mismatched `PICO_DEFAULT_I2C` bus number (favors the breadboard pins not the stemma connector).
- `sparkfun_thingplus` - added WS2812 pin config.

Library Changes/Improvements

hardware_dma

- Added `dma_channel_cleanup()` function that can be used to clean up a dynamically claimed DMA channel after use, such that it won't be in a surprising state for the next user, making sure that any in-flight transfer is aborted, and no interrupts are left pending.

hardware_spi

- The `spi_set_format`, `spi_set_slave`, `spi_set_baudrate` functions that modify the configuration of an SPI instance, now disable the SPI while changing the configuration as specified in the data sheet.

pico_async_context

- Added `user_data` member to `async_when_pending_worker_t` to match `async_at_time_worker_t`.

pico_cyw43_arch

- Added `cyw43_arch_disable_sta_mode()` function to complement `cyw43_arch_enable_sta_mode()`.
- Added `cyw43_arch_disable_ap_mode()` function to complement `cyw43_arch_enable_ap_mode()`.

pico_stdio_usb

- The 20-character limit for descriptor strings `USB_PRODUCT` and `USB_MANUFACTURER` can now be extended by defining `USB_DESC_STR_MAX`.
- `PICO_STDIO_USB_CONNECT_WAIT_TIMEOUT_MS` is now supported in the build as well as compiler definitions; if it is set in the build, it is added to the compile definitions.

pico_rand

- Fixed poor randomness when `PICO_RAND_ENTROPY_SRC_BUS_PERF_COUNTER=1`.

PLL and Clocks

- The `set_sys_clock_pll` and `set_sys_clock_khz` methods now reference a pre-processor define `PICO_CLOCK_ADJUST_PERI_CLOCK_WITH_SYS_CLOCK`. If set to `1`, the peripheral clock is updated to match the new system clock, otherwise the preexisting behavior (of setting the peripheral clock to a safe 48Mhz) is preserved.
- Support for non-standard crystal frequencies, and compile-time custom clock configurations:
 - The new define `XOSC_KHZ` is used in preference to the preexisting `XOSC_MHZ` to define the crystal oscillator frequency. This value is now also correctly plumbed through the various clock setup functions, such that they behave correctly with a crystal frequency other than 12Mhz. `XOSC_MHZ` will be automatically defined for backwards compatibility if `XOSC_KHZ` is an exact multiple of 1000 Khz. Note that either `XOSC_MHZ` or `XOSC_KHZ` may be specified by the user, but not both.
 - The new define `PLL_COMMON_REFDIV` can be specified to override the default reference divider of 1.
 - The new defines `PLL_SYS_VCO_FREQ_KHZ`, `PLL_SYS_POSTDIV1` and `PLL_SYS_POSTDIV2` are used to configure the system clock PLL during runtime initialization. These are defaulted for you if `SYS_CLK_KHZ=125000`, `XOSC_KHZ=12000` and `PLL_COMMON_REFDIV=1`. You can modify these values in your `CMakeLists.txt` if you want to configure a different system clock during runtime initialization, or are using a non-standard crystal.
 - The new defines `PLL_USB_VCO_FREQ_KHZ`, `PLL_USB_POSTDIV1` and `PLL_USB_POSTDIV2` are used to configure the USB clock PLL during runtime initialization. These are defaulted for you if `USB_CLK_KHZ=48000`, `XOSC_KHZ=12000` and `PLL_COMMON_REFDIV=1`. You can modify these values in your `CMakeLists.txt` if you want to configure a different USB clock if you are using a non-standard crystal.
 - The new define `PICO_PLL_VCO_MIN_FREQ_KHZ` is used in preference to the pre-existing `PICO_PLL_VCO_MIN_FREQ_MHZ`, though specifying either is supported.
 - The new define `PICO_PLL_VCO_MAX_FREQ_KHZ` is used in preference to the pre-existing `PICO_PLL_VCO_MAX_FREQ_MHZ`, though specifying either is supported.

New Libraries

pico_flash

- This is a new higher level library than `hardware_flash`. It provides helper functions to facilitate getting into a state where it is safe to write to flash (the default implementation disables interrupts on the current core, and if necessary, makes sure the other core is running from RAM, and has interrupts disabled).

- Adds a `flash_safe_execute()` function to execute a callback function while in the "safe" state.
- Adds a `flash_safe_execute_core_init()` function which must be called from the "other core" when using `pico_multicore` to enable the cooperative support for entering a "safe" state.
- Supports user override of the mechanism by overriding the `get_flash_safety_helper()` function.

Miscellaneous

- All assembly (including inline) in the SDK now uses the `unified` syntax.
 - New C macros `pico_default_asm(...)` and `pico_default_asm_volatile(...)` are provided that are equivalent to `asm` and `asm volatile` blocks, but with a `.syntax unified` at the beginning.
- A new assembler macro `pico_default_asm_setup` is provided to configure the correct CPU and dialect.
- Some code cleanup to make the SDK code at least compile cleanly on Clang and IAR.

Build

- `PICO_BOARD` and `PICO_BOARD_HEADER_DIRS` now correctly use the latest environment variable value if present.
- A CMake performance regression due to repeated calls to `find_package` has been fixed.
- Experimental support is provided for compiling with Clang. As an example, you can build with the [LLVM Embedded Toolchain for Arm](#), noting however that currently only version 14.0.0 works, as later versions use `picolib` rather than `newlib`.
 - Note that if you are using TinyUSB you need to use the latest master to compile with Clang.

```
$ mkdir clang_build
$ cd clang_build
$ cmake -DPICO_COMPILER=pico_arm_clang -DPICO_TOOLCHAIN_PATH=/path/to/arm-embedded-llvm-14.0.0 ..
$ make
```

Bluetooth Support for Pico W

The support is now official. Please find examples in [pico-examples](#).

- The Bluetooth API is provided by [BTstack](#).
- The following libraries are provided that expose core BTstack functionality:
 - `pico_btstack_ble` - Adds Bluetooth Low Energy (LE) support.
 - `pico_btstack_classic` - Adds Bluetooth Classic support.
 - `pico_btstack_sbc_encoder` - Adds Bluetooth Sub Band Coding (SBC) encoder support.
 - `pico_btstack_sbc_decoder` - Adds Bluetooth Sub Band Coding (SBC) decoder support.
 - `pico_btstack_bnep_lwip` - Adds Bluetooth Network Encapsulation Protocol (BNEP) support using LwIP.
 - `pico_btstack_bnep_lwip_sys_freertos` - Adds Bluetooth Network Encapsulation Protocol (BNEP) support using LwIP with FreeRTOS for `NO_SYS=0`.
- The following integration libraries are also provided:
 - `pico_btstack_run_loop_async_context` - provides a common `async_context` backed implementation of a BTstack "run loop" that can be used for all BTstack use with the `pico-sdk`.

- `pico_btstack_flash_bank` - provides a sample implementation for storing required Bluetooth state in flash.
- `pico_btstack_cyw43` - integrates BTstack with the CYW43 driver.
- The CMake function `pico_btstack_make_gatt_header` can be used to run the BTstack `compile_gatt` tool to make a GATT header file from a BTstack GATT file.
- `pico_cyw43_driver` and `cyw43_driver` now support HCI communication for Bluetooth.
- `cyw43_driver_picow` now supports Pico W specific HCI communication for Bluetooth over SPI.
- `cyw43_arch_init()` and `cyw43_arch_deinit()` automatically handle Bluetooth support if `CYW43_ENABLE_BLUETOOTH` is 1 (as it will be automatically if you depend on `pico_btstack_cyw43`).

Key changes since 1.5.0:

- Added Raspberry Pi specific [BTstack license](#).
- The storage offset in flash for `pico_btstack_flash_bank` can be specified at runtime by defining `pico_flash_bank_get_storage_offset_func` to your own function to return the offset within flash.
- `pico_btstack_flash_bank` is now safe for multicore / FreeRTOS SMP use, as it uses the new `pico_flash` library to make sure the other core is not accessing flash during flash updates. If you are using `pico_multicore` you must have called `flash_safe_execute_core_init` from the "other" core (to the one Bluetooth is running on).
- Automatically set Bluetooth MAC address to the correct MAC address (Wi-Fi MAC address + 1), as some devices do not have it set in OTP and were using the same default MAC from the Bluetooth chip causing collisions.
- Various bug-fixes and stability improvements (especially with concurrent Wi-Fi), including updating `cyw43_driver` and `btstack` to the newest versions.

Appendix G: Documentation release history

Table 30.
Documentation
release history

Release	Date	Description
1.0	21 Jan 2021	<ul style="list-style-type: none"> Initial release
1.1	26 Jan 2021	<ul style="list-style-type: none"> Minor corrections Extra information about using DMA with ADC Clarified M0+ and SIO CPUID registers Added more discussion of Timers Update Windows and macOS build instructions Renamed books and optimised size of output PDFs
1.2	01 Feb 2021	<ul style="list-style-type: none"> Minor corrections Small improvements to PIO documentation Added missing TIMER2 and TIMER3 registers to DMA Explained how to get MicroPython REPL on UART To accompany the V1.0.1 release of the C SDK
1.3	23 Feb 2021	<ul style="list-style-type: none"> Minor corrections Changed font Additional documentation on sink/source limits for RP2040 Major improvements to SWD documentation Updated MicroPython build instructions MicroPython UART example code Updated Thonny instructions Updated Project Generator instructions Added a FAQ document Added errata E7, E8 and E9
1.3.1	05 Mar 2021	<ul style="list-style-type: none"> Minor corrections To accompany the V1.1.0 release of the C SDK Improved MicroPython UART example Improved Pinout diagram
1.4	07 Apr 2021	<ul style="list-style-type: none"> Minor corrections Added errata E10 Note about how to update the C SDK from Github To accompany the V1.1.2 release of the C SDK

Release	Date	Description
1.4.1	13 Apr 2021	<ul style="list-style-type: none"> • Minor corrections • Clarified that all source code in the documentation is under the 3-Clause BSD license.
1.5	07 Jun 2021	<ul style="list-style-type: none"> • Minor updates and corrections • Updated FAQ • Added SDK release history • To accompany the V1.2.0 release of the C SDK
1.6	23 Jun 2021	<ul style="list-style-type: none"> • Minor updates and corrections • ADC information updated • Added errata E11
1.6.1	30 Sep 2021	<ul style="list-style-type: none"> • Minor updates and corrections • Information about B2 release • Updated errata for B2 release
1.7	03 Nov 2021	<ul style="list-style-type: none"> • Minor updates and corrections • Fixed some register access types and descriptions • Added core 1 launch sequence info • Described SDK "panic" handling • Updated picotool documentation • Additional examples added to Appendix A: App Notes appendix in the Raspberry Pi Pico C/C++ SDK book • To accompany the V1.3.0 release of the C SDK
1.7.1	04 Nov 2021	<ul style="list-style-type: none"> • Minor updates and corrections • Better documentation of USB double buffering • Picoprobe branch changes • Updated links to documentation
1.8	17 Jun 2022	<ul style="list-style-type: none"> • Minor updates and corrections • Updated setup instructions for Windows in Getting started with Raspberry Pi Pico • Additional explanation of SDK configuration • RP2040 now qualified to -40°C, minimum operating temperature changed from -20°C to -40°C • Increased PLL min VCO from 400MHz to 750MHz for improved stability across operating conditions • Added reflow-soldering temperature profile • Added errata E12, E13 and E14 • To accompany the V1.3.1 release of the C SDK

Release	Date	Description
1.9	30 Jun 2022	<ul style="list-style-type: none"> • Minor updates and corrections • Update to VGA board hardware description for launch of Raspberry Pi Pico W • To accompany the V1.4.0 release of the C SDK
Pico and Pico W databooks combined into a unified release history		
2.0	01 Dec 2022	<ul style="list-style-type: none"> • Minor updates and corrections • Added RP2040 availability information • Added RP2040 storage conditions and thermal characteristics • Replace SDK library documentation with links to the online version • Updated Picoprobe build and usage instructions
2.1	03 Mar 2023	<ul style="list-style-type: none"> • A large number of minor updates and corrections • SMT footprint of Pico W corrected • Updated for the 1.5.0 release of the Raspberry Pi Pico C SDK • Added errata E15 • Added documentation around the new Pico Windows Installer • Added documentation around the Pico-W-Go extension for Python development • Added a wireless networking example to the Python documentation • Added package marking specifications • Added RP2040 baseline power consumption figures • Added antenna keep out diagram to Pico W datasheet
2.2	14 Jun 2023	<ul style="list-style-type: none"> • Minor updates and corrections • Updated for the 1.5.1 release of the Raspberry Pi Pico C SDK • Documentation around Bluetooth support for Pico W

The latest release can be found at <https://datasheets.raspberrypi.com/pico/raspberrypi-pico-c-sdk.pdf>.



Raspberry Pi is a trademark of Raspberry Pi Ltd