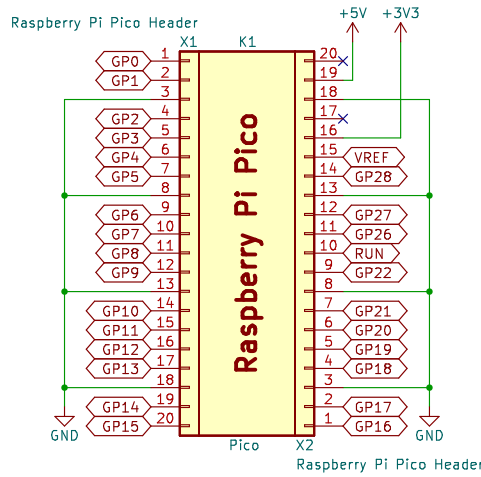
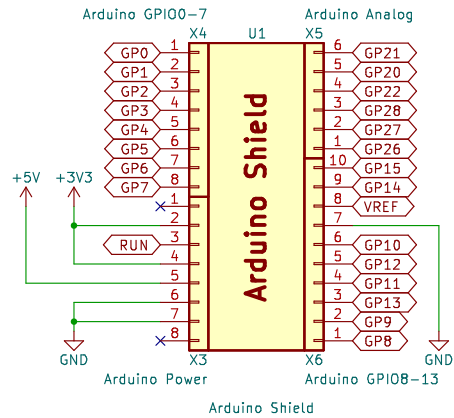


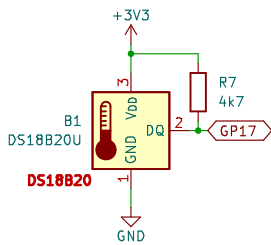
Raspberry Pi Pico Header



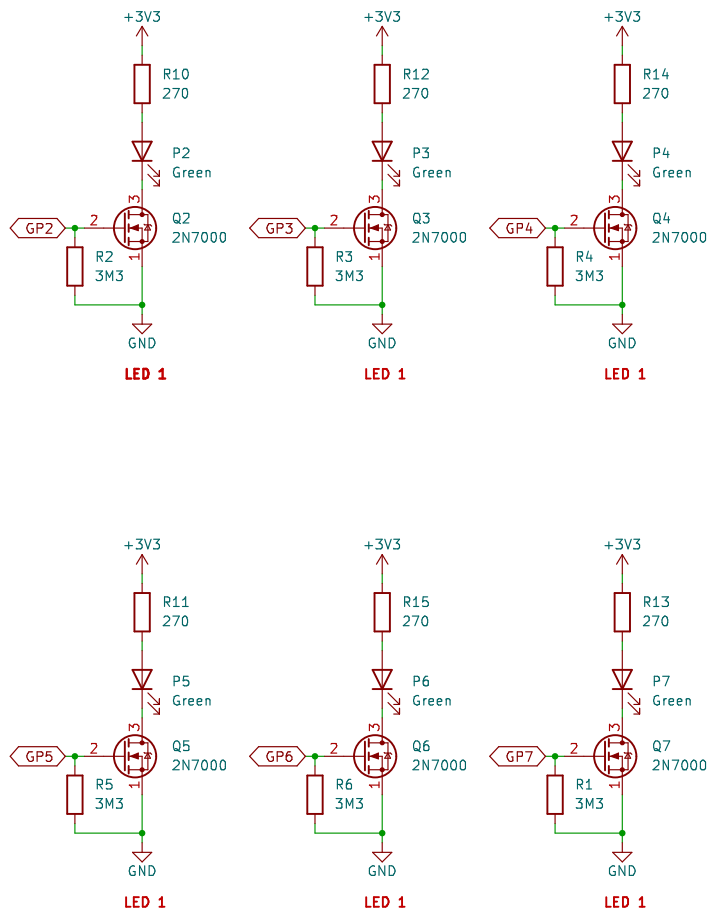
Arduino Header



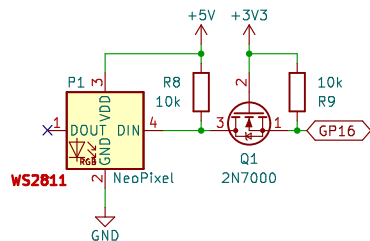
Temperature Sensor



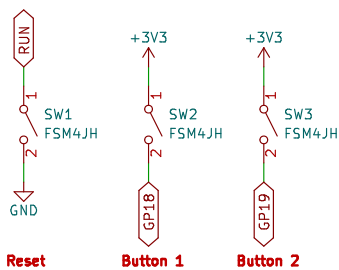
LEDs




NeoPixel



Buttons



Responsible dept. EMW ES-LAB	Technical reference DIN 40719-2, DIN EN 60664-1, DIN EN 61010-1	Created by Tobias Müller, M.Eng.	Approved by Tobias Müller M.Eng.
 HOCHSCHULE ANHALT University of Applied Sciences		Document type Schematic-Design	Document status ready to manufacture
		Title Raspberry Pi Pico Arduino Shield	Supplementary title Schematic
Rev. V1.0	Date of issue 2023-09-05	Lang. EN	Sheet 1/1