

1 2 3 4

A

A

B

B

C

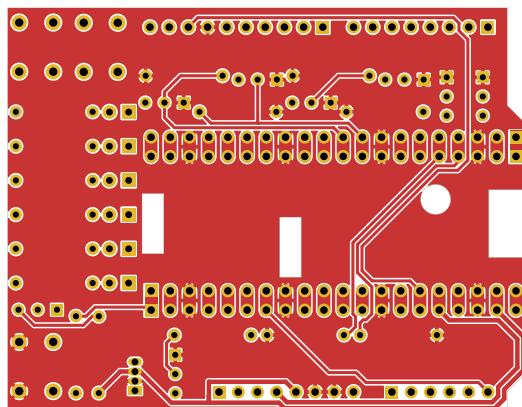
C

D

D


E

E



F

F

Responsible dept. EMW   ES-LAB	Technical reference DIN 40719-2, DIN EN 60664-1, DIN EN 61010-1	Created by Tobias Müller, M.Eng.	Approved by Tobias Müller, M.Eng.	
 <b>HOCHSCHULE ANHALT</b> University of Applied Sciences		Document type PCB-Design	Document status ready to manufacture	
		Title Raspberry Pi Pico Arduino Shield	Supplementary title <i>Printed Circuit Board</i>	
		Rev. V1.0	Date of issue 2023-09-05	Lang. EN

1 2 3 4

1 2 3 4

A

A

B

B

C

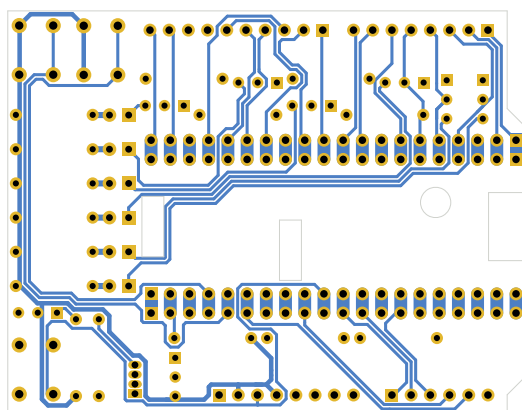
C

D

D


E

E



F

F

Responsible dept. EMW   ES-LAB	Technical reference DIN 40719-2, DIN EN 60664-1, DIN EN 61010-1	Created by Tobias Müller, M.Eng.	Approved by Tobias Müller, M.Eng.	
 <b>HOCHSCHULE ANHALT</b> University of Applied Sciences		Document type PCB-Design	Document status ready to manufacture	
		Title <b>Raspberry Pi Pico Arduino Shield</b>	Supplementary title <i>Printed Circuit Board</i>	
		Rev. V1.0	Date of issue 2023-09-05	Lang. EN

1 2 3 4

1 2 3 4

A

A

B

B

C

C

D

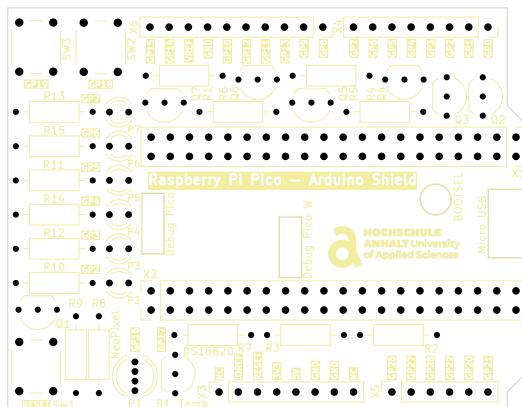
D

E

E

F

F



Responsible dept.  
EMW | ES-LAB

Technical reference  
DIN 40719-2, DIN EN 60664-1,  
DIN EN 61010-1

Created by  
Tobias Müller, M.Eng.

Approved by  
Tobias Müller, M.Eng.



Document type  
PCB-Design

Document status  
ready to manufacture

Title  
**Raspberry Pi Pico  
Arduino Shield**

Supplementary title  
**Printed Circuit Board**

Rev. V1.0	Date of issue 2023-09-05	Lang. EN	Sheet 1/1
--------------	-----------------------------	-------------	--------------

1 2 3 4

1 2 3 4

A

A

B

B

C

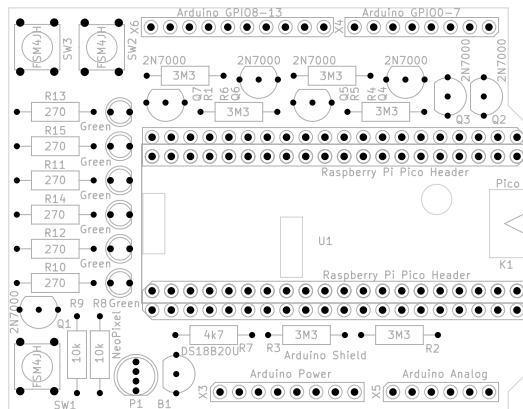
C

D

D

E

E



Responsible dept. EMW   ES-LAB	Technical reference DIN 40719-2, DIN EN 60664-1, DIN EN 61010-1	Created by Tobias Müller, M.Eng.	Approved by Tobias Müller, M.Eng.	
 <b>HOCHSCHULE ANHALT</b> University of Applied Sciences		Document type PCB-Design	Document status ready to manufacture	
		Title <b>Raspberry Pi Pico Arduino Shield</b>	Supplementary title <b>Printed Circuit Board</b>	
		Rev. V1.0	Date of issue 2023-09-05	Lang. EN

1 2 3 4

F

F