

1 2 3 4

A

A

B

B

C

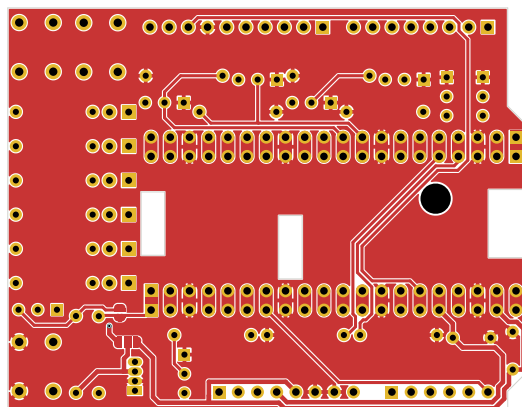
C

D

D

E

E



Responsible dept. EMW   ES-LAB	Technical reference DIN 40719-2, DIN EN 60664-1, DIN EN 61010-1	Created by Tobias Müller, M.Eng.	Approved by Tobias Müller, M.Eng.
-----------------------------------	---	-------------------------------------	--------------------------------------

 <p><b>HOCHSCHULE ANHALT</b> University of Applied Sciences</p>	Document type PCB-Design	Document status ready to manufacture
--	-----------------------------	---

 <p><b>HOCHSCHULE ANHALT</b> University of Applied Sciences</p>	Title <b>Raspberry Pi Pico Arduino Shield</b>	Supplementary title <b>Printed Circuit Board</b>		
--	--	---	--	--

Rev. V1.0	Date of issue 2023-09-11	Lang. EN	Sheet 1/1
--------------	-----------------------------	-------------	--------------

1 2 3 4

F

F

1 2 3 4

A

A

B

B

C

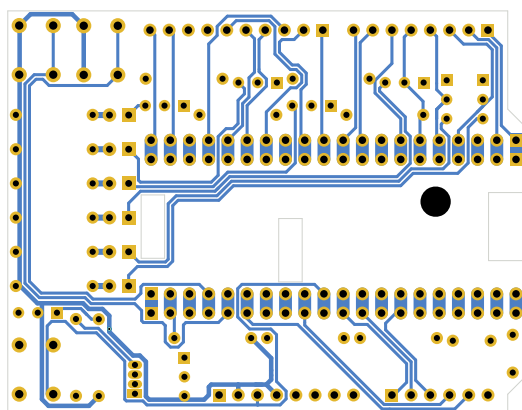
C

D

D


E

E



F

F

Responsible dept. EMW   ES-LAB	Technical reference DIN 40719-2, DIN EN 60664-1, DIN EN 61010-1	Created by Tobias Müller, M.Eng.	Approved by Tobias Müller, M.Eng.	
 <b>HOCHSCHULE ANHALT</b> University of Applied Sciences		Document type PCB-Design	Document status ready to manufacture	
		Title <b>Raspberry Pi Pico Arduino Shield</b>	Supplementary title <i>Printed Circuit Board</i>	
		Rev. V1.0	Date of issue 2023-09-11	Lang. EN

1 2 3 4

1 2 3 4

A

A

B

B

C

C

D

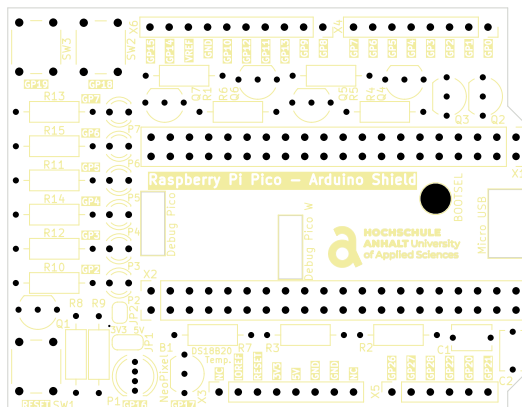
D

E


E

F

F



Responsible dept. EMW   ES-LAB	Technical reference DIN 40719-2, DIN EN 60664-1, DIN EN 61010-1	Created by Tobias Müller, M.Eng.	Approved by Tobias Müller, M.Eng.
-----------------------------------	---	-------------------------------------	--------------------------------------

 <p><b>HOCHSCHULE ANHALT</b> University of Applied Sciences</p>	Document type PCB-Design	Document status ready to manufacture						
	Title <b>Raspberry Pi Pico Arduino Shield</b>	Supplementary title <b>Printed Circuit Board</b>						
	<table border="1"> <tr> <td>Rev.</td> <td>Date of issue</td> <td>Lang.</td> <td>Sheet</td> </tr> <tr> <td>V1.0</td> <td>2023-09-11</td> <td>EN</td> <td>1/1</td> </tr> </table>	Rev.	Date of issue	Lang.	Sheet	V1.0	2023-09-11	EN
Rev.	Date of issue	Lang.	Sheet					
V1.0	2023-09-11	EN	1/1					

1 2 3 4

1 2 3 4

A

A

B

B

C

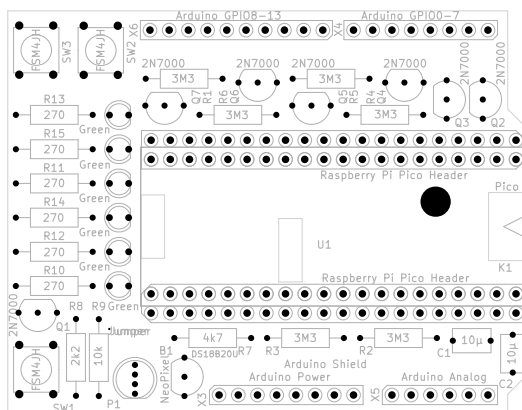
C

D

D

E

E



Responsible dept. EMW   ES-LAB	Technical reference DIN 40719-2, DIN EN 60664-1, DIN EN 61010-1	Created by Tobias Müller, M.Eng.	Approved by Tobias Müller, M.Eng.
-----------------------------------	---	-------------------------------------	--------------------------------------

 <b>HOCHSCHULE ANHALT</b> University of Applied Sciences	Document type PCB-Design	Document status ready to manufacture
---	-----------------------------	---

 <b>HOCHSCHULE ANHALT</b> University of Applied Sciences	Title <b>Raspberry Pi Pico Arduino Shield</b>	Supplementary title <b>Printed Circuit Board</b>
---	--	---

Rev. V1.0	Date of issue 2023-09-11	Lang. EN	Sheet 1/1
--------------	-----------------------------	-------------	--------------

1 2 3 4

F

F