

1 2 3 4

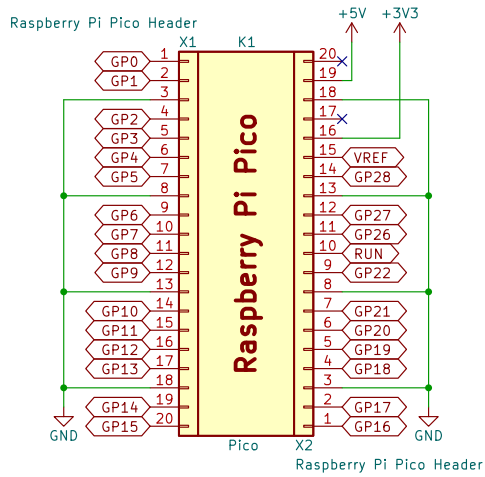
A

B

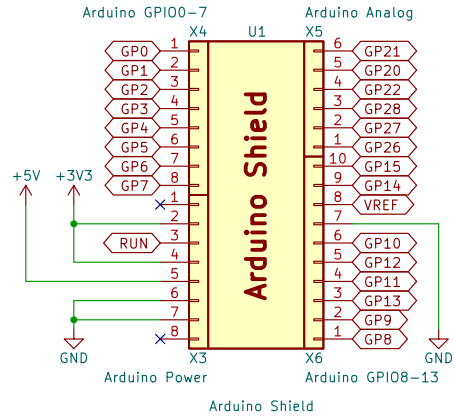
A

B

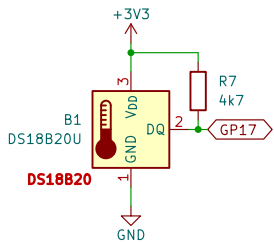
Raspberry Pi Pico Header



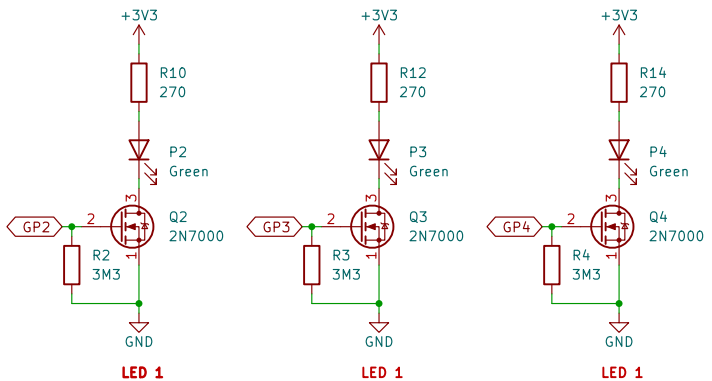
Arduino Header



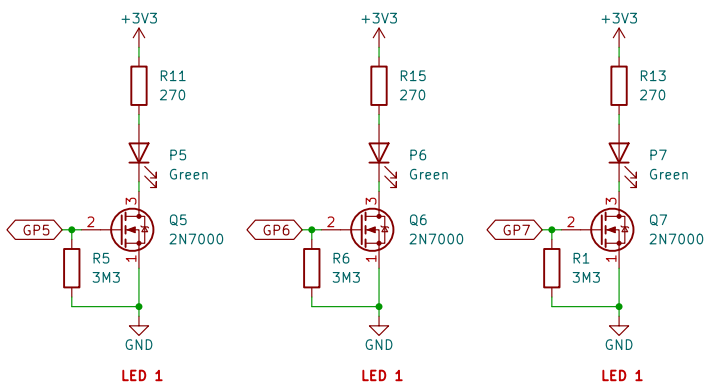
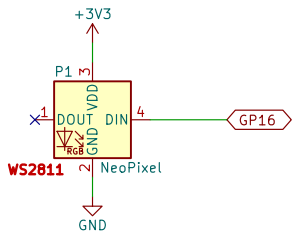
Temperature Sensor



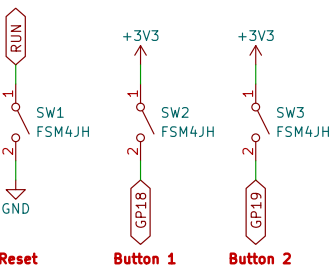
LEDs



NeoPixel



Buttons



Responsible dept. EMW ES-LAB	Technical reference DIN 40719-2, DIN EN 60664-1, DIN EN 61010-1	Created by Tobias Müller, M.Eng.	Approved by Tobias Müller M.Eng.
-----------------------------------	---	-------------------------------------	-------------------------------------

 HOCHSCHULE ANHALT University of Applied Sciences	Document type Schematic-Design	Document status ready to manufacture
---	-----------------------------------	---

 HOCHSCHULE ANHALT University of Applied Sciences	Title Raspberry Pi Pico Arduino Shield	Supplementary title Schematic
---	---	----------------------------------

Rev. V1.1	Date of issue 2024-08-20	Lang. EN	Sheet 1/1
--------------	-----------------------------	-------------	--------------

1 2 3 4

F

F