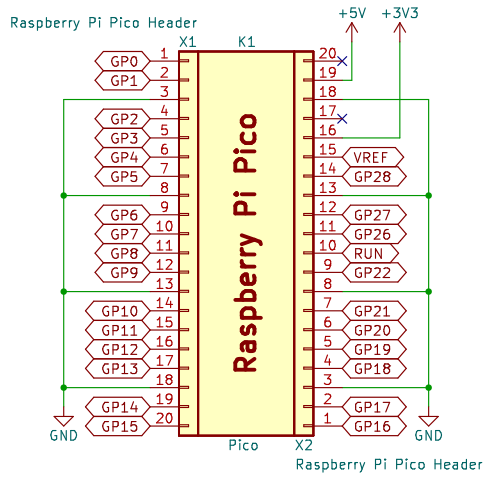


1 2 3 4

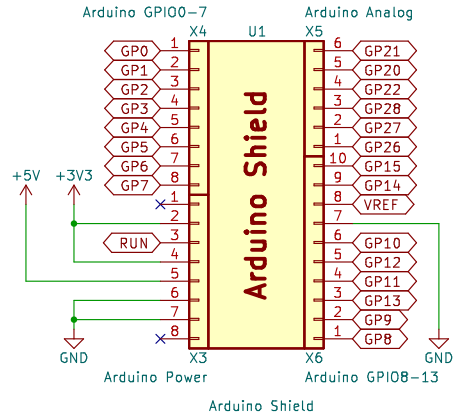
A

A

Raspberry Pi Pico Header



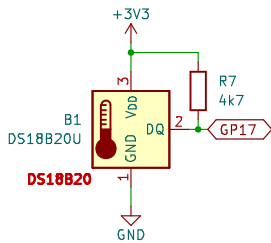
Arduino Header



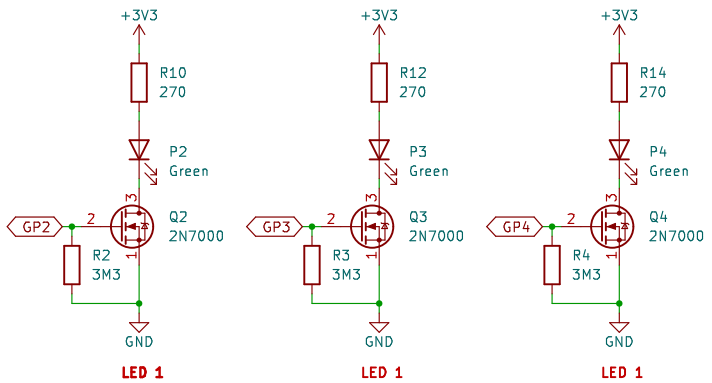
B

B

Temperature Sensor



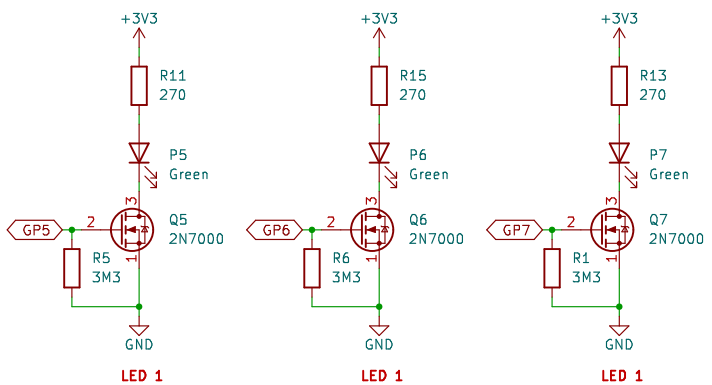
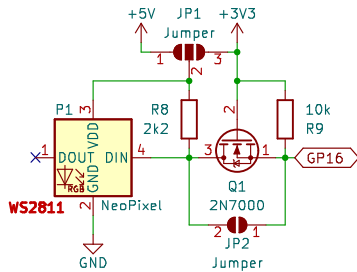
LEDs



C

C

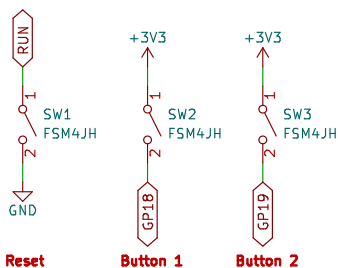
NeoPixel



D

D

Buttons



E

E

Responsible dept.
EMW | ES-LAB

Technical reference
DIN 40719-2, DIN EN 60664-1,
DIN EN 61010-1

Created by
Tobias Müller, M.Eng.

Approved by
Tobias Müller M.Eng.



HOCHSCHULE ANHALT University of Applied Sciences

Document type
Schematic-Design

Document status
ready to manufacture

Title
**Raspberry Pi Pico
Arduino Shield**

Supplementary title
Schematic

Rev.	Date of issue	Lang.	Sheet
V1.0	2023-09-11	EN	1/1

1 2 3 4

F

F